

4

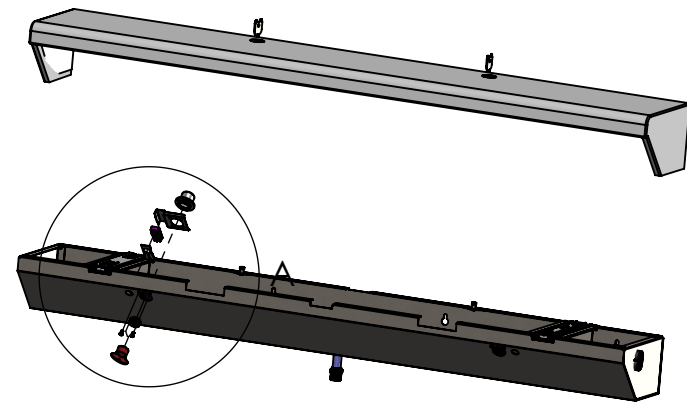
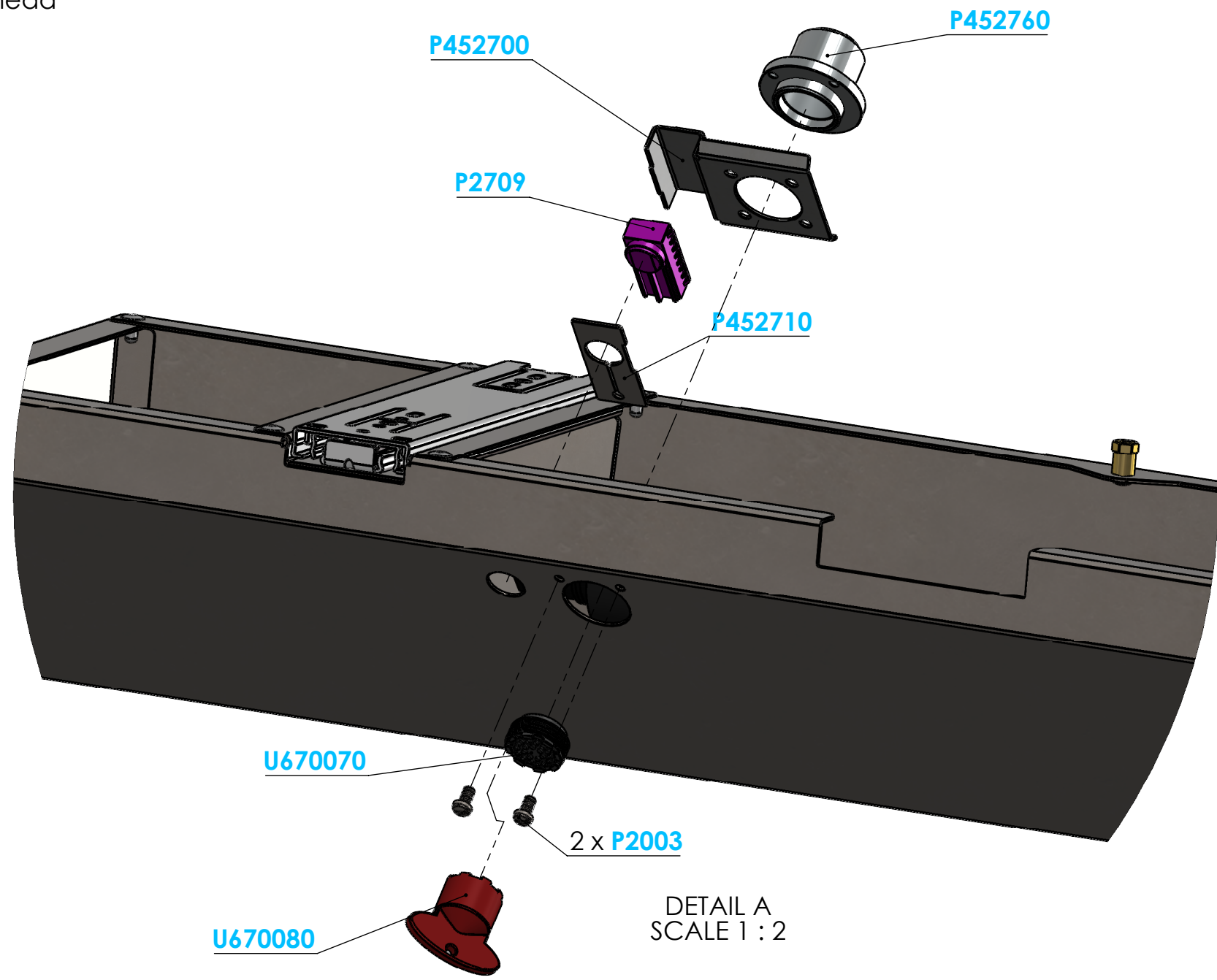
3

2

1

NOZZLE/SENSOR ASSEMBLY

- 1. There are 2 nozzle/assemblies per head
- 2. U670080 - only one (1) per lavatory



Request for Change

Name	Date
Change Requested	

	UNLESS OTHERWISE SPECIFIED:	NAME	DATE
	DIMENSIONS ARE IN INCHES	DRAWN	WH 10/18/2022
	TOLERANCES:	CHECKED	
	FRACTIONAL ±	MFG CHK	
ANGULAR: MACH ± BEND ±	File Location:		
TWO PLACE DECIMAL ±	MATERIAL		
THREE PLACE DECIMAL ±	Assembly		
INTERPRET GEOMETRIC TOLERANCING PER:	FINISH		
MATERIAL	COMMENTS:		
Assembly	DO NOT SCALE DRAWING		

TITLE:		
2-User Streamlav Legacy Head - Shell		
SIZE	DWG. NO.	REV
B	SL02HEADW	001
SCALE: 1:10	WEIGHT:	SHEET 1 OF 5

PROPRIETARY AND CONFIDENTIAL

THE INFORMATION CONTAINED IN THIS DRAWING IS THE SOLE PROPERTY OF PSD LLC. ANY REPRODUCTION IN PART OR AS A WHOLE WITHOUT THE WRITTEN PERMISSION OF PSD LLC IS PROHIBITED.

4

3

2

1

B

B

A

A

4

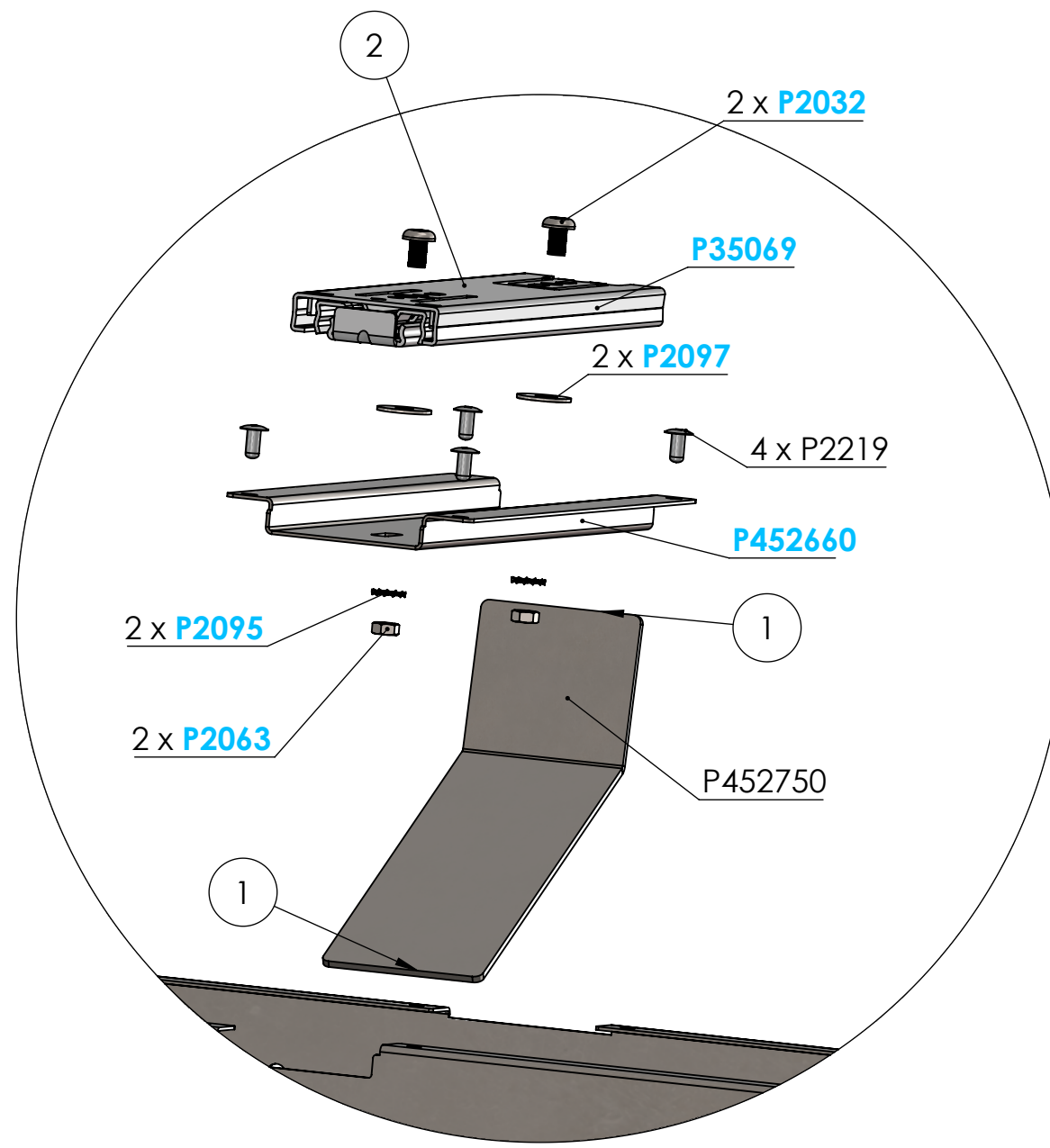
3

2

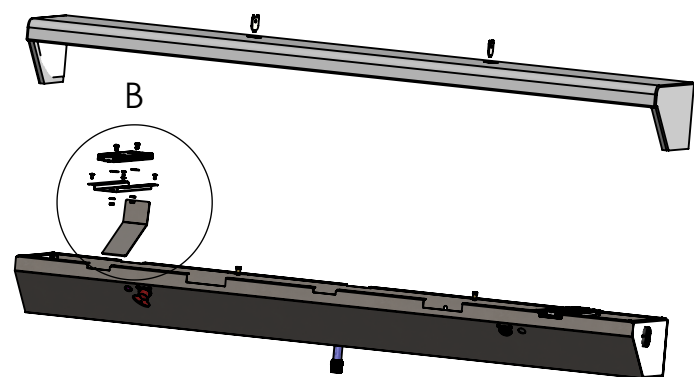
1

SLIDER ASSEMBLY

1. Use SILCO ET-5500 to attach to shell
2. Use SILCO ET-5500 to attach slider to the P452670 on the top of the head
3. Wedge P452740 in the shell under P452660




DETAIL B
SCALE 1 : 2



Request for Change

Name	Date
------	------

Change Requested

	UNLESS OTHERWISE SPECIFIED:	NAME	DATE	TITLE: 2-User Streamlav Legacy Head - Shell	
	DIMENSIONS ARE IN INCHES	DRAWN	WH		10/18/2022
	TOLERANCES: FRACTIONAL ± ANGULAR: MACH ± BEND ± TWO PLACE DECIMAL ± THREE PLACE DECIMAL ±	CHECKED			
	INTERPRET GEOMETRIC TOLERANCING PER: MATERIAL Assembly	MFG CHK			
PROPRIETARY AND CONFIDENTIAL THE INFORMATION CONTAINED IN THIS DRAWING IS THE SOLE PROPERTY OF PSD LLC. ANY REPRODUCTION IN PART OR AS A WHOLE WITHOUT THE WRITTEN PERMISSION OF PSD LLC IS PROHIBITED.	FINISH DO NOT SCALE DRAWING	File Location:	COMMENTS:	SIZE B	
				DWG. NO. SL02HEADW	
				REV 001	
				SCALE: 1:10 WEIGHT: SHEET 2 OF 5	

4

3

2

1

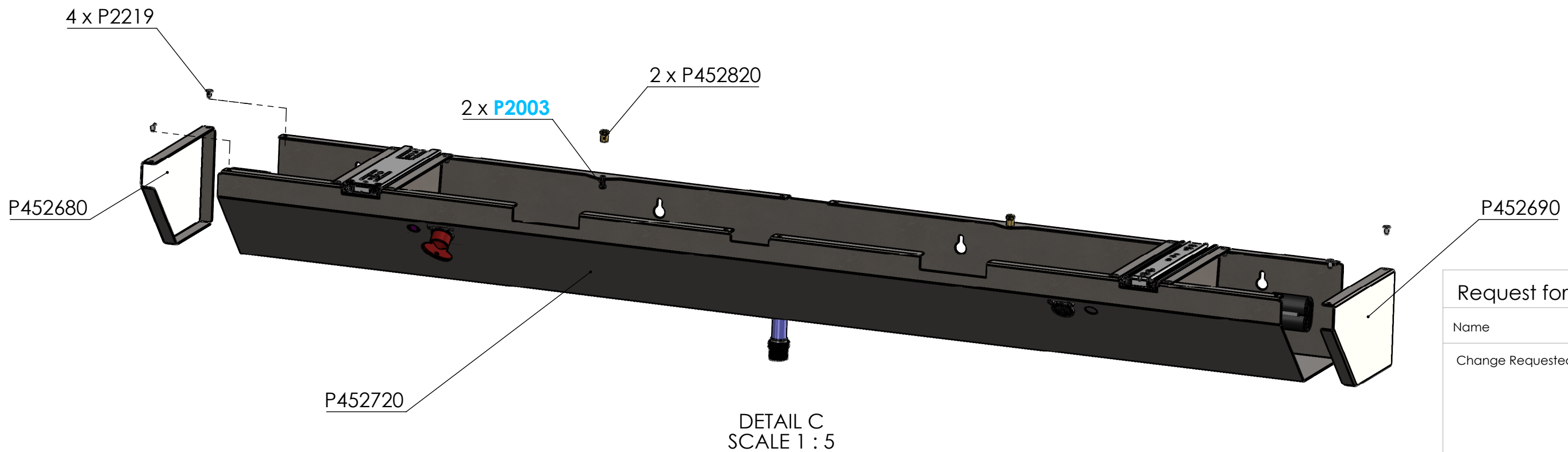
B

B

A

A

SHELL ASSEMBLY

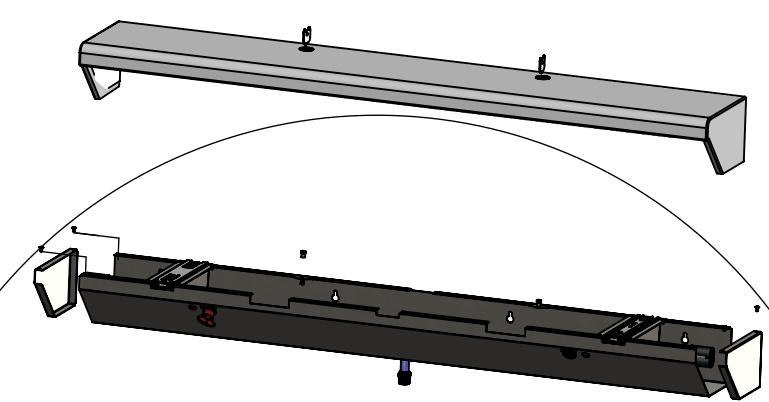


B

B

A

A



Request for Change	
Name	Date
Change Requested	
TITLE:	
2-User Streamlav Legacy Head - Shell	
SIZE	DWG. NO.
B	SL02HEADW
REV	001
SCALE: 1:10	WEIGHT:
SHEET 3 OF 5	

<p>PROPRIETARY AND CONFIDENTIAL</p> <p>THE INFORMATION CONTAINED IN THIS DRAWING IS THE SOLE PROPERTY OF PSD LLC. ANY REPRODUCTION IN PART OR AS A WHOLE WITHOUT THE WRITTEN PERMISSION OF PSD LLC IS PROHIBITED.</p>	UNLESS OTHERWISE SPECIFIED:	NAME	DATE
	DIMENSIONS ARE IN INCHES	DRAWN	WH 10/18/2022
	TOLERANCES:	CHECKED	
	FRACTIONAL ±	MFG CHK	
ANGULAR: MACH ± BEND ±	File Location:		
TWO PLACE DECIMAL ±			
THREE PLACE DECIMAL ±			
INTERPRET GEOMETRIC TOLERANCING PER:			
MATERIAL	Assembly		
FINISH			
DO NOT SCALE DRAWING	COMMENTS:		

4

3

2

1

4

3

2

1

4

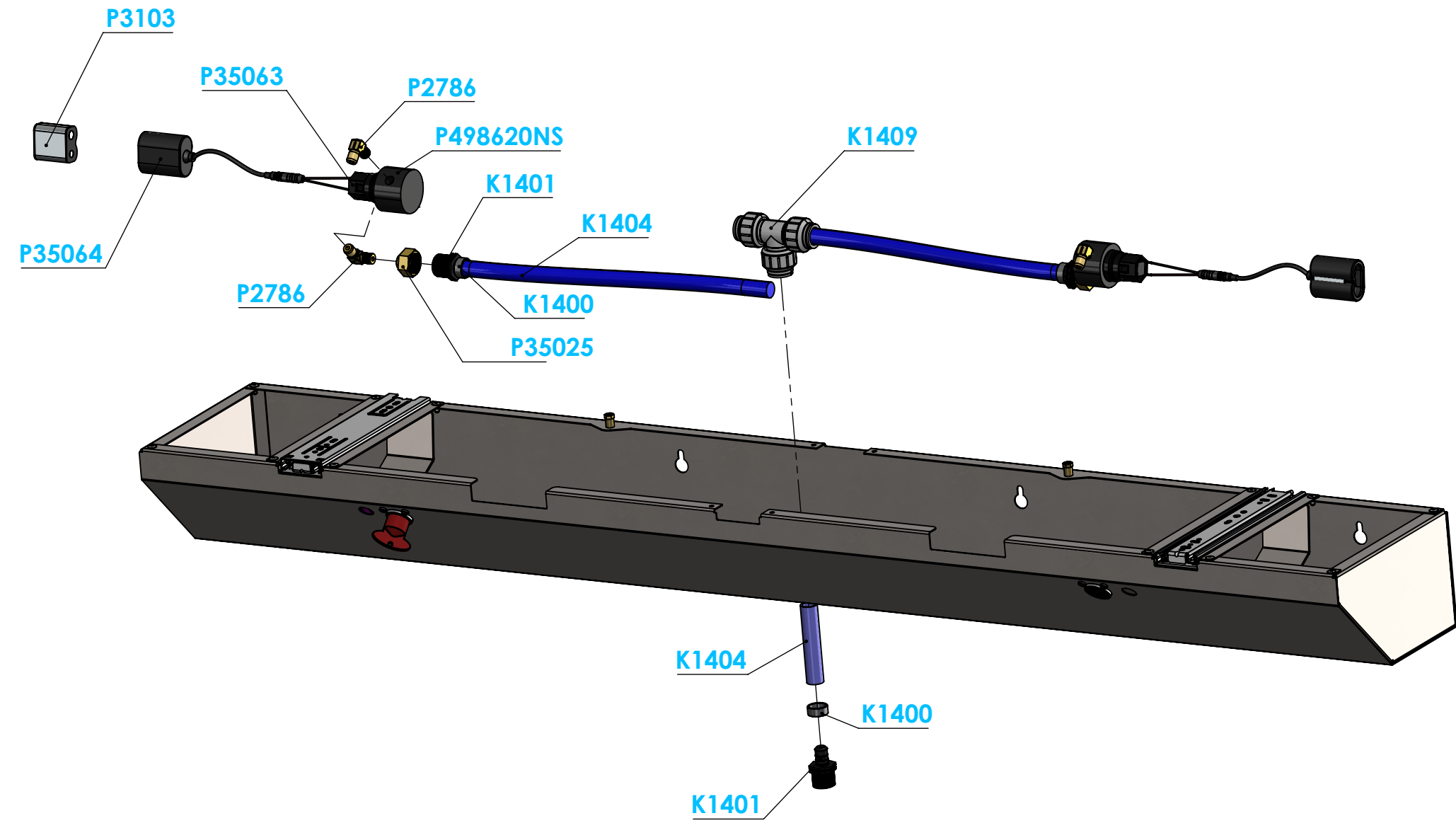
3

2

1

B

B




A

A

Request for Change

Name	Date
------	------

Change Requested

	UNLESS OTHERWISE SPECIFIED:	NAME	DATE	TITLE: 2-User Streamlax Legacy Head - Shell	
	DIMENSIONS ARE IN INCHES	DRAWN	WH		10/18/2022
	TOLERANCES:	CHECKED			
	FRACTIONAL ± ANGULAR: MACH ± BEND ± TWO PLACE DECIMAL ± THREE PLACE DECIMAL ±	MFG CHK			
PROPRIETARY AND CONFIDENTIAL	INTERPRET GEOMETRIC TOLERANCING PER:	File Location:		SIZE DWG. NO. REV B SL02HEADW 001	
	MATERIAL	Assembly			
	FINISH	COMMENTS:			
THE INFORMATION CONTAINED IN THIS DRAWING IS THE SOLE PROPERTY OF PSD LLC. ANY REPRODUCTION IN PART OR AS A WHOLE WITHOUT THE WRITTEN PERMISSION OF PSD LLC IS PROHIBITED.		DO NOT SCALE DRAWING		SCALE: 1:10 WEIGHT: SHEET 4 OF 5	

4

3

2

1



PART NUMBER	DESCRIPTION	QTY.
K1400	1/2" Crimp Ring	3
K1401	1/2" MIP x 1/2" PEX Barb Adaptor	3
K1404	Blue Water Tubing	2.5
K1409	CTS JG Twist & Lock 1/2" Union Tee Fitting	1
P2003	M4-.7 X 8 Cheese Head Slotted Machine Screw A2 Stainless Steel	8
P2031	M5-.8 x 6 Button Head Socket Cap Screw 18.8 Stainless Steel	2
P2032	Screw LBKS M5 X 8 - ISO 7380 INOX	4
P2063	M4-.7 Hex Jam Nut	4
P2095	18-8 Stainless Steel External-Tooth Lock Washer	4
P2097	3/16" x 11/16" Fender Washer	4
P2219	18-8 Stainless Steel Blind Rivets	12
P2709	6V Sensor	2
P2786	Serto Elbow	4
P2876	Rubber o-ring seal for lock	2
P3103	CR-P2 6V Battery	2
P35025	Nipple 1/2F x 1/8F	2
P35063	6V solenoid for sensor units	2
P35064	Battery holder for 6V lithium battery	2
P35069	Telescopic Drawer Slide for Streamlav Head	2
P426830	Brass Inside Nut For IH-Pushbutton	2
P452660	Bracket for Mounting Telescopic Glide Rail Streamlav head	2
P452670	Streamlav Head Mounting Plate	2
P452680	Left Side Streamlav Head	1
P452690	Right Side Streamlav Head	1
P452700	Sensor Bracket Streamlav	2
P452710	Under Sensor Streamlav	2
P452720	Shell for Streamlav Legacy head	1
P452740	Mounting Support Bracket Streamlav Head	4
P452750	Head Support Streamlav	2
P452760	Nozzle Nipple Streamlav Head	2
P452780	Lock Ring Outside Streamlav Head	2
P452790	Lock Ring Inside Streamlav Head	2
P452810	Lock Latch Streamlav Head	2
P452820	Lock Pin Streamlav Head	2
P498200	Lock Ring	2
P498210	Key for lock	2
P498620NS	No Soap Valve Body Muller	2
U650030	Side Support Plate For Streamlav Water Distribution Head - Right	1
U650040	Side Support Plate For Streamlav Water Distribution Head - Left	1
U670070	0.35 gpm spray nozzle for Streamlav water distribution head	2
U670080	Key for Streamlav aerator	1

Request for Change

Name	Date
------	------

Change Requested

TITLE:

2-User Streamlav Legacy Head - Shell

SIZE	DWG. NO.	REV
B	SL02HEADW	001
SCALE: 1:10	WEIGHT:	SHEET 5 OF 5



PROPRIETARY AND CONFIDENTIAL

THE INFORMATION CONTAINED IN THIS DRAWING IS THE SOLE PROPERTY OF PSD LLC. ANY REPRODUCTION IN PART OR AS A WHOLE WITHOUT THE WRITTEN PERMISSION OF PSD LLC IS PROHIBITED.

UNLESS OTHERWISE SPECIFIED:	NAME	DATE
DIMENSIONS ARE IN INCHES	WH	10/18/202
TOLERANCES:		
FRACTIONAL ±	DRAWN	
ANGULAR: MACH ± BEND ±	CHECKED	
TWO PLACE DECIMAL ±	MFG CHK	
THREE PLACE DECIMAL ±		
INTERPRET GEOMETRIC TOLERANCING PER:	File Location:	
MATERIAL		
Assembly		
FINISH	COMMENTS:	
DO NOT SCALE DRAWING		

4

3

2

1

B

B

A

A