

4

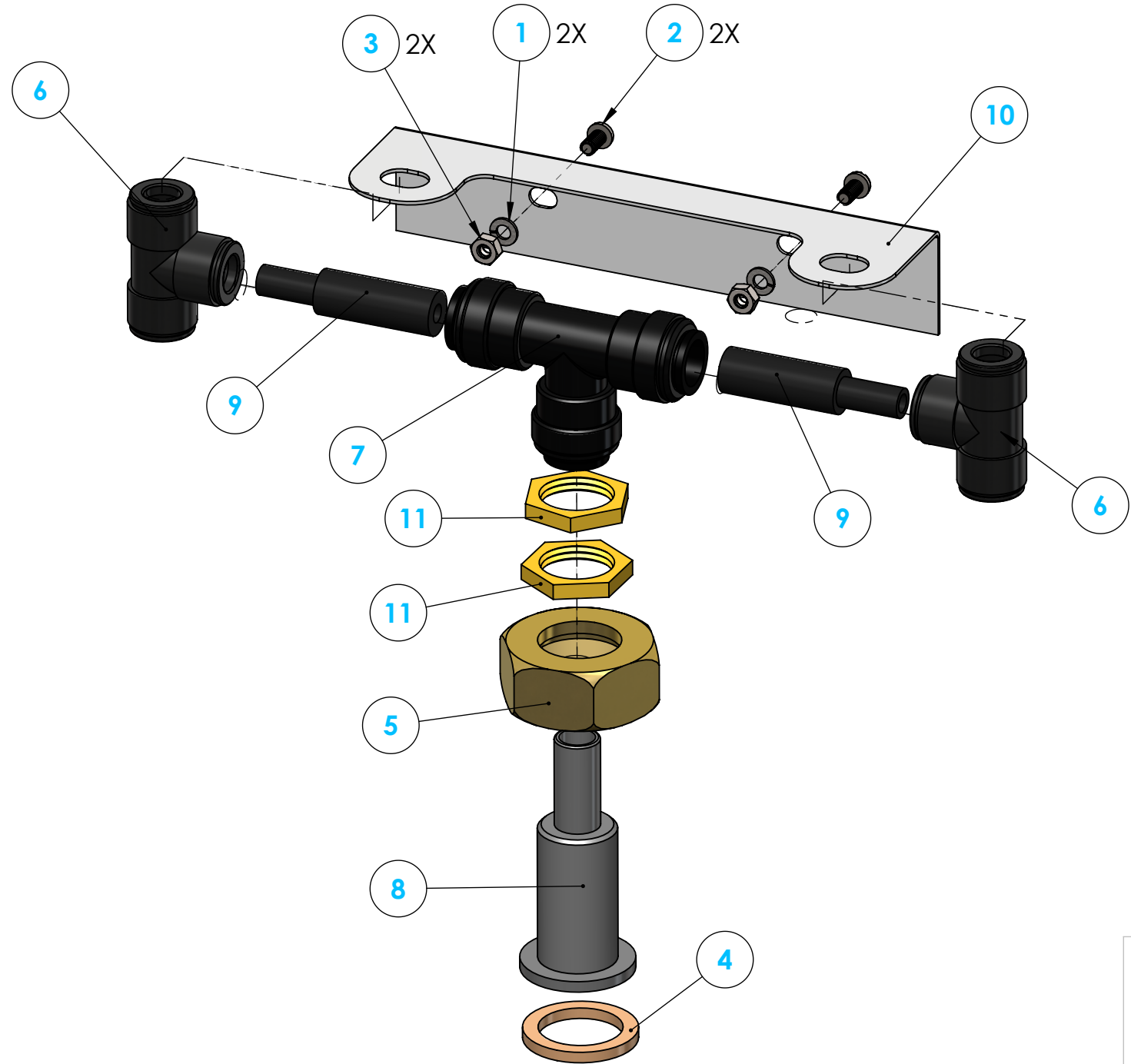
3

2

1

B

B



ITEM NO.	PART NUMBER	DESCRIPTION	QTY.
1	P2091	Washer AZ 4 DIN 127 Stainless	2
2	P2003	M4-.7 x 8 Cheese Head Slotted Stainless Machine Screw	2
3	P2063	M4-.7 Hex Jam Nut	2
4	P2185	White Nylon Crush Washer 1"	1
5	P2814	TMV Nut 1"	1
6	P35041	Quick Connect Tee 8 mm	2
7	P35042	12 mm Quick Connect Tee	1
8	P405020	Stem Connector 1" x 12mm	1
9	P405080	Stem Connector Reducer 12 mm to 8 mm	2
10	P454310	Bridge for Sanifount Water Manifold	1
11	P498250	Flat Nut 1/2 Wg	2

A

A

### Request for Change

Name \_\_\_\_\_ Date \_\_\_\_\_

Change Requested

	UNLESS OTHERWISE SPECIFIED:	NAME	DATE
	DIMENSIONS ARE IN INCHES TOLERANCES: FRACTIONAL ± ANGULAR: MACH ± BEND ± TWO PLACE DECIMAL ± THREE PLACE DECIMAL ±	DRAWN	WH
<b>PROPRIETARY AND CONFIDENTIAL</b>  THE INFORMATION CONTAINED IN THIS DRAWING IS THE SOLE PROPERTY OF PSD LLC. ANY REPRODUCTION IN PART OR AS A WHOLE WITHOUT THE WRITTEN PERMISSION OF PSD LLC IS PROHIBITED.	INTERPRET GEOMETRIC TOLERANCING PER:	CHECKED	
	MATERIAL Assembly	MFG CHK	
	FINISH	File Location:	
	DO NOT SCALE DRAWING	COMMENTS:	

TITLE:  
**Water Manifold for 4-User Sanifount**

SIZE <b>B</b>	DWG. NO. SF4MANIF	REV 001
SCALE: 1:5	WEIGHT:	SHEET 1 OF 1

4

3

2

1