

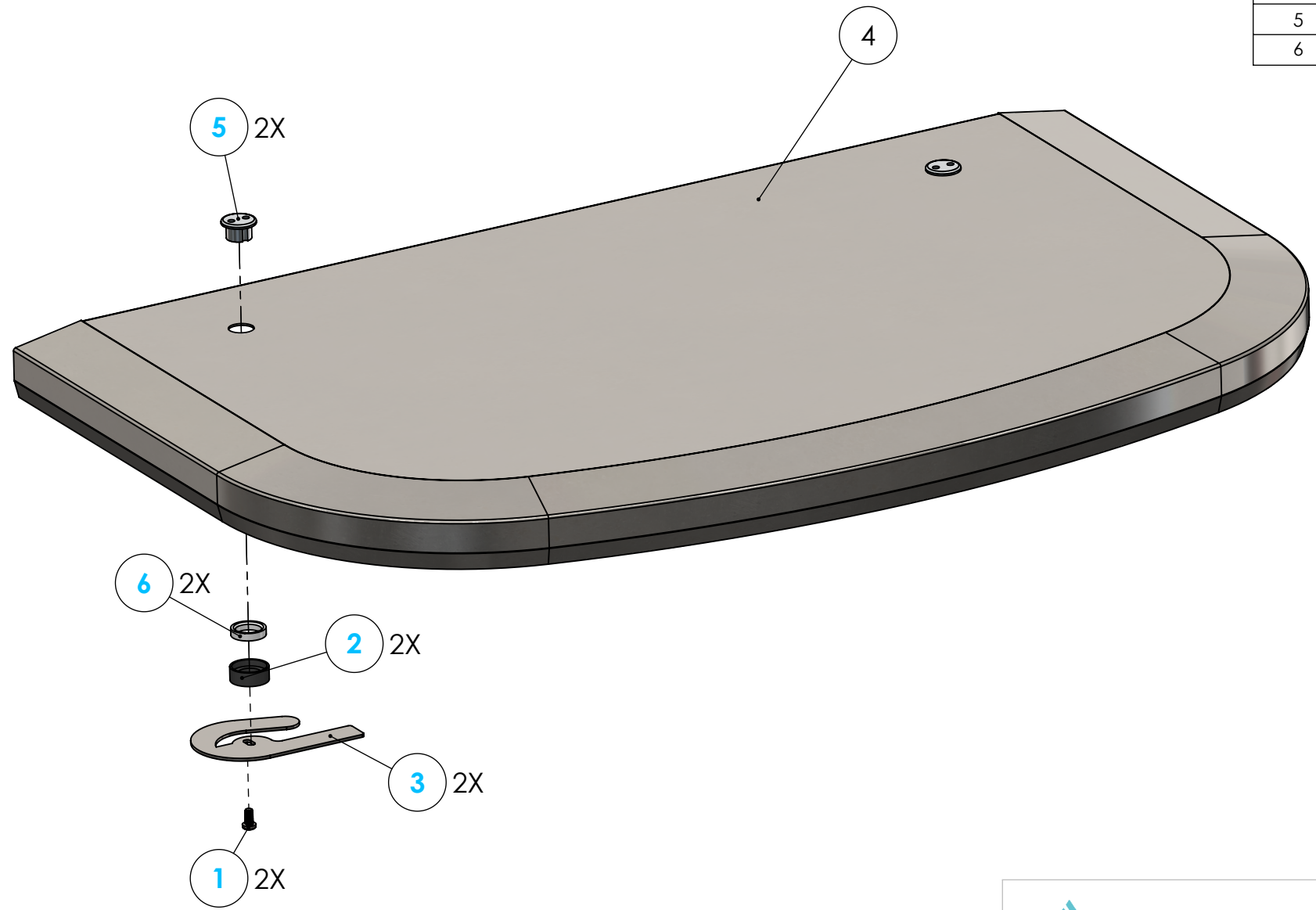
4

3

2


1

ITEM NO.	PART NUMBER	DESCRIPTION	QTY.
1	P2003	M4-.7 x 8 Cheese Head Slotted Stainless Machine Screw	2
2	P2876	Rubber O-ring Seal for Lock	2
3	P455260	Sanifount Lockl Lever	2
4	P456220	Lid Assembly for 4-User Sanifount	1
5	P498190	Lock Holder	2
6	P498200	Lock Ring	2



Request for Change

Name	Date
Change Requested	

	UNLESS OTHERWISE SPECIFIED:	NAME	DATE	TITLE: Lid Assembly for 4-User Sanifount
	DIMENSIONS ARE IN INCHES	DRAWN	WH	
TOLERANCES:	CHECKED			
FRACTIONAL ±	MFG CHK			
ANGULAR: MACH ± BEND ±	File Location:			
TWO PLACE DECIMAL ±	MATERIAL		Assembly	
THREE PLACE DECIMAL ±	FINISH			
PROPRIETARY AND CONFIDENTIAL THE INFORMATION CONTAINED IN THIS DRAWING IS THE SOLE PROPERTY OF PSD LLC. ANY REPRODUCTION IN PART OR AS A WHOLE WITHOUT THE WRITTEN PERMISSION OF PSD LLC IS PROHIBITED.	INTERPRET GEOMETRIC TOLERANCING PER: DO NOT SCALE DRAWING	COMMENTS:		

SIZE	DWG. NO.	REV
B	SF4LID	001
SCALE: 1:10	WEIGHT:	SHEET 1 OF 1

4

3

2

1

B

B

A

A