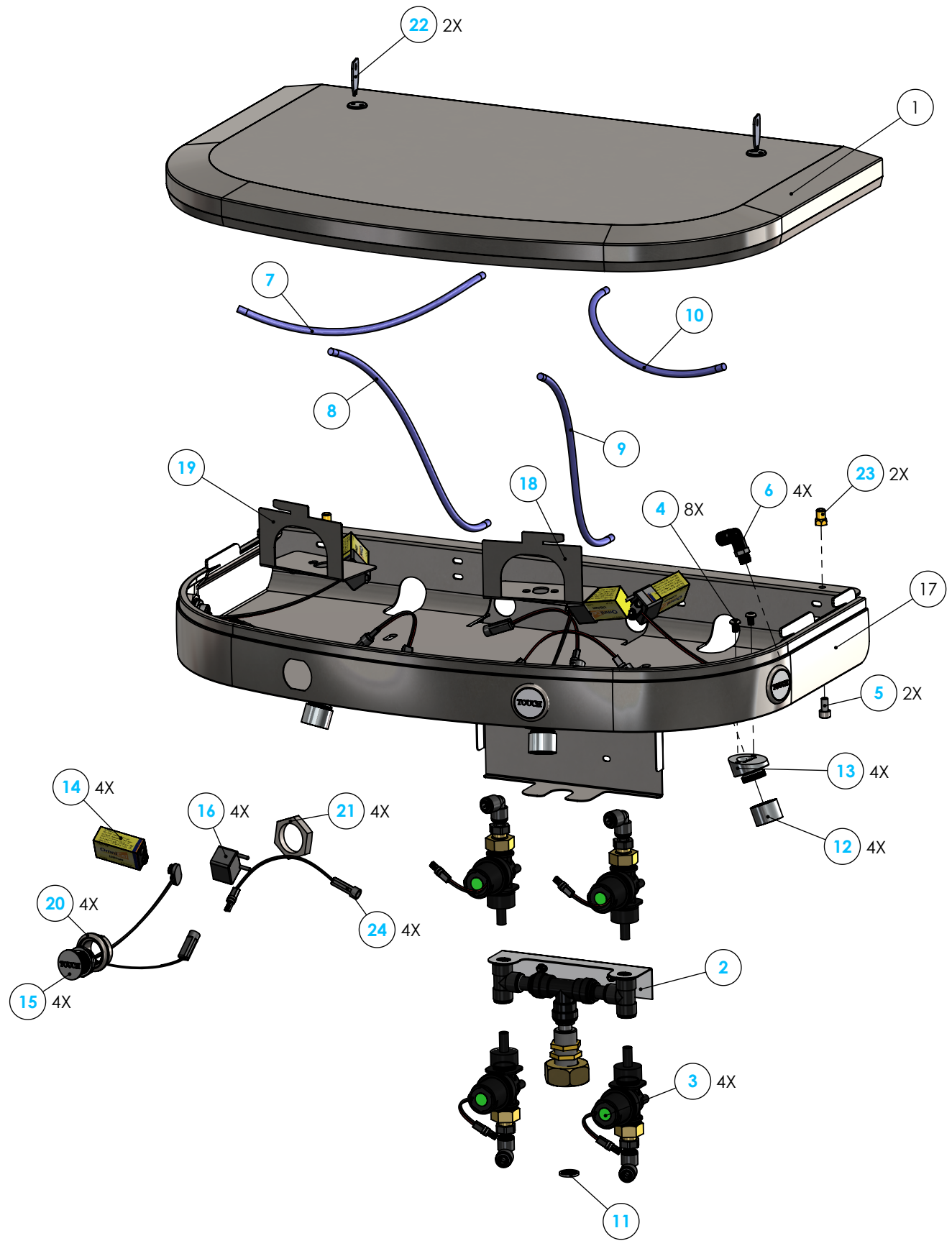


4

3

2

1



ITEM NO.	PART NUMBER	DESCRIPTION	QTY.
1	SF4LID	Lid for 4-User Sanifount	1
2	SF4MANIF	Water Manifold for 4-User Sanifount	1
3	SFPZVALVE	Solenoid Assembly for Piezo Sanifount	4
4	P2032	Screw LBKS M5 x 8 - Stainless	8
5	P2043	Stainless Allen Screw M6 x 12	2
6	P2470	Quick Connect 6 mm Water Tube Elbow	4
7	P2788	PA Water Tubing M6	1.5
8	P2788	PA Water Tubing M6	3.8
9	P2788	PA Water Tubing M6	3.8
10	P2788	PA Water Tubing M6	1.5
11	P2904	Screen Washer	1
12	P2929	0.5 gpm aerator	4
13	P2939	Sanifount IH Nozzle Adaptor	4
14	P3100	9V Lithium Battery	4
15	P35005	Piezo Button with 9V Connector	4
16	P35006	9V Battery Cover	4
17	P456810	Shell for 4-User Sanifount Pushbutton Head	1
18	P456830L	Left Slotcam for 4-User Sanifount Pushbutton Head	1
19	P456830R	Right Slotcam for 4-User Pushbutton Head	1
20	P483400	Stainless Escutcheon for Piezo Button	4
21	P483410	Stainless Escutcheon Nut for Piezo Button	4
22	P498210	Key for AquaDesign Locks	2
23	P498360	Brass Pin for Sanifount Lock	2
24	U101004	100 mm Piezo Extension Cable	4

Request for Change

Name	Date
Change Requested	

UNLESS OTHERWISE SPECIFIED:

DIMENSIONS ARE IN INCHES

TOLERANCES:

FRACTIONAL ±

ANGULAR: MACH ± BEND ±

TWO PLACE DECIMAL ±

THREE PLACE DECIMAL ±

<p>PROPRIETARY AND CONFIDENTIAL</p> <p>THE INFORMATION CONTAINED IN THIS DRAWING IS THE SOLE PROPERTY OF PSD LLC. ANY REPRODUCTION IN PART OR AS A WHOLE WITHOUT THE WRITTEN PERMISSION OF PSD LLC IS PROHIBITED.</p>	INTERPRET GEOMETRIC TOLERANCING PER:	MATERIAL	FINISH	NAME	DATE
	Assembly			WH	12/7/2021
	DO NOT SCALE DRAWING	File Location:	COMMENTS:		

TITLE:		
4-User Sanifount Piezo Head		
SIZE	DWG. NO.	REV
B	SF4HEADPZ	001
SCALE: 1:20	WEIGHT:	SHEET 1 OF 1

4

3

2

1