

4

3

2

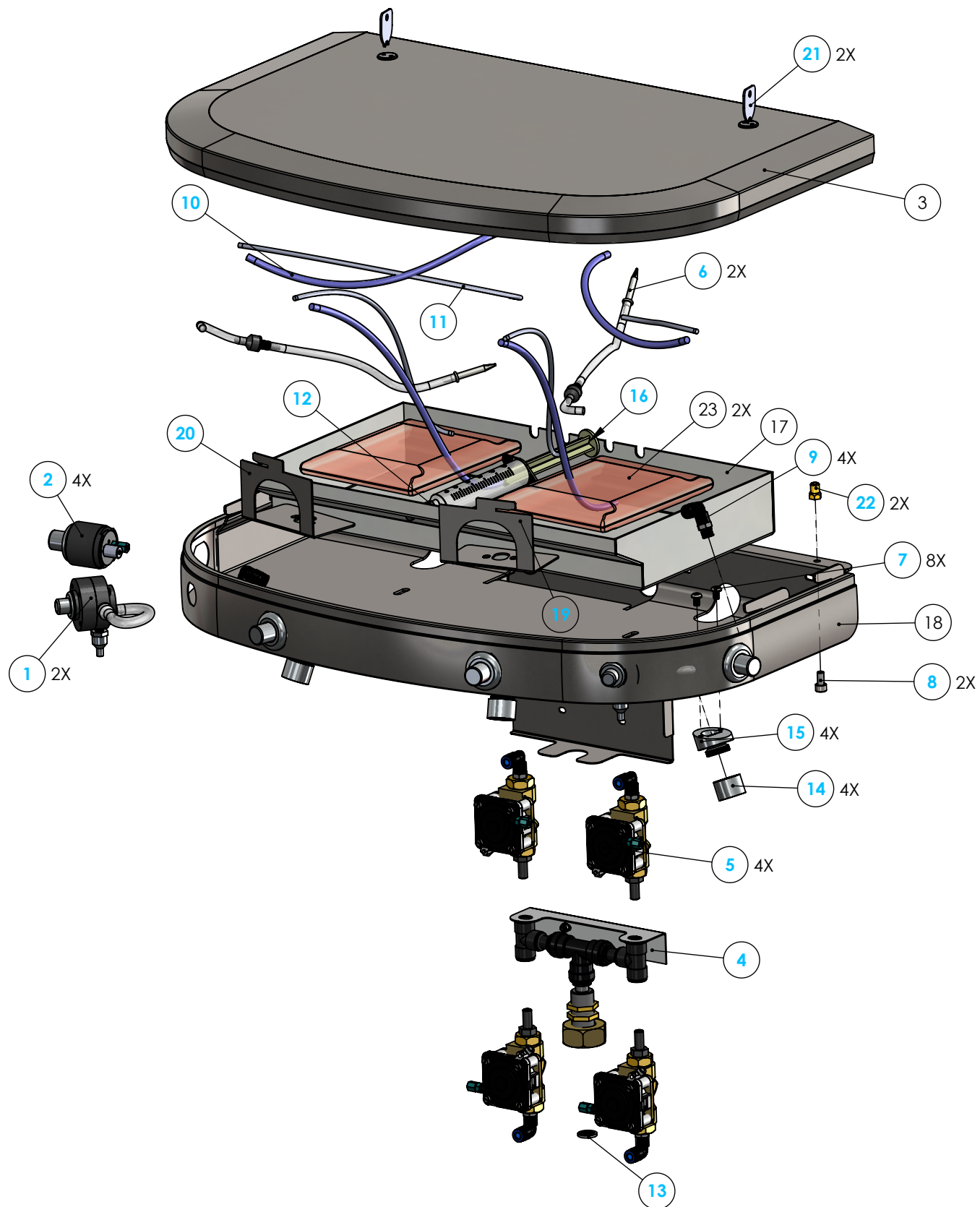
1

B

B

A

A



ITEM NO.	PART NUMBER	DESCRIPTION	QTY.
1	PBSOAP	Soap Pushbutton Sanifount	2
2	PBWATER	Water Pushbutton Sanifount	4
3	SF4LID	Lid for 4-User Sanifount	1
4	SF4MANIF	Water Manifold for 4-User Sanifount	1
5	SFPBVALVE	Valve Assembly for Pushbutton Sanifount	4
6	SFSOAPTUB	Soap Tubing Assembly - Valve to Bag	2
7	P2032	Screw LBKS M5 x 8 - Stainless	8
8	P2043	Stainless Allen Screw M6 x 12	2
9	P2470	Quick Connect 6 mm Water Tube Elbow	4
10	P2788	PA Water Tubing M6	10.6
11	P2869	Air Tubing	10.6
12	P2894	Rubber for Soap Syringe	1
13	P2904	Screen Washer	1
14	P2929	0.5 gpm aerator	4
15	P2939	Sanifount IH Nozzle Adaptor	4
16	P3015	Syringe	1
17	P456700	Soap Tray for 4-User Sanifount - DISCONTINUED	1
18	P456820	4-User Shell for Pushbutton Water and Soap Sanifount Head	1
19	P456830L	Left Slotcam for 4-User Sanifount Pushbutton Head	1
20	P456830R	Right Slotcam for 4-User Pushbutton Head	1
21	P498210	Key for AquaDesign Locks	2
22	P498360	Brass Pin for Sanifount Lock	2
23	SOAPHL1L	1 Liter Soap Bag - DISCONTINUED	2

Request for Change

Name	Date
Change Requested	

	UNLESS OTHERWISE SPECIFIED:	NAME	DATE	TITLE: 4-User Sanifount Pushbutton Water and Soap Head
	DIMENSIONS ARE IN INCHES TOLERANCES: FRACTIONAL ± ANGULAR: MACH ± BEND ± TWO PLACE DECIMAL ± THREE PLACE DECIMAL ±	DRAWN CHECKED MFG CHK	WH	
PROPRIETARY AND CONFIDENTIAL THE INFORMATION CONTAINED IN THIS DRAWING IS THE SOLE PROPERTY OF PSD LLC. ANY REPRODUCTION IN PART OR AS A WHOLE WITHOUT THE WRITTEN PERMISSION OF PSD LLC IS PROHIBITED.	INTERPRET GEOMETRIC TOLERANCING PER: MATERIAL Assembly FINISH	File Location: COMMENTS:		SIZE B DWG. NO. SF4HEADML REV 001
	DO NOT SCALE DRAWING			SCALE: 1:20 WEIGHT: SHEET 1 OF 1

4

3

2

1