

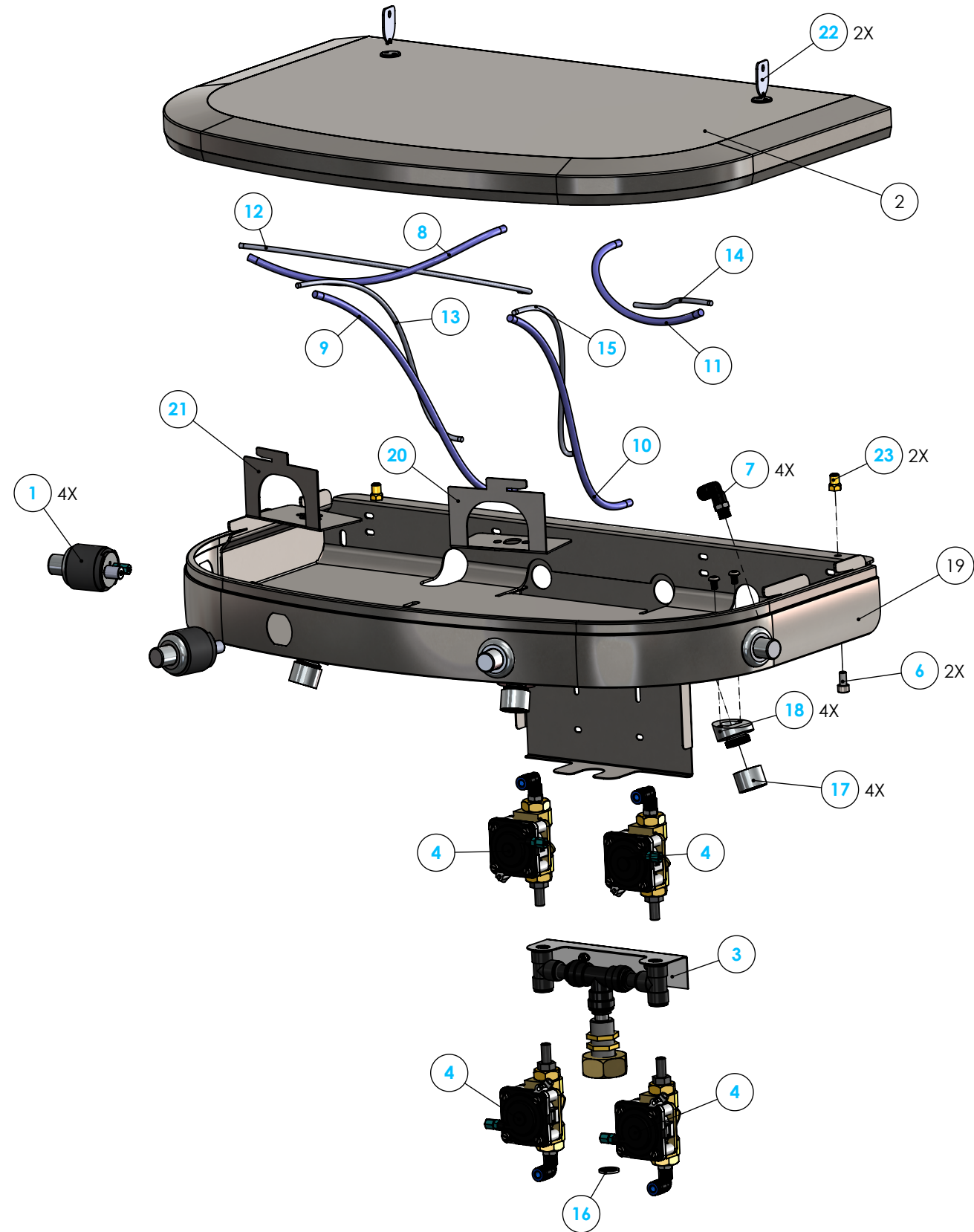
4

3

2

1

ITEM NO.	PART NUMBER	DESCRIPTION	QTY.
1	PBWATER	Water Pushbutton Sanifount	4
2	SF4LID	Lid for 4-User Sanifount	1
3	SF4MANIF	Water Manifold for 4-User Sanifount	1
4	SFPBVALVE	Valve Assembly for Pushbutton Sanifount	4
5	P2032	Screw LBKS M5 x 8 - Stainless	8
6	P2043	Stainless Allen Screw M6 x 12	2
7	P2470	Quick Connect 6 mm Water Tube Elbow	4
8	P2788	PA Water Tubing M6	1.5
9	P2788	PA Water Tubing M6	1.5
10	P2788	PA Water Tubing M6	3.8
11	P2788	PA Water Tubing M6	3.8
12	P2869	Air Tubing	1.5
13	P2869	Air Tubing	1.5
14	P2869	Air Tubing	3.8
15	P2869	Air Tubing	3.8
16	P2904	Screen Washer	1
17	P2929	0.5 gpm aerator	4
18	P2939	Sanifount IH Nozzle Adaptor	4
19	P456810	Shell for 4-User Sanifount Pushbutton Head	1
20	P456830L	Left Slotcam for 4-User Sanifount Pushbutton Head	1
21	P456830R	Right Slotcam for 4-User Pushbutton Head	1
22	P498210	Key for AquaDesign Locks	2
23	P498360	Brass fin for Sanifount Lock	2



Request for Change

Name	Date
------	------

Change Requested

TITLE:
4-User Pushbutton Sanifount Head

SIZE	DWG. NO.	REV
B	SF4HEADMAN	001

SCALE: 1:20	WEIGHT:	SHEET 1 OF 1
-------------	---------	--------------

UNLESS OTHERWISE SPECIFIED:

DIMENSIONS ARE IN INCHES

TOLERANCES:

FRACTIONAL ±

ANGULAR: MACH ± BEND ±

TWO PLACE DECIMAL ±

THREE PLACE DECIMAL ±

NAME	DATE
WH	12/6/2021
DRAWN	
CHECKED	
MFG CHK	

PROPRIETARY AND CONFIDENTIAL

INTERPRET GEOMETRIC TOLERANCING PER:

MATERIAL Assembly

FINISH

DO NOT SCALE DRAWING

File Location:

COMMENTS:

THE INFORMATION CONTAINED IN THIS DRAWING IS THE SOLE PROPERTY OF PSD LLC. ANY REPRODUCTION IN PART OR AS A WHOLE WITHOUT THE WRITTEN PERMISSION OF PSD LLC IS PROHIBITED.