

4

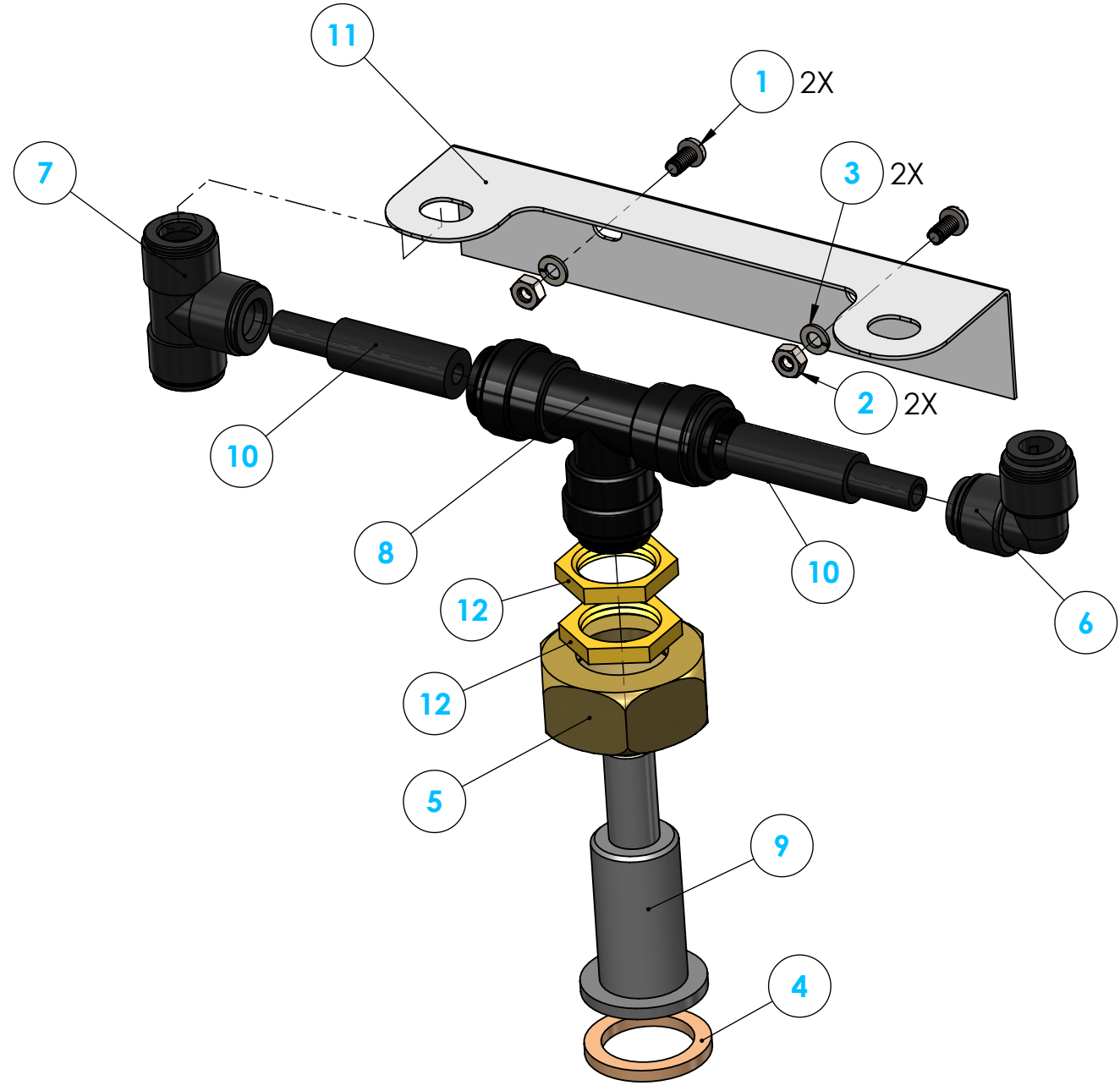
3

2

1

B

B



ITEM NO.	PART NUMBER	DESCRIPTION	QTY.
1	P2003	M4-.7 x 8 Cheese Head Slotted Stainless Machine Screw	2
2	P2063	M4-.7 Hex Jam Nut	2
3	P2091	Washer AZ 4 DIN 127 Stainless	2
4	P2185	White Nylon Crush Washer 1"	1
5	P2814	TMV Nut 1"	1
6	P35039	Quick Connect Elbow 8mm	1
7	P35041	Quick Connect Tee 8 mm	1
8	P35042	12 mm Quick Connect Tee	1
9	P405020	Stem Connector 1" x 12mm	1
10	P405080	Stem Connector Reducer 12 mm to 8 mm	2
11	P454310	Bridge for Sanifount Water Manifold	1
12	P498250	Flat Nut 1/2 Wg	2

A

A

### Request for Change

Name	Date
------	------

Change Requested



UNLESS OTHERWISE SPECIFIED:		NAME	DATE
DIMENSIONS ARE IN INCHES		DRAWN	WH 11/11/2021
TOLERANCES:		CHECKED	
FRACTIONAL ±		MFG CHK	
ANGULAR: MACH ±	BEND ±		
TWO PLACE DECIMAL ±			
THREE PLACE DECIMAL ±			

**PROPRIETARY AND CONFIDENTIAL**

INTERPRET GEOMETRIC TOLERANCING PER:

MATERIAL Assembly

FINISH

DO NOT SCALE DRAWING

TITLE:

## 3-User Water Manifold for Sanifount

SIZE	DWG. NO.	REV
<b>B</b>	SF3MANIF	001
SCALE: 1:5	WEIGHT:	SHEET 1 OF 1