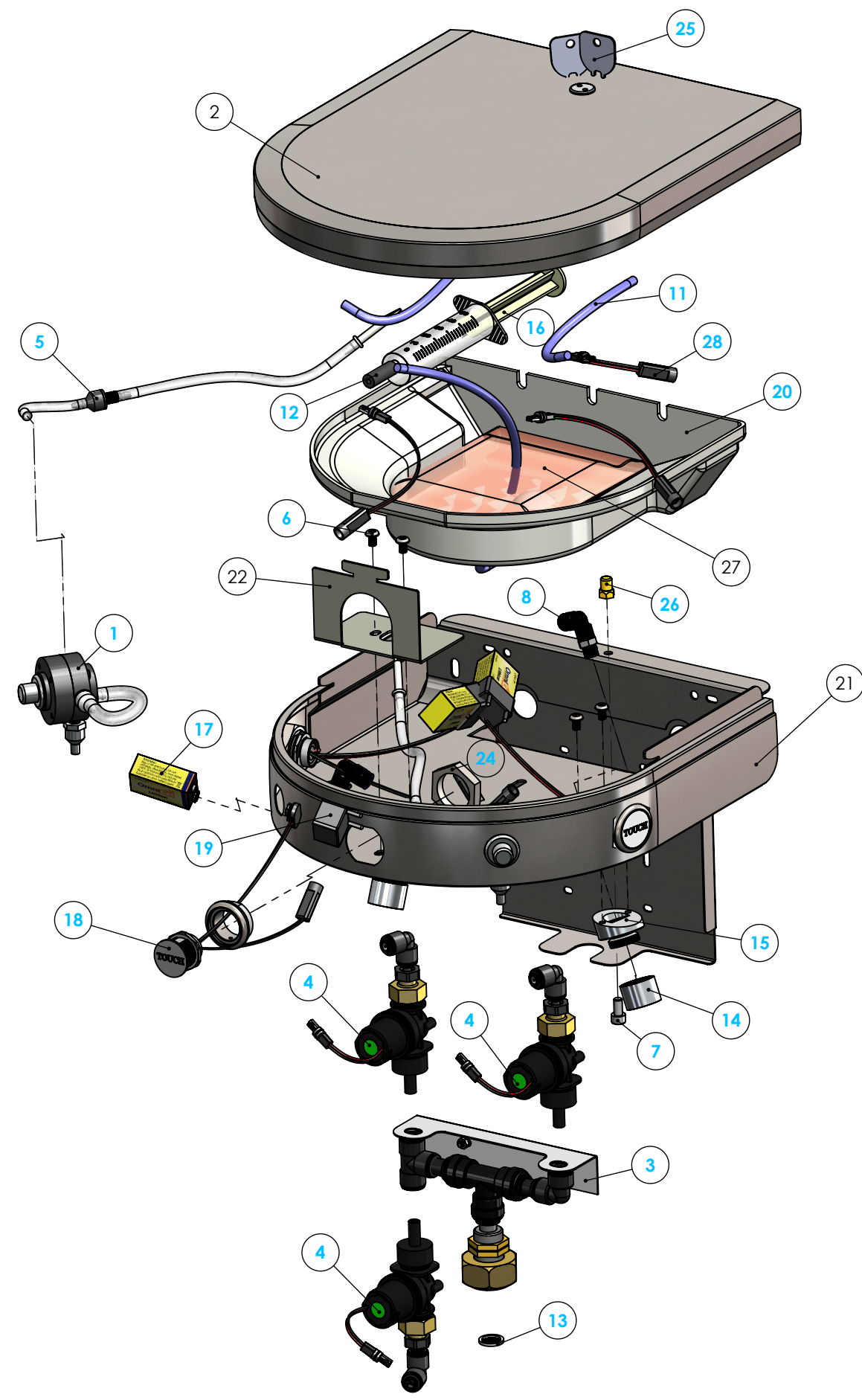


ITEM NO.	PART NUMBER	DESCRIPTION	QTY.
1	PBSOAP	Soap Pushbutton Sanifount	2
2	SF3LID	Lid Assembly for 2/3-User Sanifount	1
3	SF3MANIF	Water manifold for 3-User Sanifount	1
4	SFPZVALVE	Solenoid Assembly for Piezo Sanifount	3
5	SFSOAPTUB	Soap Tubing Assembly - Valve to Bag	2
6	P2032	Screw LBKS M5 x 8 - Stainless	6
7	P2043	Stainless Allen Screw M6 x 12	1
8	P2470	Quick Connect 6 mm Water Tube Elbow	3
9	P2788	PA Water Tubing M6	1.5
10	P2788	PA Water Tubing M6	1.5
11	P2788	PA Water Tubing M6	1.5
12	P2894	Rubber for Soap Syringe	1
13	P2904	Screen Washer	1
14	P2929	0.5 gpm aerator	3
15	P2939	Sanifount IH Nozzle Adaptor	3
16	P3015	Syringe	1
17	P3100	9V Lithium Battery	3
18	P35005	Piezo Button with 9V Connector	3
19	P35006	9V Battery Cover	3
20	P455700	Soap Tray for 3-User Sanifount	1
21	P455820	3-User Sanifount Pushbutton Water and Soap Shell	1
22	P455830	Front Latch For Sanifount Pushbutton	1
23	P483400	Stainless Escutcheon for Piezo Button	3
24	P483410	Stainless Escutcheon Nut for Piezo Button	3
25	P498210	Key for AquaDesign Locks	2
26	P498360	Brass Pin for Sanifount Lock	1
27	SOAPHLIL	1 Liter Soap Bag	1
28	U101004	100 mm Piezo Extension Cable	3



Request for Change		
Name	Date	
Change Requested		
TITLE:		
3-User Sanifount Water and Soap Distribution Head		
SIZE	DWG. NO.	REV
B	SF3HEADPZL	001
SCALE: 1:20	WEIGHT:	SHEET 1 OF 1

UNLESS OTHERWISE SPECIFIED:

DIMENSIONS ARE IN INCHES

TOLERANCES:

FRACTIONAL ±

ANGULAR: MACH ± BEND ±

TWO PLACE DECIMAL ±

THREE PLACE DECIMAL ±

	NAME	DATE	
	DRAWN	WH	12/2/2021
	CHECKED		
	MFG CHK		
	File Location:		
	COMMENTS:		

**PROPRIETARY AND CONFIDENTIAL**

INTERPRET GEOMETRIC TOLERANCING PER:

MATERIAL Assembly

FINISH

DO NOT SCALE DRAWING

THE INFORMATION CONTAINED IN THIS DRAWING IS THE SOLE PROPERTY OF PSD LLC. ANY REPRODUCTION IN PART OR AS A WHOLE WITHOUT THE WRITTEN PERMISSION OF PSD LLC IS PROHIBITED.