

4

3

2

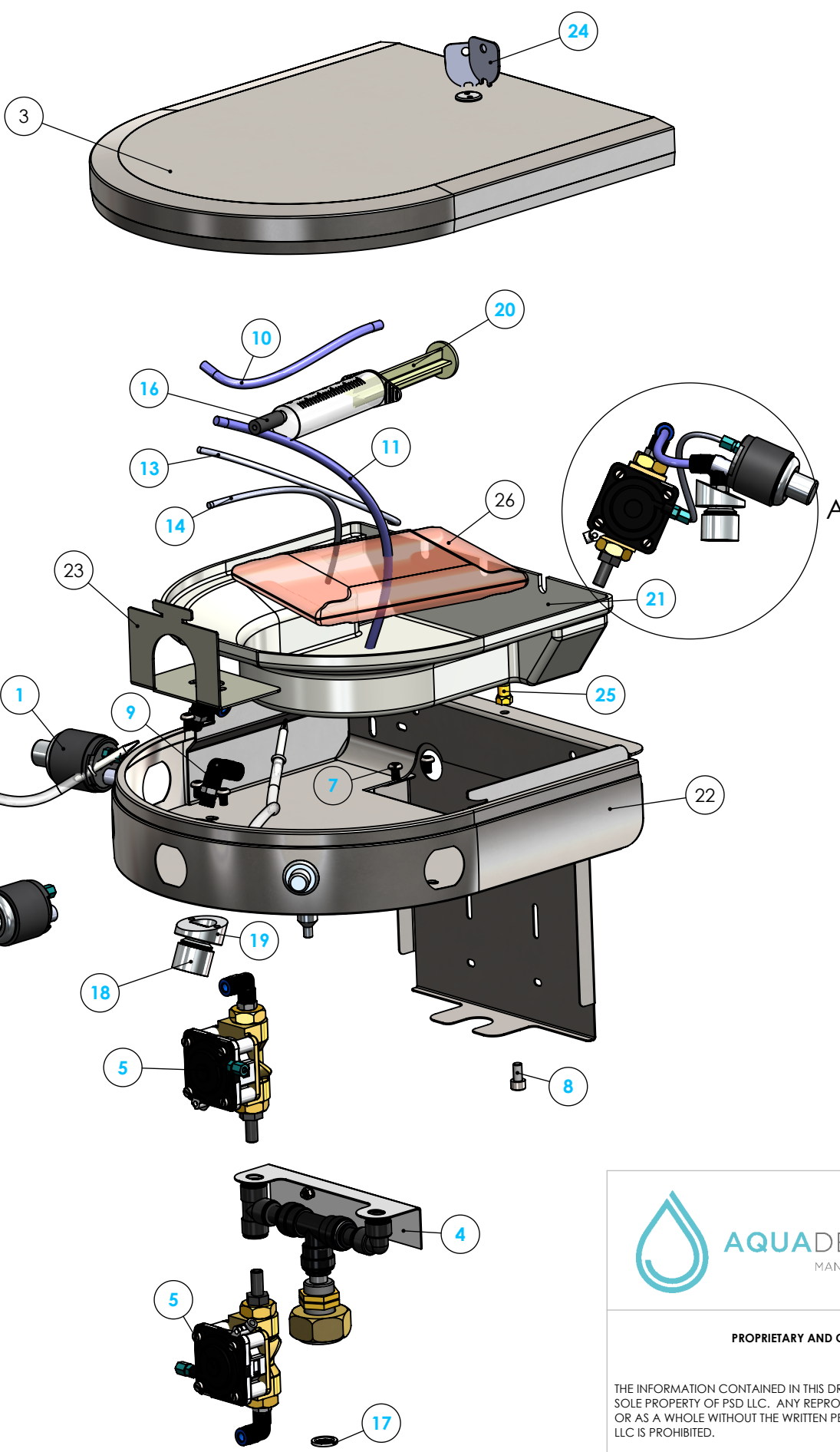
1

B

B

A

A



ITEM NO.	PART NUMBER	DESCRIPTION	QTY.
1	PBWATER	Water Pushbutton Sanifount	3
2	PBSOAP	Soap Pushbutton Sanifount	2
3	SF3LID	Lid Assembly for 2/3-User Sanifount	1
4	SF3MANIF	Water manifold for 3-User Sanifount	1
5	SFPBVALVE	Valve Assembly for Pushbutton Sanifount	3
6	SFSOAPTUB	Soap Tubing Assembly - Valve to Bag	2
7	P2032	Screw LBKS M5 x 8 - Stainless	6
8	P2043	Stainless Allen Screw M6 x 12	1
9	P2470	Quick Connect 6 mm Water Tube Elbow	3
10	P2788	PA Water Tubing M6	1.5
11	P2788	PA Water Tubing M6	1.5
12	P2788	PA Water Tubing M6	1.5
13	P2869	Air Tubing	1.5
14	P2869	Air Tubing	1.5
15	P2869	Air Tubing	1.5
16	P2894	Rubber for Soap Syringe	1
17	P2904	Screen Washer	1
18	P2929	0.5 gpm aerator	3
19	P2939	Sanifount IH Nozzle Adaptor	3
20	P3015	Syringe	1
21	P455700	Soap Tray for 3-User Sanifount	1
22	P455820	3-User Sanifount Pushbutton Water and Soap Shell	1
23	P455830	Front Latch For Sanifount Pushbutton	1
24	P498210	Key for AquaDesign Locks	2
25	P498360	Brass {in for Sanifount Lock	1
26	SOAPHLIL	1 Liter Soap Bag - DISCONTINUED	1

Request for Change

Name	Date
------	------

Change Requested

TITLE:
3-User Sanifount Water and Soap Distribution Head

SIZE	DWG. NO.	REV
B	SF3HEADML	001

SCALE: 1:20	WEIGHT:	SHEET 1 OF 1
-------------	---------	--------------

PROPRIETARY AND CONFIDENTIAL

THE INFORMATION CONTAINED IN THIS DRAWING IS THE SOLE PROPERTY OF PSD LLC. ANY REPRODUCTION IN PART OR AS A WHOLE WITHOUT THE WRITTEN PERMISSION OF PSD LLC IS PROHIBITED.

DO NOT SCALE DRAWING

UNLESS OTHERWISE SPECIFIED:		NAME	DATE
DIMENSIONS ARE IN INCHES	TOLERANCES:	DRAWN	WH
FRACTIONAL ±	ANGULAR: MACH ±	CHECKED	
TWO PLACE DECIMAL ±	BEND ±	MFG CHK	
THREE PLACE DECIMAL ±			
INTERPRET GEOMETRIC TOLERANCING PER:	MATERIAL	File Location:	
	Assembly		
FINISH		COMMENTS:	

4

3

2

1