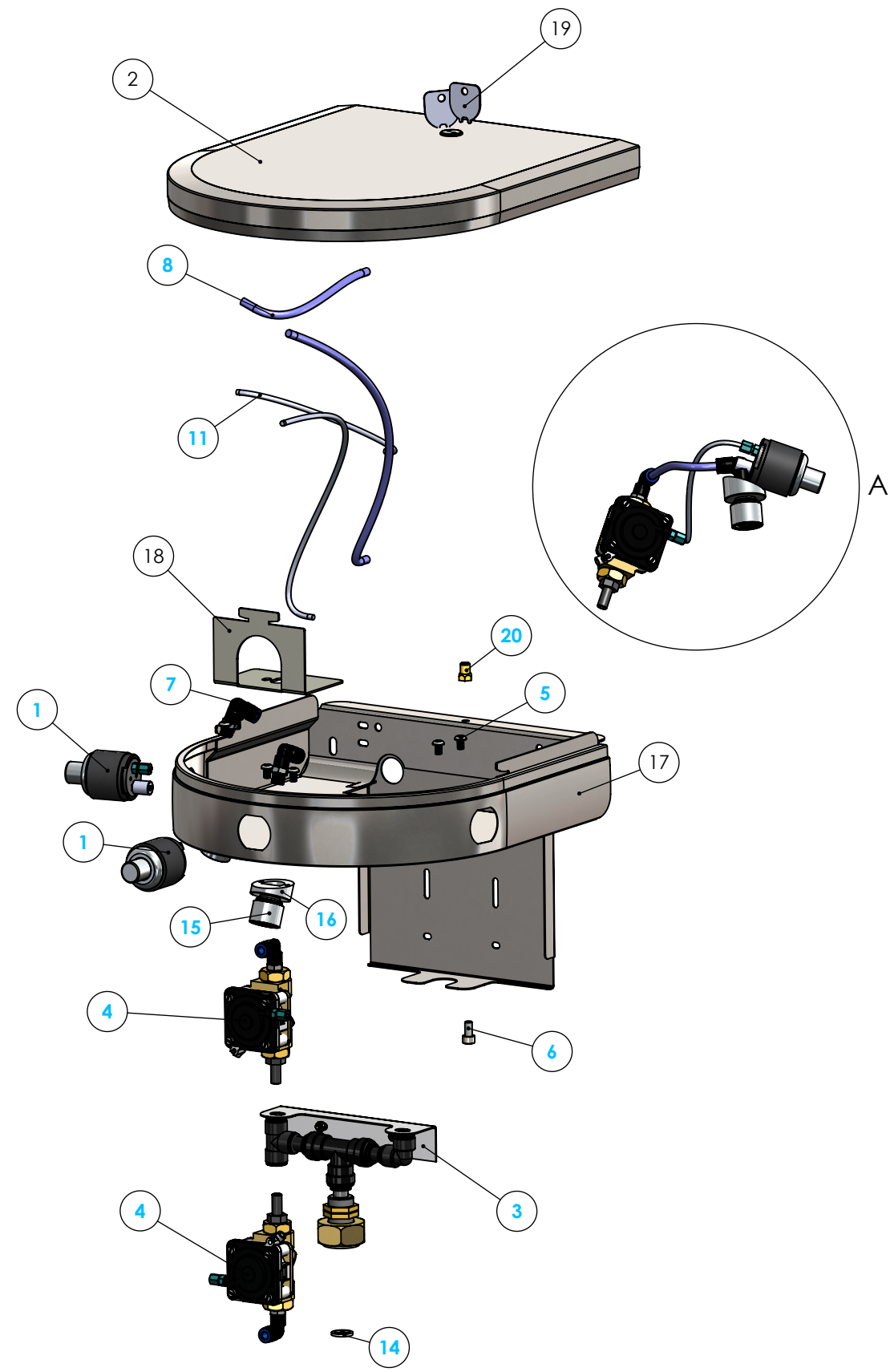


4

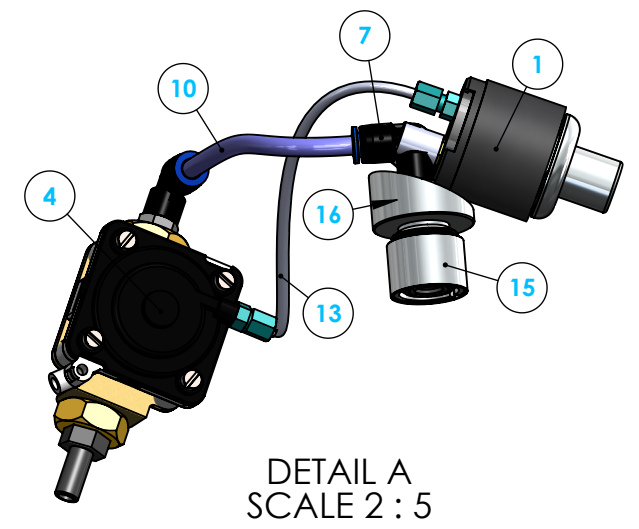
3

2

1



ITEM NO.	PART NUMBER	DESCRIPTION	QTY.
1	PBWATER	Water Pushbutton Sanifount	3
2	SF3LID	Lid Assembly for 2/3-User Sanifount	1
3	SF3MANIF	Water manifold for 3-User Sanifount	1
4	SFPBVALVE	Valve Assembly for Pushbutton Sanifount	3
5	P2032	Screw LBKS M5 x 8 - Stainless	6
6	P2043	Stainless Allen Screw M6 x 12	1
7	P2470	Quick Connect 6 mm Water Tube Elbow	3
8	P2788	PA Water Tubing M6	1.5
9	P2788	PA Water Tubing M6	1.5
10	P2788	PA Water Tubing M6	1.5
11	P2869	Air Tubing	1.5
12	P2869	Air Tubing	1.5
13	P2869	Air Tubing	1.5
14	P2904	Screen Washer	1
15	P2929	0.5 gpm aerator	3
16	P2939	Sanifount IH Nozzle Adaptor	3
17	P455810	3-User Sanifount Shell for Pushbutton Head	1
18	P455830	SLUITSTUK SF3PL DWK	1
19	P498210	Key for AquaDesign Locks	2
20	P498360	Brass {in for Sanifount Lock	1



DETAIL A  
SCALE 2 : 5

Request for Change

Name \_\_\_\_\_ Date \_\_\_\_\_

Change Requested \_\_\_\_\_



**PROPRIETARY AND CONFIDENTIAL**

THE INFORMATION CONTAINED IN THIS DRAWING IS THE SOLE PROPERTY OF PSD LLC. ANY REPRODUCTION IN PART OR AS A WHOLE WITHOUT THE WRITTEN PERMISSION OF PSD LLC IS PROHIBITED.

UNLESS OTHERWISE SPECIFIED:		NAME	DATE
DIMENSIONS ARE IN INCHES	TOLERANCES:	DRAWN	WH
FRACTIONAL ±	ANGULAR: MACH ±	CHECKED	
BEND ±	TWO PLACE DECIMAL ±	MFG CHK	
THREE PLACE DECIMAL ±			
INTERPRET GEOMETRIC TOLERANCING PER:	MATERIAL	File Location:	
	Assembly		
FINISH		COMMENTS:	
DO NOT SCALE DRAWING			

TITLE:  
**3-User Sanifount Pushbutton Head**

SIZE **B** DWG. NO. SF3HEADMAN REV 001

SCALE: 1:20 WEIGHT: SHEET 1 OF 1

4

3

2

1

B

B

A

A