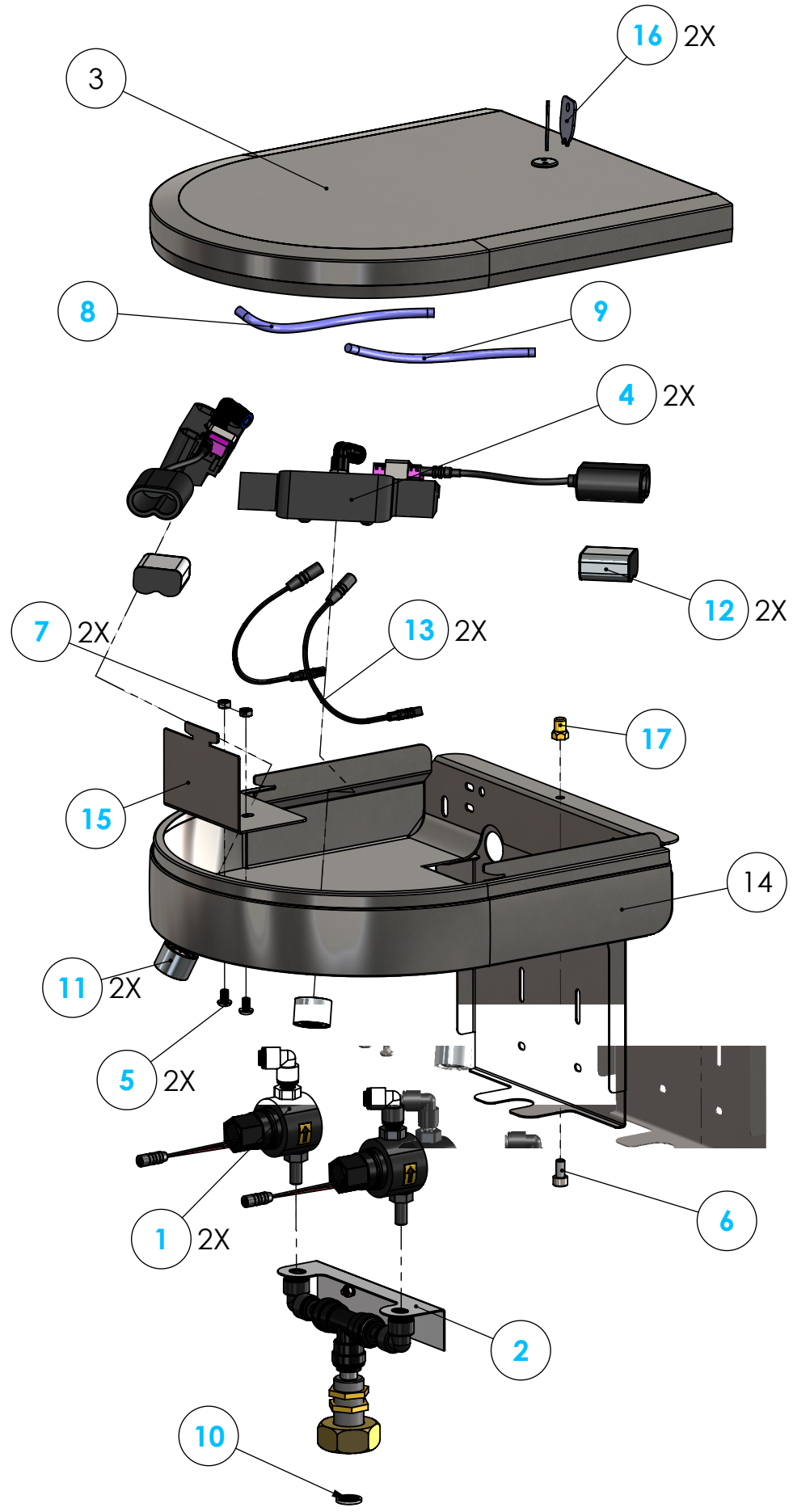


4

3

2

1



ITEM NO.	PART NUMBER	DESCRIPTION	QTY.
1	PSE1802M6NS	Solenoid Assembly for Sanifount without Soap	2
2	SF2MANIF	Water Manifold for 2-User Sanifount	1
3	SF3LID	Lid Assembly for 2/3-User Sanifount	1
4	SFCAS	Sensor Cassette Assembly for Sanifount/Solidwave/Saniwave	2
5	P2032	Screw LBKS M5 x 8 - Stainless	2
6	P2043	Stainless Allen Screw M6 x 12	1
7	P2065	M5-.8 Finished Hex Jam Nut Stainless Steel M5	2
8	P2788	PA Water Tubing 6 mm	1.5
9	P2788	PA Water Tubing 6 mm	1.5
10	P2904	Screen Washer	1
11	P2929	0.5 gpm aerator	2
12	P3103	CR-P2 6V Battery	2
13	P35066	Jumper Cable 1000 mm (RR M-F)	2
14	P454210	Shell for 2-User Sensor Sanifount	1
15	P454220	Lock Latch for Sanifount 2/3-User	1
16	P498210	Key for AquaDesign Locks	2
17	P498360	Brass Pin for Sanifount Lock	1

Request for Change

Name _____ Date _____

Change Requested _____



UNLESS OTHERWISE SPECIFIED:		NAME	DATE
DIMENSIONS ARE IN INCHES		DRAWN	WH 11/11/2021
TOLERANCES:		CHECKED	
FRACTIONAL ±		MFG CHK	
ANGULAR: MACH ± BEND ±			
TWO PLACE DECIMAL ±			
THREE PLACE DECIMAL ±			

PROPRIETARY AND CONFIDENTIAL

INTERPRET GEOMETRIC TOLERANCING PER:

MATERIAL Assembly

FINISH

THE INFORMATION CONTAINED IN THIS DRAWING IS THE SOLE PROPERTY OF PSD LLC. ANY REPRODUCTION IN PART OR AS A WHOLE WITHOUT THE WRITTEN PERMISSION OF PSD LLC IS PROHIBITED.

DO NOT SCALE DRAWING

File Location:

COMMENTS:

TITLE:
2-User Sanifount Sensor Head without Soap

SIZE	DWG. NO.	REV
B	SF2HEAD	001
SCALE: 1:10	WEIGHT:	SHEET 1 OF 1

4

3

2

1

B

B

A

A