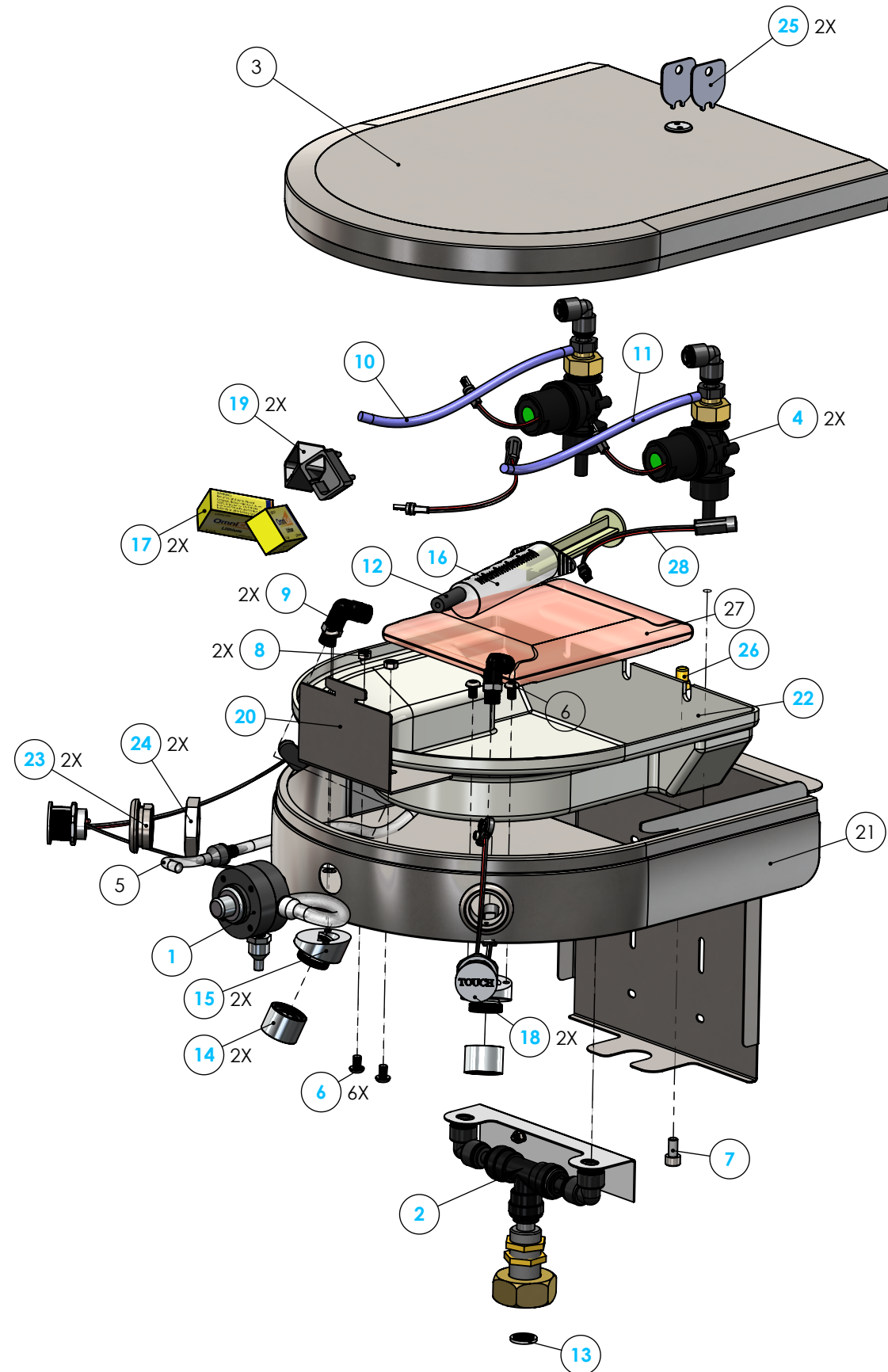


4

3

2

1



ITEM NO.	PART NUMBER	DESCRIPTION	QTY.
1	PBSOAP	Soap Pushbutton Sanifount	1
2	SF2MANIF	Water Manifold for 2-User Sanifount	1
3	SF3LID	Lid Assembly for 2/3-User Sanifount	1
4	SFPZVALVE	Solenoid Assembly for Piezo Sanifount	2
5	SFSOAPUB	Soap Tubing Assembly - Valve to Bag	1
6	P2032	Screw LBKS M5 x 8 - Stainless	6
7	P2043	Stainless Allen Screw M6 x 12	1
8	P2065	M5-.8 Finished Hex Jam Nut Stainless Steel M5	2
9	P2470	Quick Connect 6 mm Water Tube Elbow	2
10	P2788	PA Water Tubing 6 mm	1.5
11	P2788	PA Water Tubing 6 mm	1.5
12	P2894	Rubber for Soap Syringe	1
13	P2904	Screen Washer	1
14	P2929	0.5 gpm aerator	2
15	P2939	Sanifount IH Nozzle Adaptor	2
16	P3015	Syringe	1
17	P3100	9V Lithium Battery	2
18	P35005	Piezo Button with 9V Connector	2
19	P35006	9V Battery Cover	2
20	P454220	Lock Latch for Sanifount 2/3-User	1
21	P454820	Shell for 2-User Pushbutton Water and Soap Sanifount	1
22	P455700	Soap Tray for 3-User Sanifount	1
23	P483400	Stainless Escutcheon for Piezo Button	2
24	P483410	Stainless Escutcheon Nut for Piezo Button	2
25	P498210	Key for AquaDesign Locks	2
26	P498360	Brass fin for Sanifount Lock	1
27	SOAPHL1L	1 Liter Soap Bag - DISCONTINUED	1
28	U101004	100 mm Piezo Extension Cable	2

Request for Change

Name	Date
Change Requested	

AQUADESIGN
MANUFACTURING

UNLESS OTHERWISE SPECIFIED:
 DIMENSIONS ARE IN INCHES
 TOLERANCES:
 FRACTIONAL ±
 ANGULAR: MACH ± BEND ±
 TWO PLACE DECIMAL ±
 THREE PLACE DECIMAL ±

PROPRIETARY AND CONFIDENTIAL

THE INFORMATION CONTAINED IN THIS DRAWING IS THE SOLE PROPERTY OF PSD LLC. ANY REPRODUCTION IN PART OR AS A WHOLE WITHOUT THE WRITTEN PERMISSION OF PSD LLC IS PROHIBITED.

INTERPRET GEOMETRIC TOLERANCING PER: MATERIAL Assembly FINISH

DO NOT SCALE DRAWING

NAME	DATE
WH	11/17/2021
DRAWN	
CHECKED	
MFG CHK	

File Location:
COMMENTS:

TITLE:
2-User Sanifount Piezo and Soap Head

SIZE	DWG. NO.	REV
B	SF2HEADPZL	001

SCALE: 1:10 WEIGHT: SHEET 1 OF 1

4

3

2

1

B

B

A

A