

4

3

2

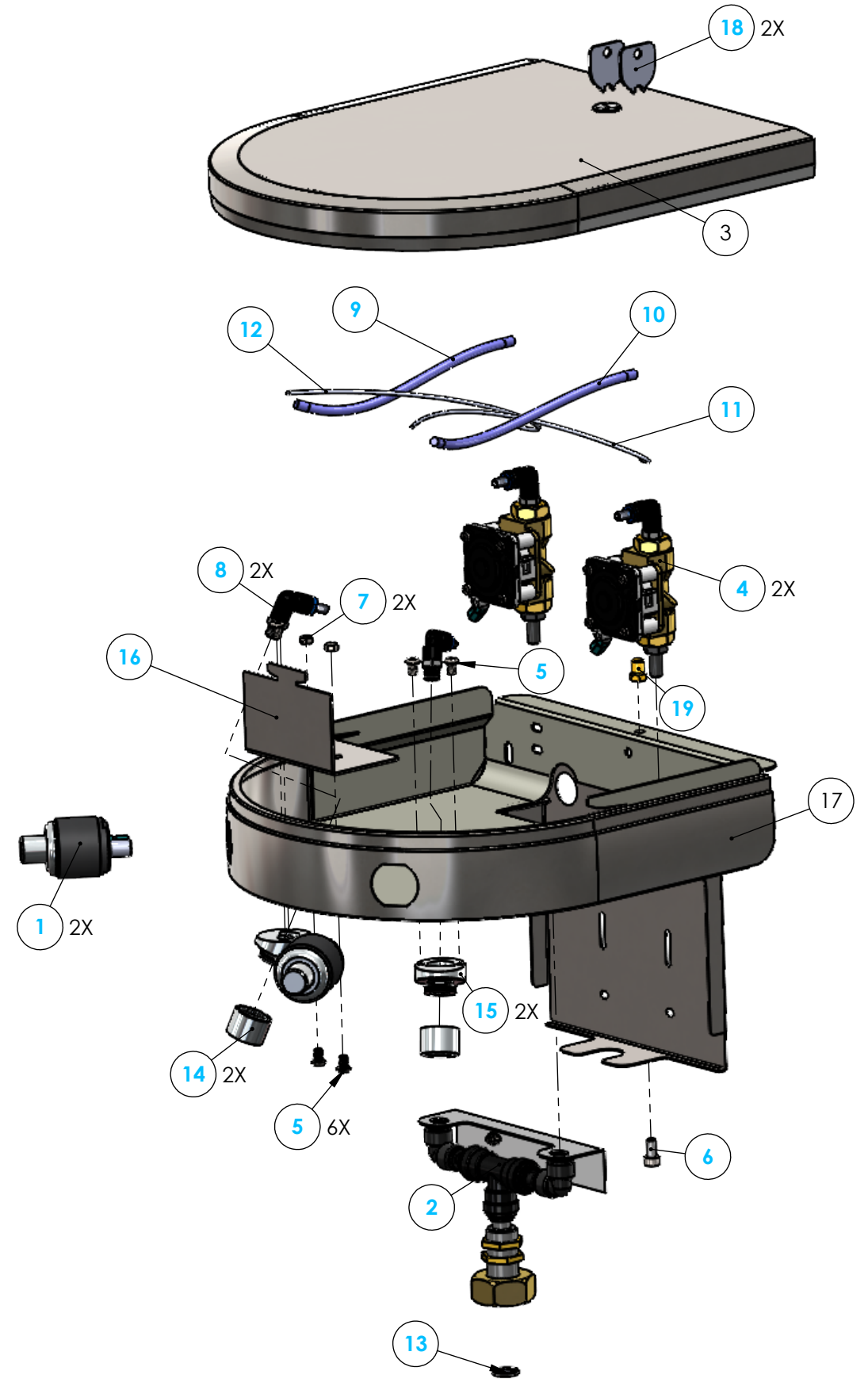
1

B

B

A

A



ITEM NO.	PART NUMBER	DESCRIPTION	QTY.
1	PBWATER	Water Pushbutton Sanifount	2
2	SF2MANIF	Water Manifold for 2-User Sanifount	1
3	SF3LID	Lid Assembly for 2/3-User Sanifount	1
4	SFPBVALVE	Valve Assembly for Pushbutton Sanifount	2
5	P2032	Screw LBKS M5 x 8 - Stainless	6
6	P2043	Stainless Allen Screw M6 x 12	1
7	P2065	M5-.8 Finished Hex Jam Nut Stainless Steel M5	2
8	P2470	Quick Connect 6 mm Water Tube Elbow	2
9	P2788	PA Water Tubing 6 mm	1.5
10	P2788	PA Water Tubing 6 mm	1.5
11	P2869	Air Tubing	1.5
12	P2869	Air Tubing	1.5
13	P2904	Screen Washer	1
14	P2929	0.5 gpm aerator	2
15	P2939	Sanifount IH Nozzle Adaptor	2
16	P454220	Lock Latch for Sanifount 2/3-User	1
17	P454810	Shell for 2-User Pushbutton Sanifount Heas	1
18	P498210	Key for AquaDesign Locks	2
19	P498360	Brass Pin for Sanifount Lock	1

Request for Change

Name _____ Date _____

Change Requested _____



PROPRIETARY AND CONFIDENTIAL

THE INFORMATION CONTAINED IN THIS DRAWING IS THE SOLE PROPERTY OF PSD LLC. ANY REPRODUCTION IN PART OR AS A WHOLE WITHOUT THE WRITTEN PERMISSION OF PSD LLC IS PROHIBITED.

UNLESS OTHERWISE SPECIFIED:		NAME	DATE
DIMENSIONS ARE IN INCHES		DRAWN	WH 11/16/2021
TOLERANCES:		CHECKED	
FRACTIONAL: ±		MFG CHK	
ANGULAR: MACH ± BEND ±			
TWO PLACE DECIMAL ±			
THREE PLACE DECIMAL ±			
INTERPRET GEOMETRIC TOLERANCING PER:		File Location:	
MATERIAL			
FINISH		COMMENTS:	
DO NOT SCALE DRAWING			

TITLE:
**Sanifount 2-User
Pushbutton Head - Water
Only**

SIZE	DWG. NO.	REV
B	F2HEADMAN	001
SCALE: 1:10	WEIGHT:	SHEET 1 OF 1