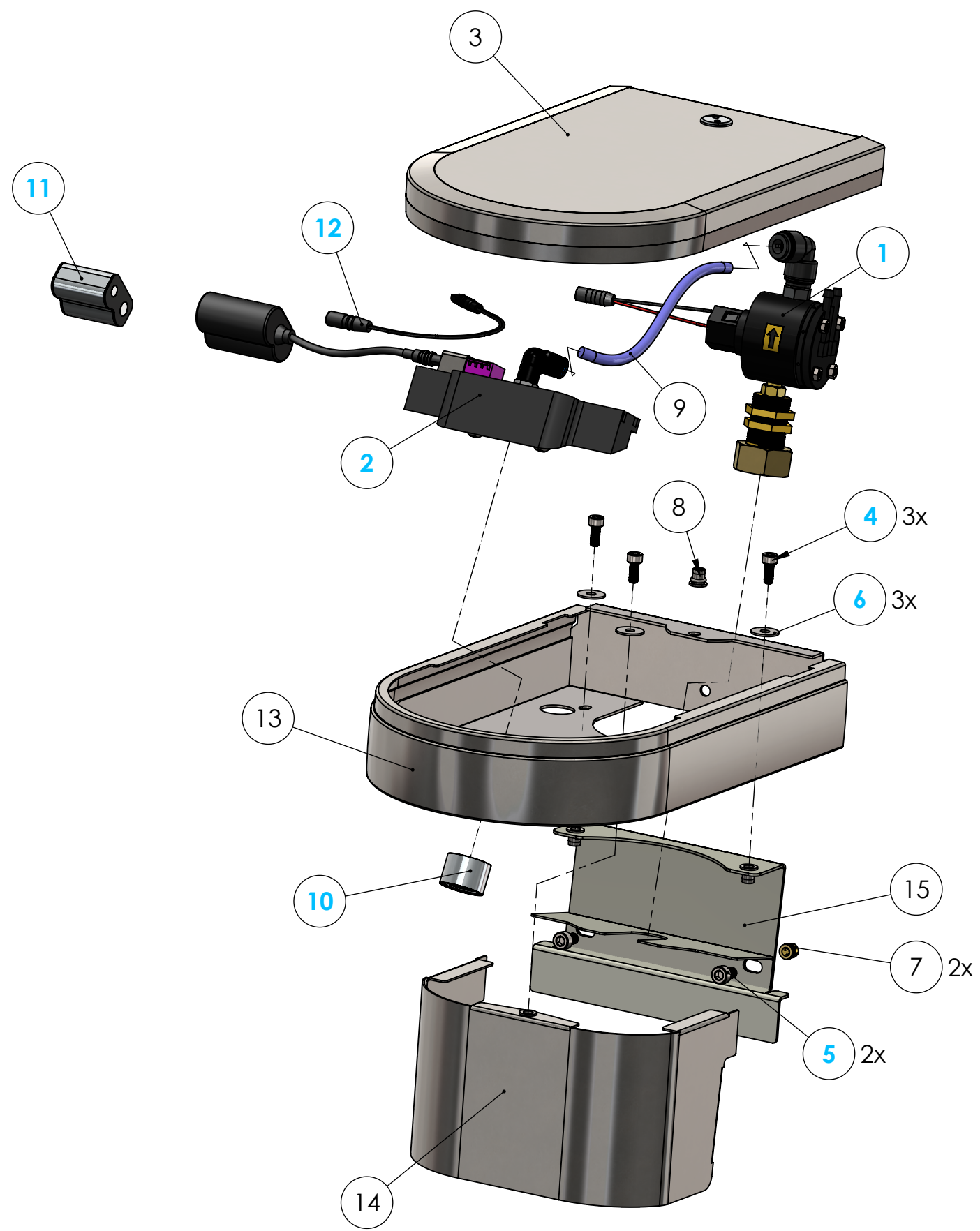


4

3

2

1



| ITEM NO. | PART NUMBER | DESCRIPTION | QTY. |
|----------|-------------|---|------|
| 1 | PSE1804M6 | Valve Assembly for Sensor Solidwave/Saniwave Head | 1 |
| 2 | SFCAS | Sensor Cassette Assembly for Sanifount/Solidwave/Saniwave | 1 |
| 3 | SWHEADLID | Lid for Saniwave/Solidwave Head | 1 |
| 4 | P2041 | M5 x 12 Stainless Hex Head Screw | 3 |
| 5 | P2045 | M6-1.0 x 10 Socket head Cap Screw | 2 |
| 6 | P2097 | 3/16" x 11/16" Fender Washer | 3 |
| 7 | P2107 | Brass Insert M6 x 0.75 | 2 |
| 8 | P2116 | TUBTARA M5 X 0,8 UPO 30 INOX | 1 |
| 9 | P2788 | PA Tube Blue M6 | 1.25 |
| 10 | P2929 | 0.5 gpm aerator | 1 |
| 11 | P3103 | CR-P2 6V Battery | 1 |
| 12 | P35066 | Jumper Cable 1000 mm (RR M-F) | 1 |
| 13 | P451310 | Shell for Sensor Solidwave Head | 1 |
| 14 | P451320 | Front Cover for Solidwave Head | 1 |
| 15 | P451330 | Backplate for Solidwave Head | 1 |

Request for Change

Name _____ Date _____

Change Requested _____



| UNLESS OTHERWISE SPECIFIED: | | NAME | DATE |
|-----------------------------|--------|------|-----------|
| DIMENSIONS ARE IN INCHES | | WH | 11/8/2021 |
| TOLERANCES: | | | |
| FRACTIONAL ± | | | |
| ANGULAR: MACH ± | BEND ± | | |
| TWO PLACE DECIMAL ± | | | |
| THREE PLACE DECIMAL ± | | | |

PROPRIETARY AND CONFIDENTIAL

INTERPRET GEOMETRIC TOLERANCING PER: _____

MATERIAL: Assembly

FINISH: _____

THE INFORMATION CONTAINED IN THIS DRAWING IS THE SOLE PROPERTY OF PSD LLC. ANY REPRODUCTION IN PART OR AS A WHOLE WITHOUT THE WRITTEN PERMISSION OF PSD LLC IS PROHIBITED.

File Location: _____

COMMENTS: _____

DO NOT SCALE DRAWING

TITLE: **Sensor Water Distribution Head Solidwave**

| SIZE | DWG. NO. | REV |
|----------|----------|-----|
| B | SDHEAD | 001 |

SCALE: 1:10 WEIGHT: _____ SHEET 1 OF 1

4

3

2

1

B

B

A

A