

4

3

2

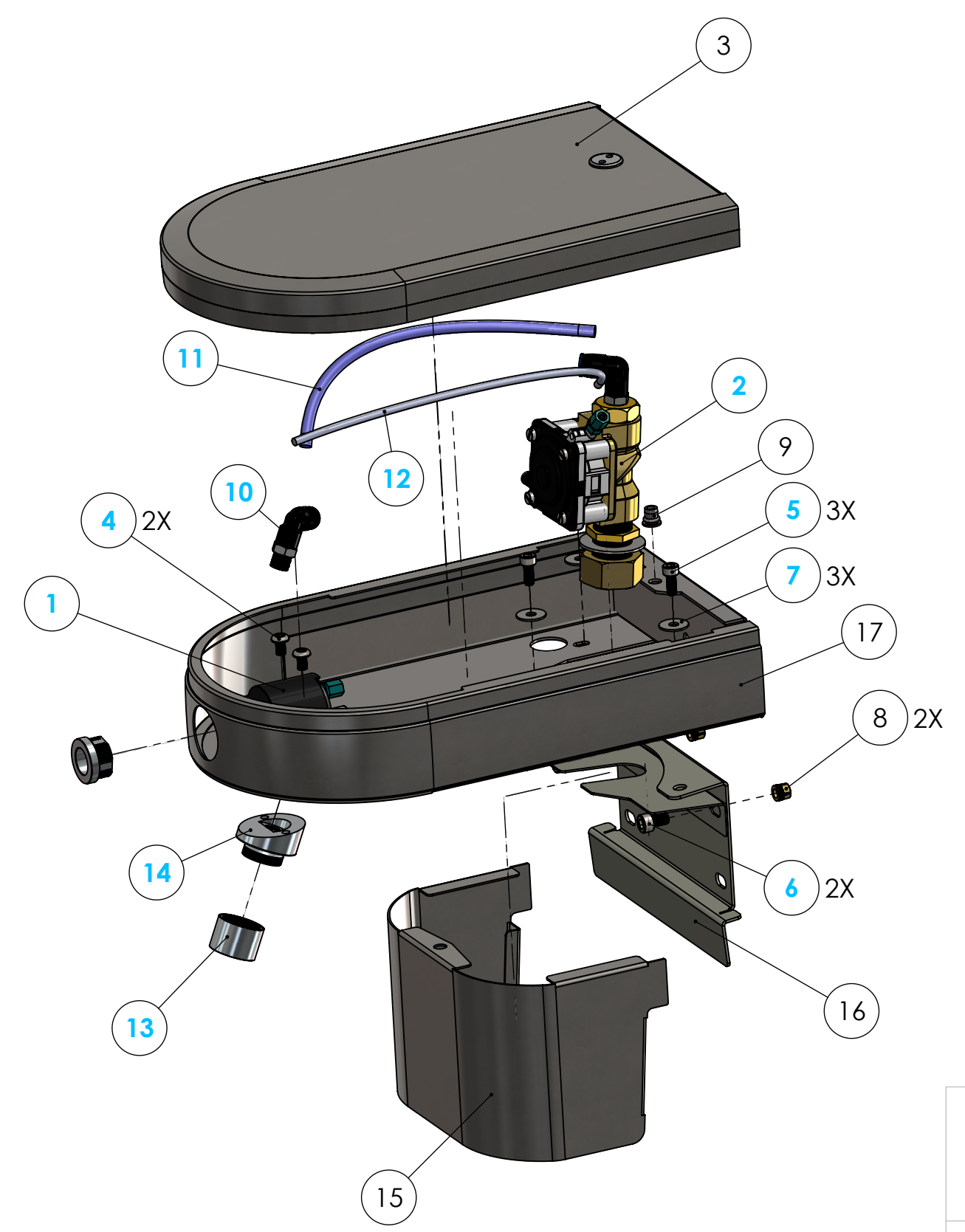
1

B

B

A

A



ITEM NO.	PART NUMBER	DESCRIPTION	QTY.
1	PBSWWATER	Pushbutton for Solidwave/Saniwave Head	1
2	RKSW	Valve Assembly for Pushbutton Saniwave/Solidwave Head	1
3	SWHEADLID	Lid for Saniwave/Solidwave Head	1
4	P2032	Screw LBKS M5 x 8 - Stainless	2
5	P2041	M5 x 12 Stainless Hex Head Screw	3
6	P2045	M6-1.0 x 10 Socket head Cap Screw	2
7	P2097	3/16" x 11/16" Fender Washer	3
8	P2107	Brass Insert M6 x 0.75	2
9	P2116	TUBTARA M5 X 0,8 UPO 30 INOX	1
10	P2470	Quick Connect 6 mm Water Tube Elbow	1
11	P2788	PA Water Tube Blue M6	1
12	P2869	Air Tubing	1
13	P2929	0.5 gpm aerator	1
14	P2939	Sanifount IH Nozzle Adaptor	1
15	P451320	Front Cover for Solidwave Head	1
16	P451330	Backplate for Solidwave Head	1
17	P451510	Solidwave Head Shell Pushbutton Water	1

Request for Change

Name _____ Date _____

Change Requested _____

	UNLESS OTHERWISE SPECIFIED:	NAME	DATE	TITLE:
	DIMENSIONS ARE IN INCHES TOLERANCES: FRACTIONAL: ± ANGULAR: MACH ± BEND ± TWO PLACE DECIMAL ± THREE PLACE DECIMAL ±	DRAWN	WH	
PROPRIETARY AND CONFIDENTIAL THE INFORMATION CONTAINED IN THIS DRAWING IS THE SOLE PROPERTY OF PSD LLC. ANY REPRODUCTION IN PART OR AS A WHOLE WITHOUT THE WRITTEN PERMISSION OF PSD LLC IS PROHIBITED.	INTERPRET GEOMETRIC TOLERANCING PER:	CHECKED		SIZE DWG. NO. REV B SDHEADMAN 001
	MATERIAL Assembly	MFG CHK		
	FINISH	File Location:		SCALE: 1:5
	DO NOT SCALE DRAWING	COMMENTS:		WEIGHT:
				SHEET 1 OF 1