

4

3

2

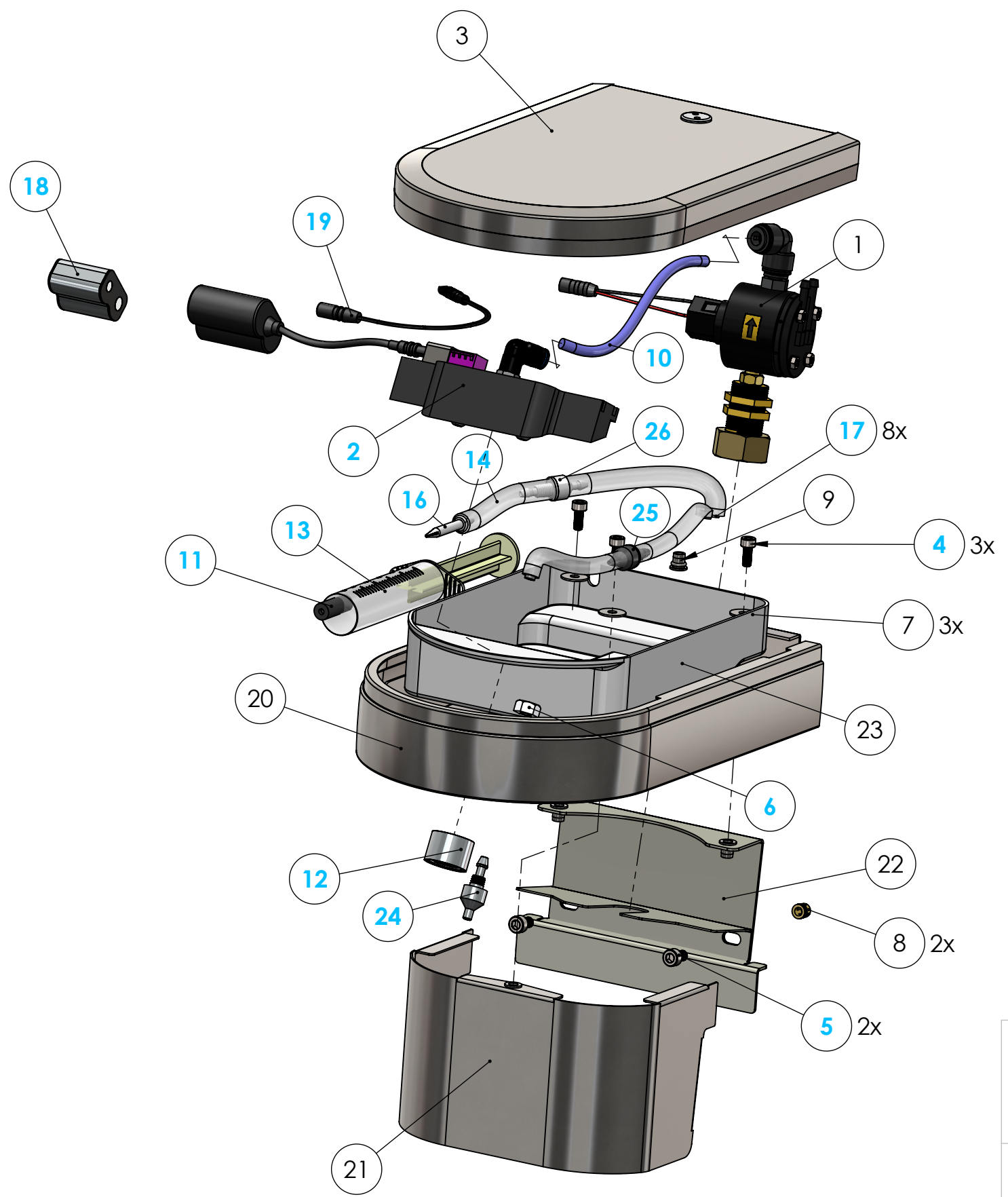
1

B

B

A

A



ITEM NO.	PART NUMBER	DESCRIPTION	QTY.
1	PSE1804M6	Valve Assembly for Sensor Solidwave/Saniwave Head	1
2	SFCAS	Sensor Cassette Assembly for Sanifount/Solidwave/Saniwave	1
3	SWHEADLID	Lid for Saniwave/Solidwave Head	1
4	P2041	M5 x 12 Stainless Hex Head Screw	3
5	P2045	M6-1.0 x 10 Socket head Cap Screw	2
6	P2081	Nylon Nut for Sanifount Soap Nozzle	1
7	P2097	3/16" x 11/16" Fender Washer	3
8	P2107	Brass Insert M6 x 0.75	2
9	P2116	TUBTARA M5 X 0,8 UPO 30 INOX	1
10	P2788	PA Tube Blue M6	1.25
11	P2894	Rubber for Soap Syringe	1
12	P2929	0.5 gpm aerator	1
13	P3015	Syringe	1
14	P3021	Soap Tubing	1
15	P3021	Soap Tubing	1
16	P3022	Needle for Soap Bag	1
17	P3066	Soap Tubing Clamp	8
18	P3103	CR-P2 6V Battery	1
19	P35066	Jumper Cable 1000 mm (RR M-F)	1
20	P451310	Shell for Sensor Solidwave Head	1
21	P451320	Front Cover for Solidwave Head	1
22	P451330	Backplate for Solidwave Head	1
23	P457300	Soap Tray for Saniwave	1
24	P498240	Soap Nozzle for Sanifount	1
25	SPCHV-B	Black Soap Check Valve	1
26	SPCHV-W	White Soap Check Valve	1

Request for Change

Name	Date
Change Requested	

UNLESS OTHERWISE SPECIFIED:

DIMENSIONS ARE IN INCHES

TOLERANCES:

FRACTIONAL: ±

ANGULAR: MACH ± BEND ±

TWO PLACE DECIMAL ±

THREE PLACE DECIMAL ±

	NAME	DATE
DRAWN	WH	11/8/2021
CHECKED		
MFG CHK		

PROPRIETARY AND CONFIDENTIAL

INTERPRET GEOMETRIC TOLERANCING PER:

MATERIAL Assembly

FINISH

DO NOT SCALE DRAWING

TITLE:

Sensor Water and Soap Distribution Head Solidwave

SIZE	DWG. NO.	REV
B	DHEADL	001

SCALE: 1:10 WEIGHT: SHEET 1 OF 1