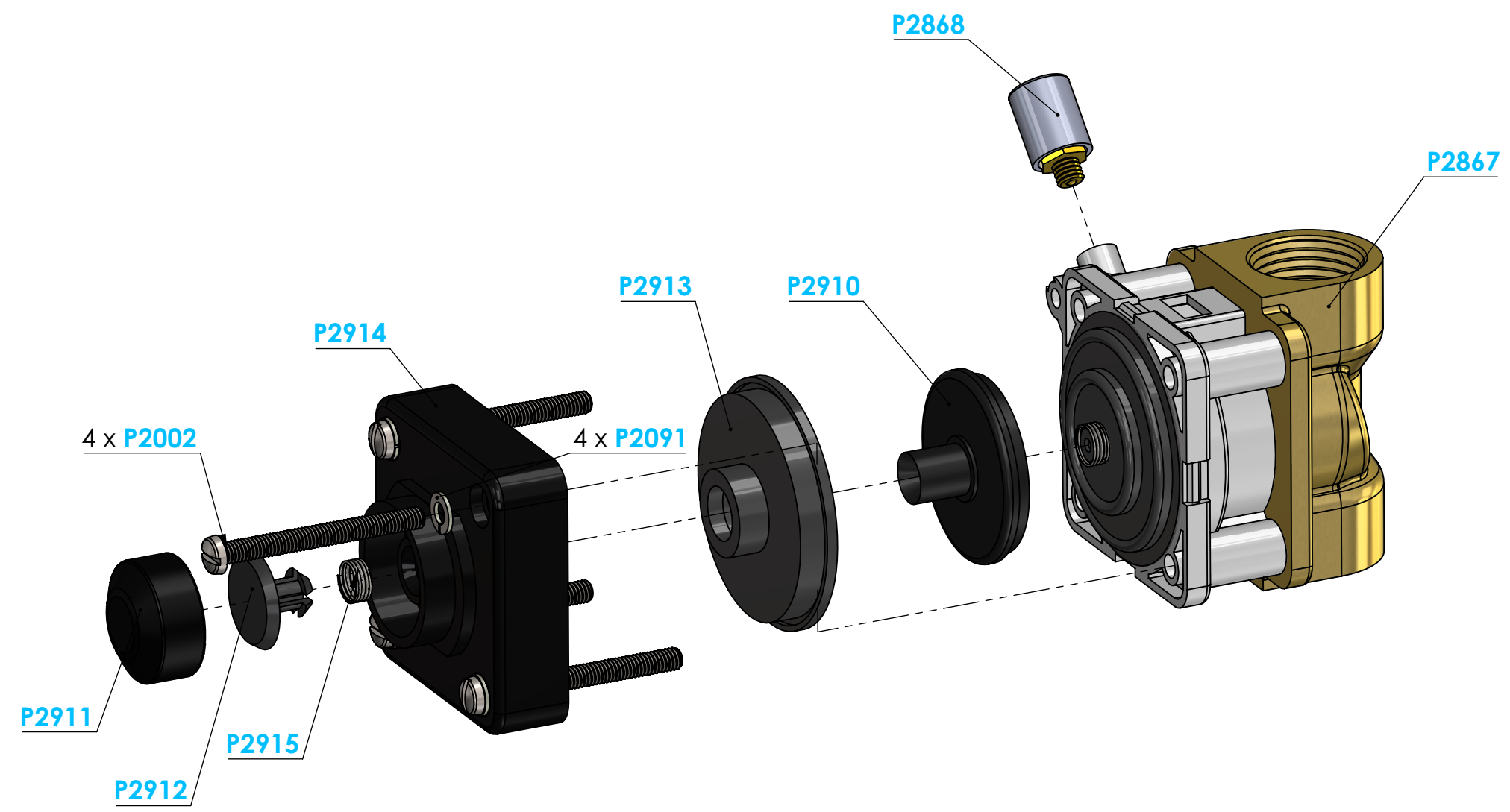


4

3

2

1



PART NUMBER	DESCRIPTION	QTY.
P2002	Stainless Screw M4 x 40	4
P2091	Lock Washer AZ 4 DIN 127 - Stainless	4
P2867	Mechanical Valve	1
P2868	Sanimatic Timer	1
P2910	Inner Disc for Top RKCF	1
P2911	Top Part Pushbutton RCF	1
P2912	Inner Part Pushbutton RKCF	1
P2913	Membrane for Air Chamber RKCF	1
P2914	Lid Valve RKCF	1
P2915	Spring for Pushbutton RKCF	1

Request for Change

Name _____ Date _____

Change Requested

PROPRIETARY AND CONFIDENTIAL

THE INFORMATION CONTAINED IN THIS DRAWING IS THE SOLE PROPERTY OF PSD LLC. ANY REPRODUCTION IN PART OR AS A WHOLE WITHOUT THE WRITTEN PERMISSION OF PSD LLC IS PROHIBITED.

UNLESS OTHERWISE SPECIFIED:		NAME	DATE
DIMENSIONS ARE IN INCHES		DRAWN	WH 07/30/21
TOLERANCES:		CHECKED	
FRACTIONAL ±		MFG CHK	
ANGULAR: MACH ± BEND ±			
TWO PLACE DECIMAL ±			
THREE PLACE DECIMAL ±			
INTERPRET GEOMETRIC TOLERANCING PER:		File Location:	
MATERIAL		Assembly	
FINISH		COMMENTS:	
DO NOT SCALE DRAWING			

TITLE:
Valve Assembly for Old Style Individual Hand Sanispray

SIZE	DWG. NO.	REV
B	RKIH	000
SCALE: 1:5	WEIGHT:	SHEET 1 OF 1

4

3

2

1

B

B

A

A