

4

3

2

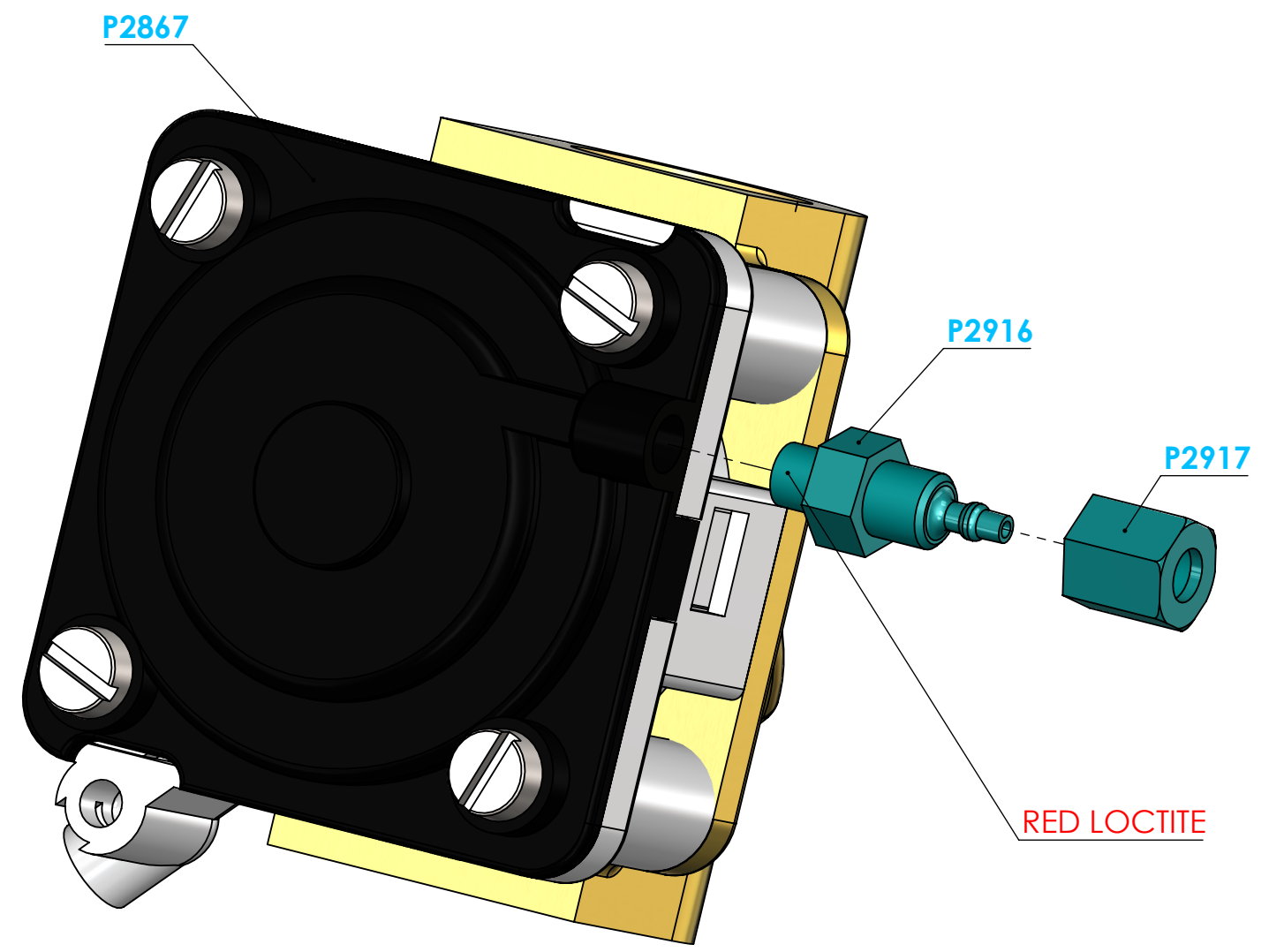
1

B

B

A


A



PART NUMBER	DESCRIPTION	QTY.
P2867	Mechanical Control Valve	1
P2916	Blue ferrel	1
P2917	Blue nut	1

Request for Change

Name	Date
Change Requested	

	UNLESS OTHERWISE SPECIFIED:	NAME	DATE	TITLE: Valve Assembly for Individual Foot Sanispray
	DIMENSIONS ARE IN INCHES TOLERANCES: FRACTIONAL ± ANGULAR: MACH ± BEND ± TWO PLACE DECIMAL ± THREE PLACE DECIMAL ±	DRAWN	WH	
PROPRIETARY AND CONFIDENTIAL THE INFORMATION CONTAINED IN THIS DRAWING IS THE SOLE PROPERTY OF PSD LLC. ANY REPRODUCTION IN PART OR AS A WHOLE WITHOUT THE WRITTEN PERMISSION OF PSD LLC IS PROHIBITED.	INTERPRET GEOMETRIC TOLERANCING PER: MATERIAL Assembly	CHECKED		
FINISH DO NOT SCALE DRAWING	COMMENTS:	MFG CHK		
		File Location:		SIZE B DWG. NO. RKIF REV 100
				SCALE: 1:0.5 WEIGHT: SHEET 1 OF 1