

4

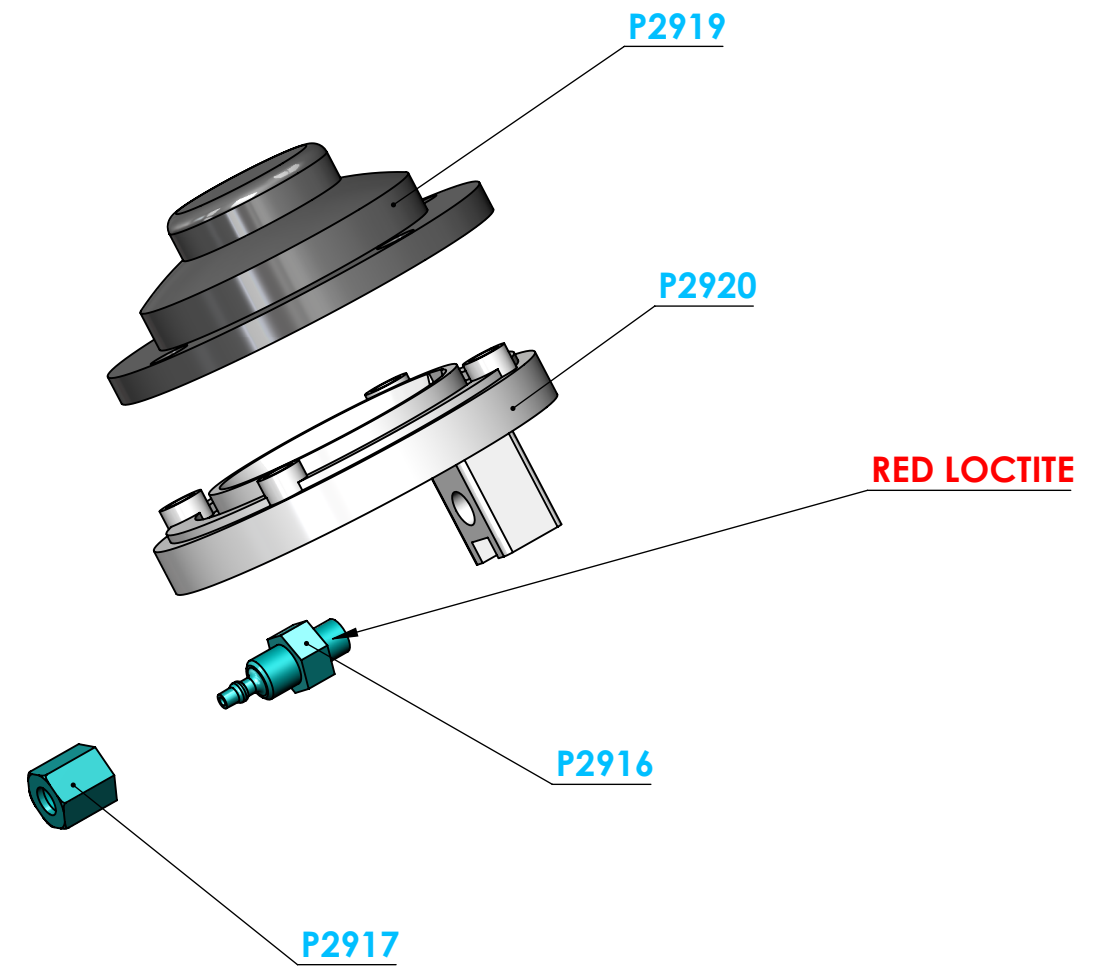
3

2

1

B

B




PART NUMBER	DESCRIPTION	QTY.
P2916	Blue ferrel for Huba valve	1
P2917	Blue nut for Huba valveA3	1
P2919	Rubber foot push button	1
P2920	Plastic housing for foot push button	1

Request for Change

Name	Date
Change Requested	

A

A

	UNLESS OTHERWISE SPECIFIED:	NAME	DATE	TITLE: Repair Kit for Sanispray Foot Push Button
	DIMENSIONS ARE IN INCHES TOLERANCES: FRACTIONAL ± ANGULAR: MACH ± BEND ± TWO PLACE DECIMAL ± THREE PLACE DECIMAL ±	DRAWN	WH	
PROPRIETARY AND CONFIDENTIAL THE INFORMATION CONTAINED IN THIS DRAWING IS THE SOLE PROPERTY OF PSD LLC. ANY REPRODUCTION IN PART OR AS A WHOLE WITHOUT THE WRITTEN PERMISSION OF PSD LLC IS PROHIBITED.	INTERPRET GEOMETRIC TOLERANCING PER:	CHECKED		
	MATERIAL	MFG CHK		
	Assembly	File Location:		SIZE DWG. NO. REV B RKFPB 000
	FINISH	COMMENTS:		SCALE: 1:1 WEIGHT: SHEET 1 OF 1
	DO NOT SCALE DRAWING			

4

3

2

1