

4

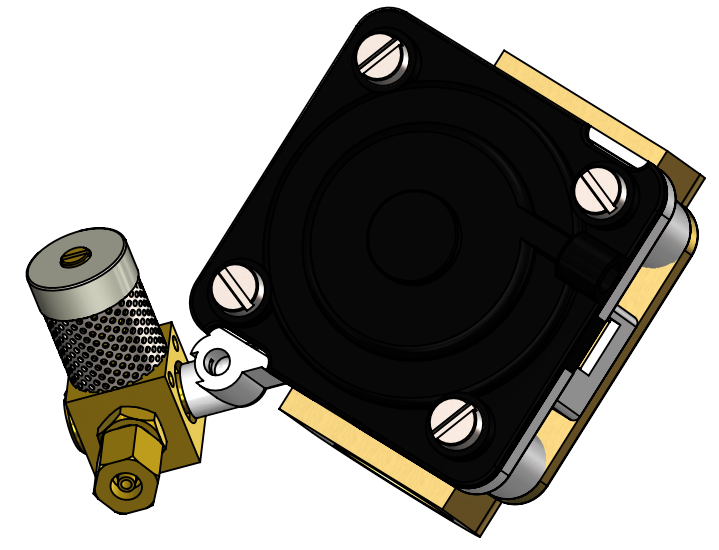
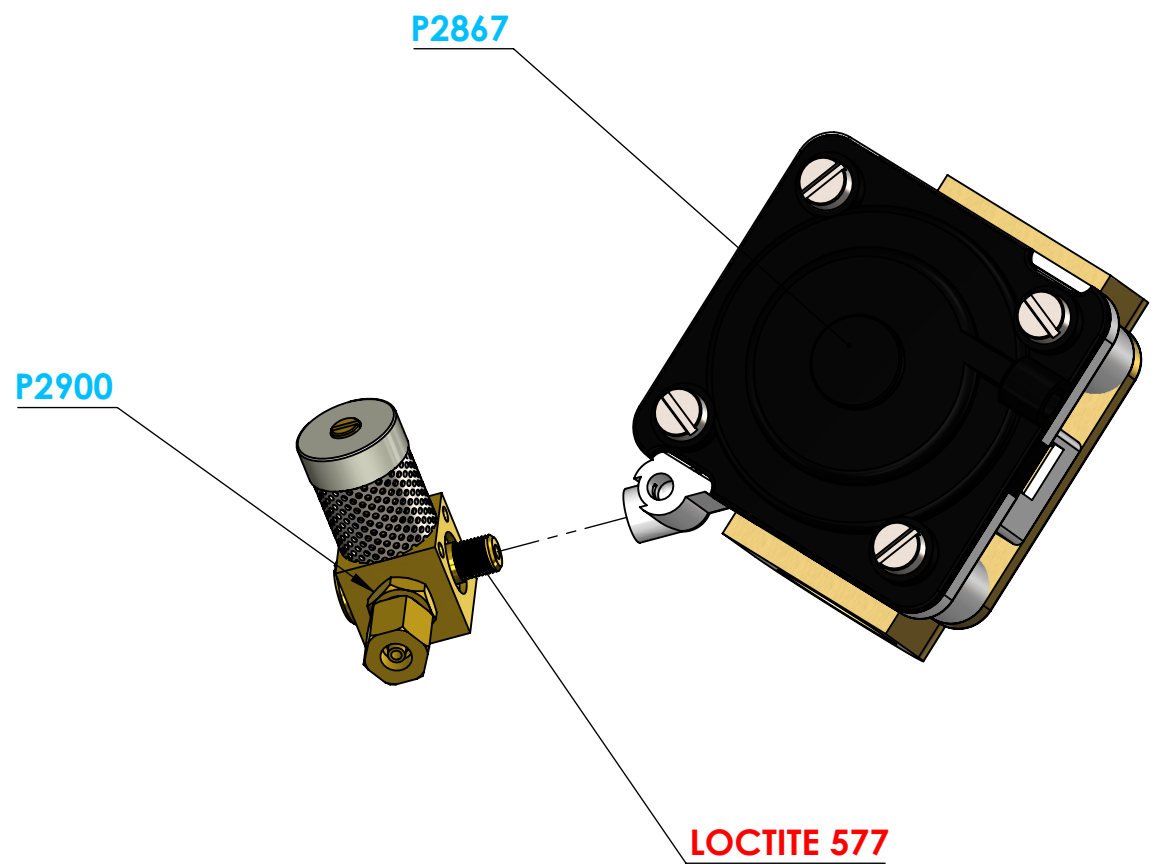
3

2

1

B

B



### Request for Change

Name	Date
------	------

Change Requested

PART NUMBER	DESCRIPTION	QTY.
P2867	Mechanical Control Valve	1
P2900	Timer with Air Tube Connection	1



**PROPRIETARY AND CONFIDENTIAL**

THE INFORMATION CONTAINED IN THIS DRAWING IS THE SOLE PROPERTY OF PSD LLC. ANY REPRODUCTION IN PART OR AS A WHOLE WITHOUT THE WRITTEN PERMISSION OF PSD LLC IS PROHIBITED.

UNLESS OTHERWISE SPECIFIED:	NAME	DATE
DIMENSIONS ARE IN INCHES	WH	07/30/21
TOLERANCES:	DRAWN	
FRACTIONAL ±	CHECKED	
ANGULAR: MACH ± BEND ±	MFG CHK	
TWO PLACE DECIMAL ±		
THREE PLACE DECIMAL ±		
INTERPRET GEOMETRIC TOLERANCING PER:	File Location:	
MATERIAL		
Assembly		
FINISH	COMMENTS:	
DO NOT SCALE DRAWING		

TITLE:

## Repair Kit for Collective Hand Sanispray Valve

SIZE	DWG. NO.	REV
<b>B</b>	RKCH	100
SCALE: 1:1	WEIGHT:	SHEET 1 OF 1

4

3

2

1

A

A