

4

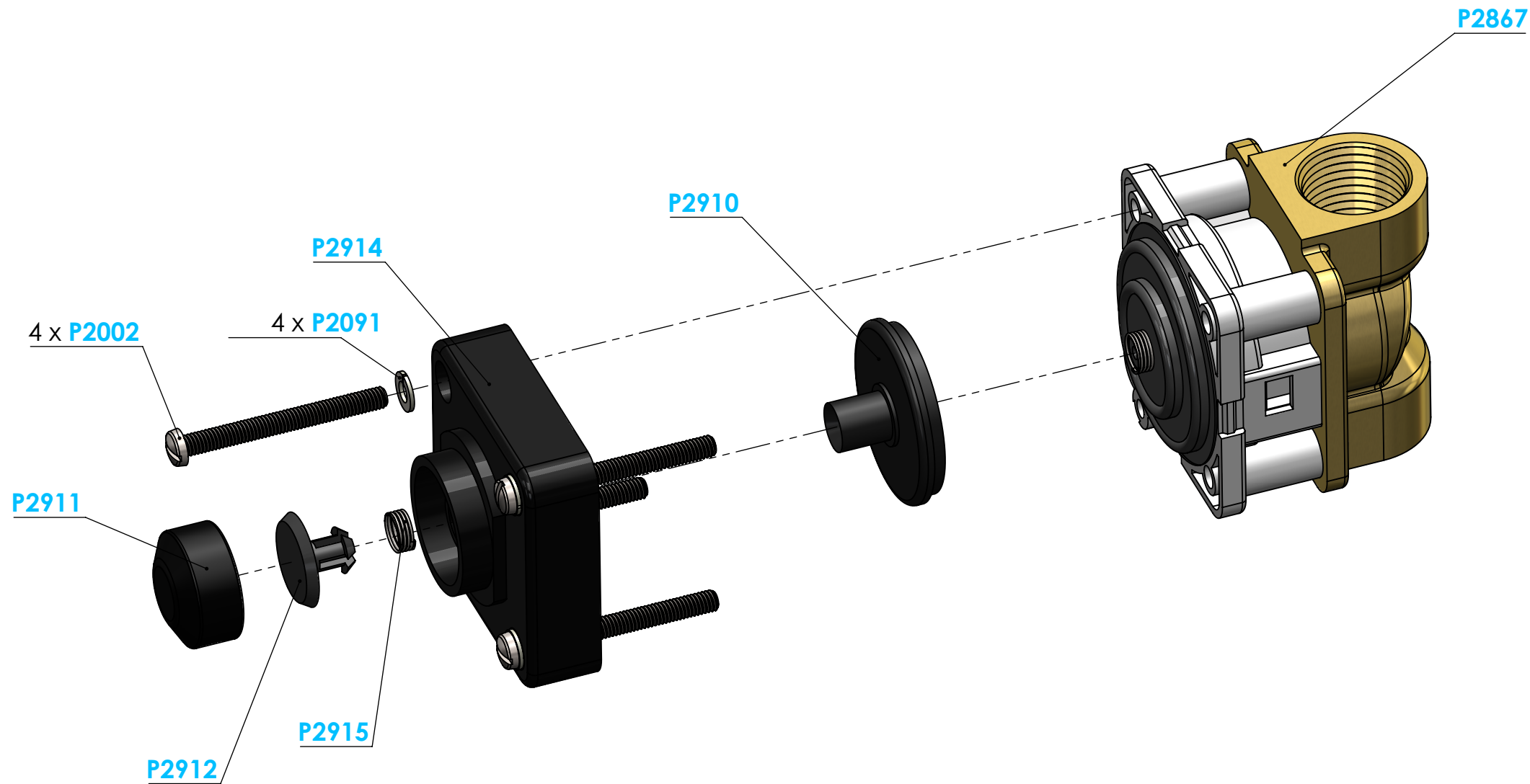
3

2

1

B

B



Request for Change

Name	Date
------	------

Change Requested

TITLE:

Valve Assembly for Collective Foot Sanispray

SIZE	DWG. NO.	REV
B	RKCF	100
SCALE: 1:5	WEIGHT:	SHEET 1 OF 1

PART NUMBER	DESCRIPTION	QTY.
P2002	Stainless Screw M4 x 40	4
P2091	Lock Washer AZ 4 DIN 127 - Stainless	4
P2867	Mechanical Valve	1
P2910	Inner Disc for Top RKCF	1
P2911	Top Part Pushbutton RCF	1
P2912	Inner Part Pushbutton RKCF	1
P2914	Lid Valve RKCF	1
P2915	Spring for Pushbutton RKCF	1

PROPRIETARY AND CONFIDENTIAL

THE INFORMATION CONTAINED IN THIS DRAWING IS THE SOLE PROPERTY OF PSD LLC. ANY REPRODUCTION IN PART OR AS A WHOLE WITHOUT THE WRITTEN PERMISSION OF PSD LLC IS PROHIBITED.

UNLESS OTHERWISE SPECIFIED:		NAME	DATE
DIMENSIONS ARE IN INCHES		DRAWN	WH
TOLERANCES:		CHECKED	08/03/21
FRACTIONAL ±		MFG CHK	
ANGULAR: MACH ±			
BEND ±			
TWO PLACE DECIMAL ±			
THREE PLACE DECIMAL ±			
INTERPRET GEOMETRIC TOLERANCING PER:		File Location:	
MATERIAL		COMMENTS:	
Assembly			
FINISH			
DO NOT SCALE DRAWING			

4

3

2

1

A

A