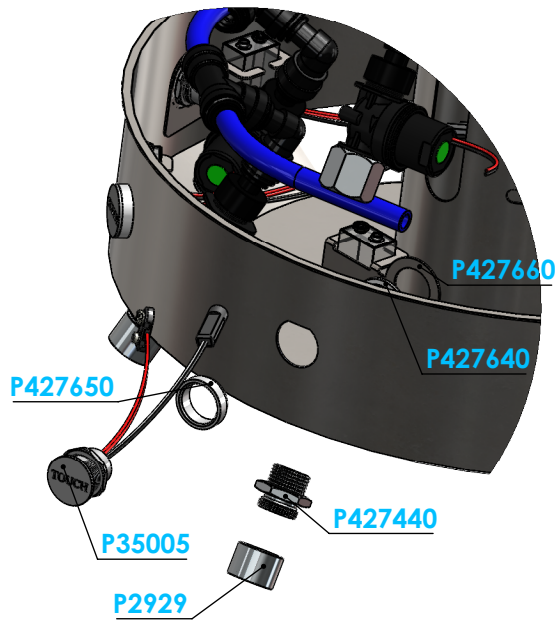


2

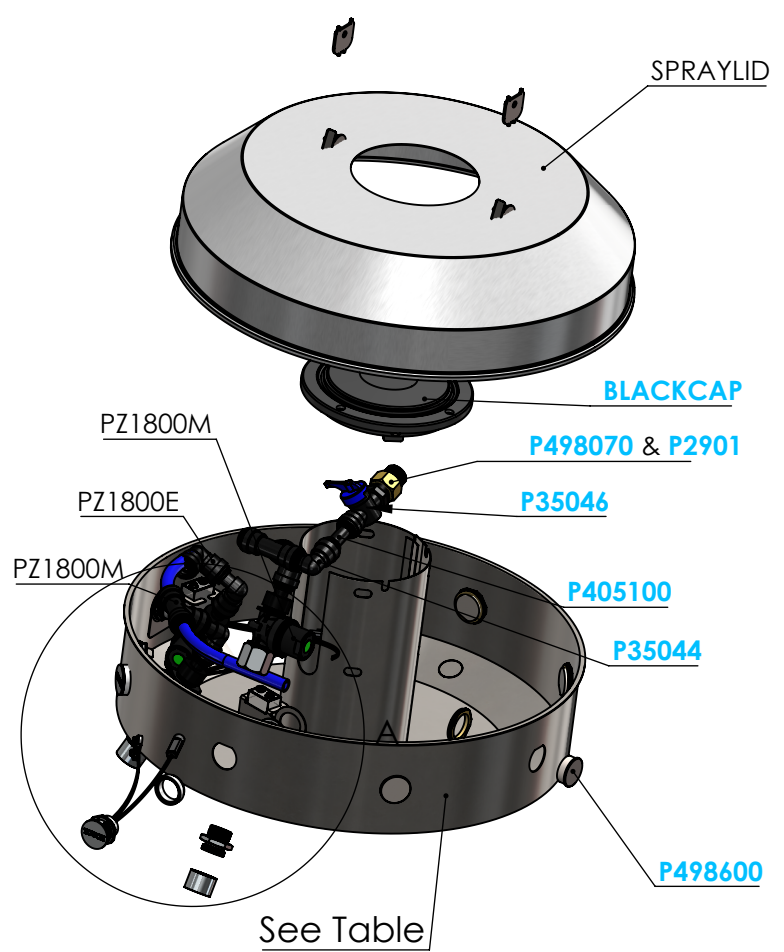
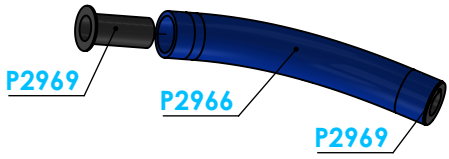
1

B

B



Water Tubing Detail



See Table

A

A

Part Number	Description	77INHP3	77INHP4	77INHP5	77INHP6	77INHP8
<b>BLACKCAP</b>	<i>Black Cap for Sanispray</i>	1	1	1	1	1
P2901	Fiber Ring 18 x 12 D 1.8 mm	1	1	1	1	1
P2929	0.5 GPM Female Aerator	3	4	5	6	8
P2966	Blue Plastic Tubing 12 mm	1.5	2	2	4	4
P2969	Insert for Blue 12 mm Tubing	4	6	8	10	14
P3100	9v Battery	3	4	5	6	7
P35005	9V Piezo Button with 9V Connector	3	4	5	6	8
P35044	Quick Connect 12 mm Stem Elbow	1	1	1	1	1
P35046	Shutt-Off Quick Connect 12 mm	1	1	1	1	1
P405100	Piece 8-12 Connector	1	1	1	1	1
P427640	Large Washer for Piezo Button Sanispray	3	4	5	6	8
P427650	Outside Piezo Button Ring for Sanispray	3	4	5	6	8
P427660	Battery Holder for Piezo Sanispray	3	4	5	6	8
P428490	Shell for 3/5/8-user IH Sanispray	1	0	1	0	1
P428500	Shell for 4/8-user IH Sanispray	0	1	0	1	0
P498070	Brass Nipple from Manifold to Flexible	1	1	1	1	1
P498210	Key for Sanispray Head	2	2	2	2	2
P498600	Stainless Pushbutton Plug	5	2	3	0	0
PZE1800E	End Valve Assembly for Piezo Sanispray	1	1	1	1	1
PZE1800M	Middle Valve Assembly for Piezo Sanispray	2	3	4	5	7
SPRAYLID	Lid Assembly for Water Distribution Heads	1	1	1	1	1



DIMENSIONS ARE IN INCHES  
 TOLERANCES:  
 FRACTIONAL ±  
 ANGULAR: MACH ± BEND ±  
 TWO PLACE DECIMAL ±  
 THREE PLACE DECIMAL ±

MATERIAL  
 FINISH  
 DO NOT SCALE DRAWING

NAME DATE  
 DRAWN WH 08/05/21

File Location:

Assembly for Water Distribution Head for Piezo Sanispray Washfountains

THE INFORMATION CONTAINED IN THIS DRAWING IS THE SOLE PROPERTY OF PSD LLC. ANY REPRODUCTION IN PART OR AS A WHOLE WITHOUT THE WRITTEN PERMISSION OF PSD LLC IS PROHIBITED.

SIZE DWG. NO. **A PZ Head** REV. 001  
 SCALE:1:20 WEIGHT: SHEET 1 OF 1

2

1