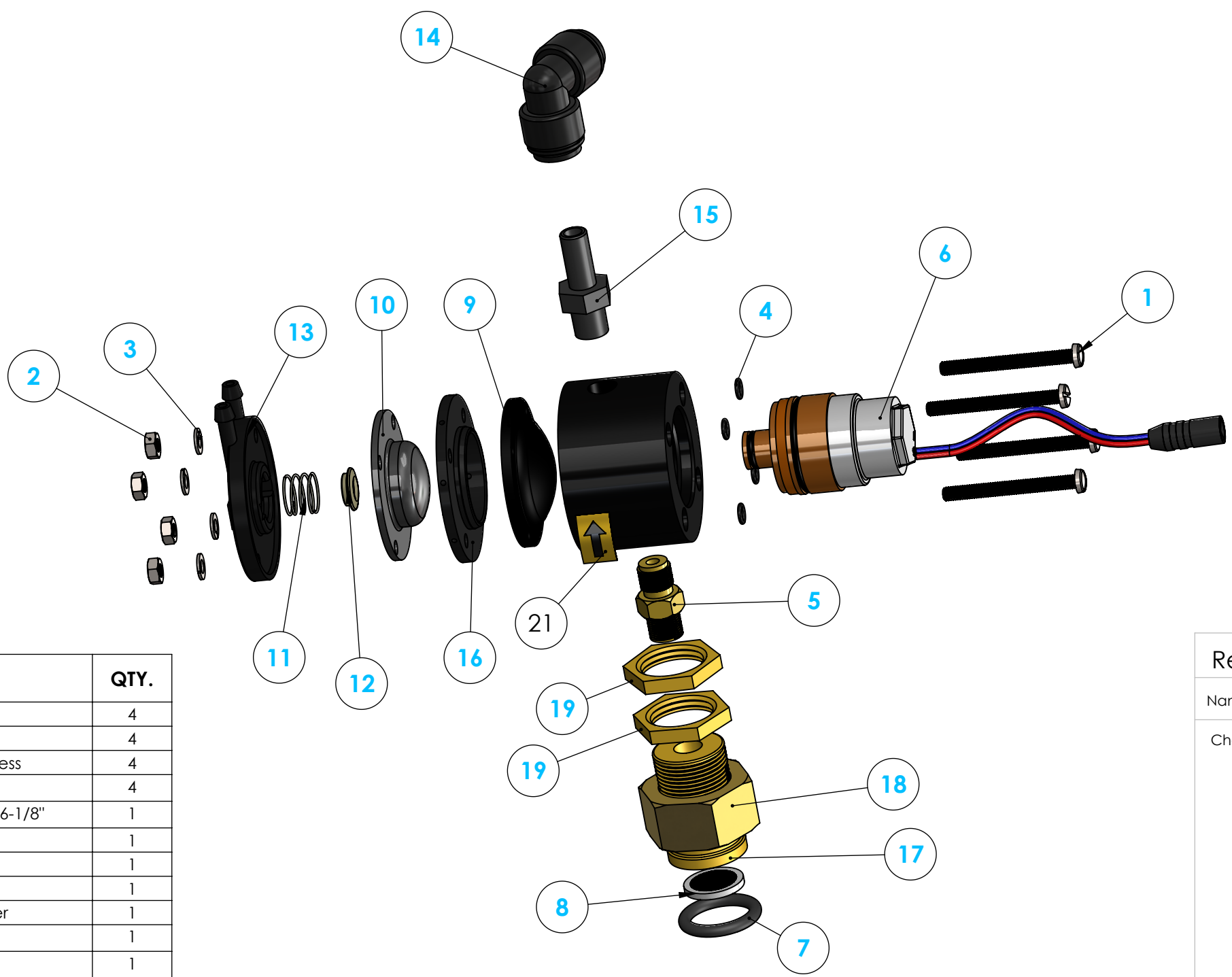


4

3

2

1



ITEM NO.	PART NUMBER	DESCRIPTION	QTY.
1	P2002	Stainless Screw M4 x 40	4
2	P2063	M4-.7 Hex Jam Nut	4
3	P2091	Washer AZ 4 DIN 127 Stainless	4
4	P2184	4 mm O-ring	4
5	P2445	Straight Brass Nipple SO 1100-6-1/8"	1
6	P2707	6V Solenoid	1
7	P2798	3/4" White Washer	1
8	P2904	Screen Washer	1
9	P3001	Rubber Membrane Water	1
10	P3002	Soap Diaphragm Valve	1
11	P3003	Spring for Soap Pump	1
12	P3004	Spring Protector Soap Diaphragm	1
13	P3005	Soap Valve Lid	1
14	P35039	Quick Connect Elbow 8mm	1
15	P35045	M8 x 8mm Straight Coupler	1
16	P427850	Black Soap Valve Seal	1
17	P451380	1/8F x 1/2M Nipple	1
18	P498020	Coupling Nut	1
19	P498250	Flat Nut 1/2 Wg	2
20	P498620	Valve body	1
21	P8257	Arrow sticker	2

Request for Change

Name _____ Date _____

Change Requested _____



UNLESS OTHERWISE SPECIFIED:		NAME	DATE
DIMENSIONS ARE IN INCHES		DRAWN	WH
TOLERANCES:		CHECKED	11/8/2021
FRACTIONAL ±		MFG CHK	
ANGULAR: MACH ± BEND ±			
TWO PLACE DECIMAL ±			
THREE PLACE DECIMAL ±			

PROPRIETARY AND CONFIDENTIAL

INTERPRET GEOMETRIC TOLERANCING PER: _____

MATERIAL Assembly

FINISH _____

DO NOT SCALE DRAWING

THE INFORMATION CONTAINED IN THIS DRAWING IS THE SOLE PROPERTY OF PSD LLC. ANY REPRODUCTION IN PART OR AS A WHOLE WITHOUT THE WRITTEN PERMISSION OF PSD LLC IS PROHIBITED.

TITLE: Valve Set for Sensor Saniwave/Solidwave - Generation 2

SIZE	DWG. NO.	REV
B	PSE1804M	001
SCALE: 1:5	WEIGHT:	SHEET 1 OF 1

4

3

2

1

B

B

A

A