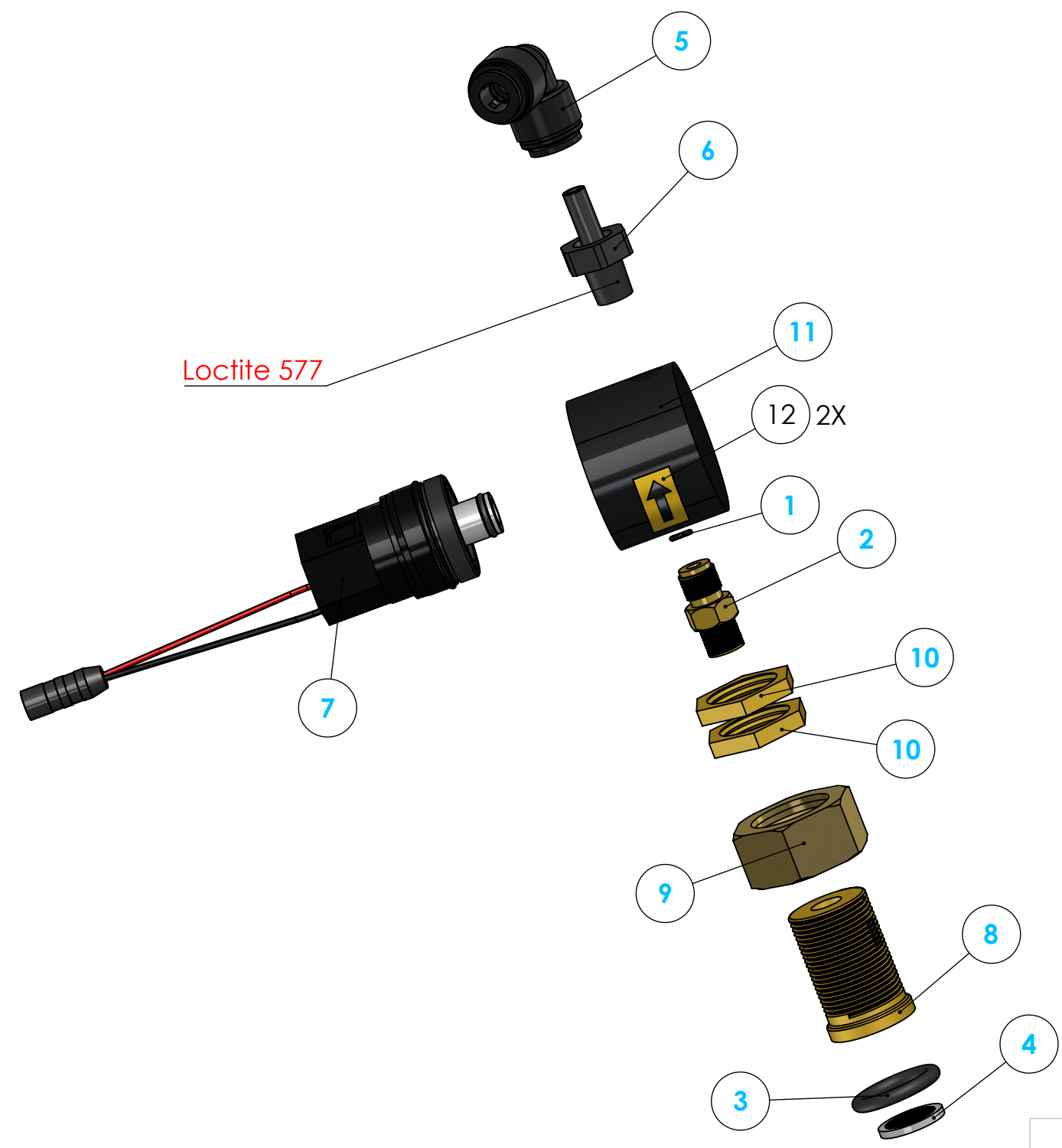


4

3

2

1



ITEM NO.	PART NUMBER	DESCRIPTION	QTY.
1	P2184	4 mm O-ring	1
2	P2445	Straight Brass Nipple SO 1100-6-1/8"	1
3	P2798	3/4" White Washer	1
4	P2904	Screen Washer	1
5	P35039	Quick Connect Elbow 8mm	1
6	P35049	Stem Connector 6 mm to 1/8M	1
7	P35063	6V Solenoid for Sensor Units	1
8	P451380	1/8F x 1/2M Nipple	1
9	P498020	Coupling Nut	1
10	P498250	Flat Nut 1/2 Wg	2
11	P498620NS	No Soap Valve Body Muller	1
12	P8257	Arrow sticker	2

Request for Change

Name _____ Date _____

Change Requested

PROPRIETARY AND CONFIDENTIAL

THE INFORMATION CONTAINED IN THIS DRAWING IS THE SOLE PROPERTY OF PSD LLC. ANY REPRODUCTION IN PART OR AS A WHOLE WITHOUT THE WRITTEN PERMISSION OF PSD LLC IS PROHIBITED.

UNLESS OTHERWISE SPECIFIED:		NAME	DATE
DIMENSIONS ARE IN INCHES		DRAWN	WH 4/8/2022
TOLERANCES:		CHECKED	
FRACTIONAL ±		MFG CHK	
ANGULAR: MACH ± BEND ±			
TWO PLACE DECIMAL ±			
THREE PLACE DECIMAL ±			
INTERPRET GEOMETRIC TOLERANCING PER:		File Location:	
MATERIAL			
FINISH		COMMENTS:	
DO NOT SCALE DRAWING			

TITLE:

**Sensor Valve Assembly
Saniwave - No Soap**

SIZE	DWG. NO.	REV
B	PSE1804M6NS	001

SCALE: 1:2 WEIGHT: SHEET 1 OF 1

4

3

2

1

B

B

A

A