

4

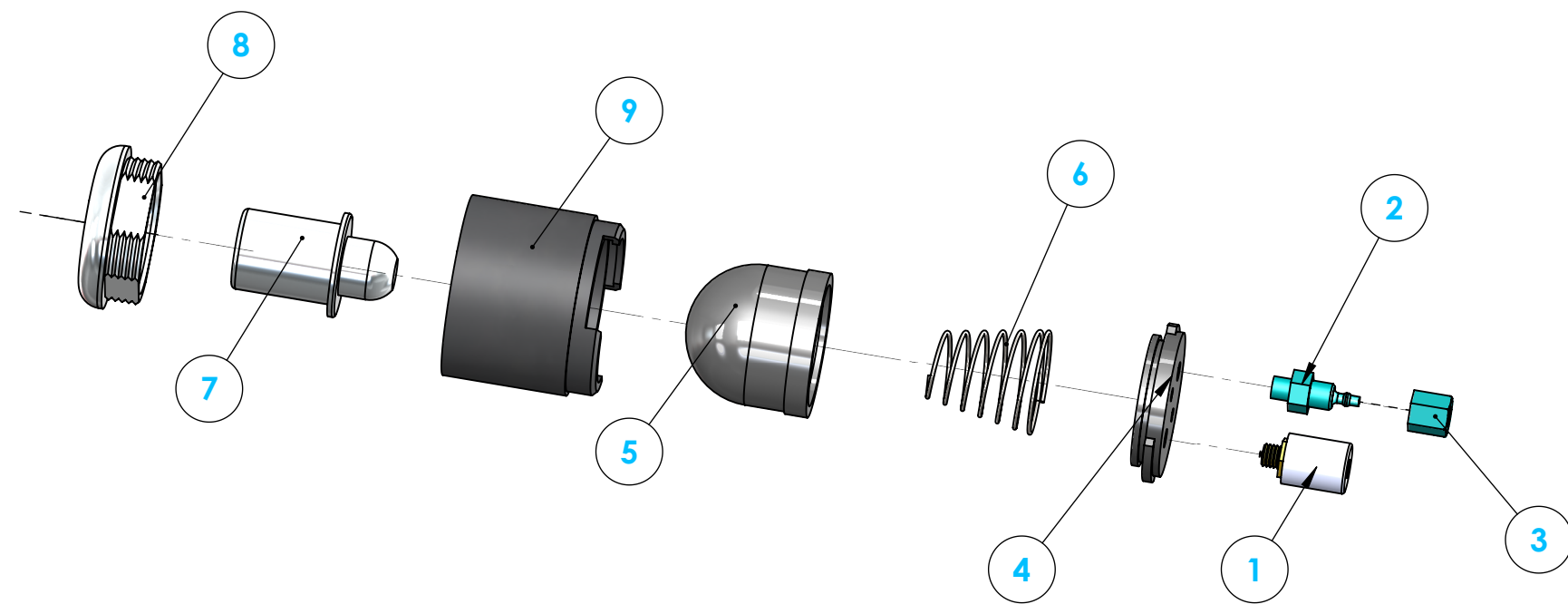
3

2

1

B

B



Request for Change


Name	Date
------	------

Change Requested

ITEM NO.	PART NUMBER	DESCRIPTION	QTY.
1	P2868	Timer for Huba Metering Valve	1
2	P2916	Ferrule for Huba Valve	1
3	P2917	Nut for Huba Valve	1
4	P2936	Backing Plate for Sanifount Pushbutton Housing	1
5	P2937	Rubber Pushbutton Diaphragm	1
6	P2938	Pushbutton Spring Sanifount	1
7	P498290	pushbutton Sanifount	1
8	P498300	Outside Nut for Sanifount Pushbutton	1
9	P498310	Pushbutton Housing Sanifount	1

A

A

	UNLESS OTHERWISE SPECIFIED:	NAME	DATE
	DIMENSIONS ARE IN INCHES	DRAWN	WH 11/9/2021
	TOLERANCES:	CHECKED	
	FRACTIONAL ±	MFG CHK	
ANGULAR: MACH ± BEND ±	File Location:		
TWO PLACE DECIMAL ±			
THREE PLACE DECIMAL ±			
PROPRIETARY AND CONFIDENTIAL INTERPRET GEOMETRIC TOLERANCING PER: MATERIAL Assembly FINISH THE INFORMATION CONTAINED IN THIS DRAWING IS THE SOLE PROPERTY OF PSD LLC. ANY REPRODUCTION IN PART OR AS A WHOLE WITHOUT THE WRITTEN PERMISSION OF PSD LLC IS PROHIBITED. DO NOT SCALE DRAWING	COMMENTS:		

TITLE:

Water Pushbutton Sanifount

SIZE	DWG. NO.	REV
B	PBWATER	001

SCALE: 1:5 WEIGHT: 0.1481 SHEET 1 OF 1

4

3

2

1