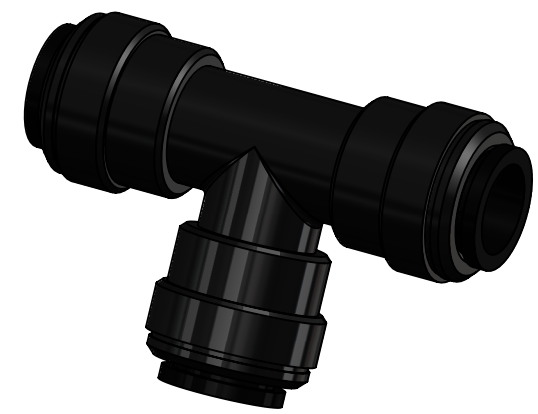


4

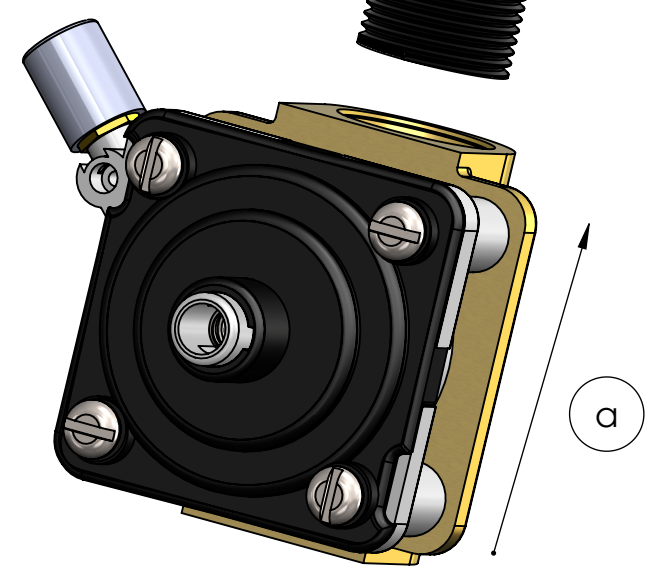
3

2

1



PART NUMBER	DESCRIPTION	QTY.
P2866	IH Valve with Timer	1
P35042	12 mm Quick Connect Tee	1
P35043	Stem Adaptor 1/2" M -12 mm	1



(a) Direction of the arrow on the brass valve body

Request for Change

Name	Date
------	------

Change Requested



UNLESS OTHERWISE SPECIFIED:	NAME	DATE
DIMENSIONS ARE IN INCHES	DRAWN	WH
TOLERANCES:	CHECKED	07/30/21
FRACTIONAL ±	MFG CHK	
ANGULAR: MACH ± BEND ±		
TWO PLACE DECIMAL ±		
THREE PLACE DECIMAL ±		
INTERPRET GEOMETRIC TOLERANCING PER:	File Location:	
MATERIAL		
Assembly		
FINISH	COMMENTS:	
DO NOT SCALE DRAWING		

TITLE:
Middle Valve Set for Individual Hand Sansipray with Low Lid

SIZE	DWG. NO.	REV
B	P5030M	100
SCALE: 1:2	WEIGHT:	SHEET 1 OF 1

PROPRIETARY AND CONFIDENTIAL
THE INFORMATION CONTAINED IN THIS DRAWING IS THE SOLE PROPERTY OF PSD LLC. ANY REPRODUCTION IN PART OR AS A WHOLE WITHOUT THE WRITTEN PERMISSION OF PSD LLC IS PROHIBITED.

4

3

2

1

B

B

A

A