

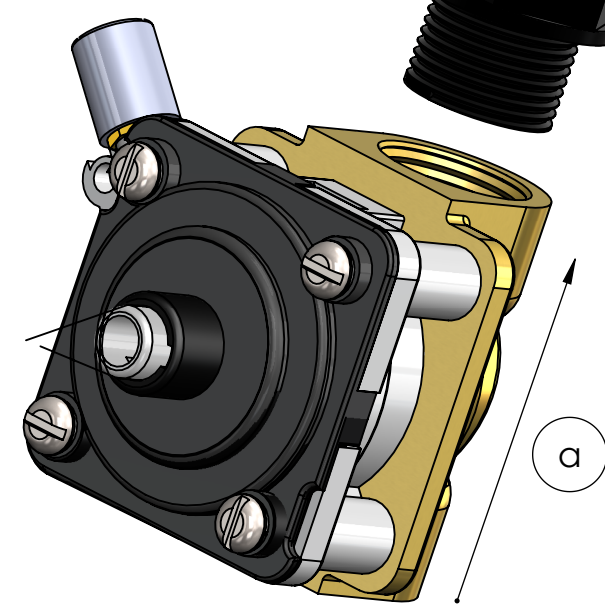
4

3

2

1

PART NUMBER	DESCRIPTION	QTY.
P2866	IH Valve with Timer	1
P2935	23° Elbow for Nozzle Holder	1
P35042	12 mm Quick Connet Tee	1
P35043	Stem Adaptor 1/2" M -12 mm	1




(a) Direction of the arrow on the brass valve body



Request for Change

Name	Date
Change Requested	

	UNLESS OTHERWISE SPECIFIED:	NAME	DATE
	DIMENSIONS ARE IN INCHES TOLERANCES: FRACTIONAL ± ANGULAR: MACH ± BEND ± TWO PLACE DECIMAL ± THREE PLACE DECIMAL ±	DRAWN	WH
PROPRIETARY AND CONFIDENTIAL THE INFORMATION CONTAINED IN THIS DRAWING IS THE SOLE PROPERTY OF PSD LLC. ANY REPRODUCTION IN PART OR AS A WHOLE WITHOUT THE WRITTEN PERMISSION OF PSD LLC IS PROHIBITED.	INTERPRET GEOMETRIC TOLERANCING PER:	CHECKED	
	MATERIAL	MFG CHK	
	Assembly	File Location:	
	FINISH	COMMENTS:	
	DO NOT SCALE DRAWING		

TITLE:		
Middle Valve Set for Individual hand Sanispray with High Lid		
SIZE	DWG. NO.	REV
B	P5030MH	100
SCALE: 1:2	WEIGHT:	SHEET 1 OF 1

4

3

2

1

B

B

A

A