

4

3

2

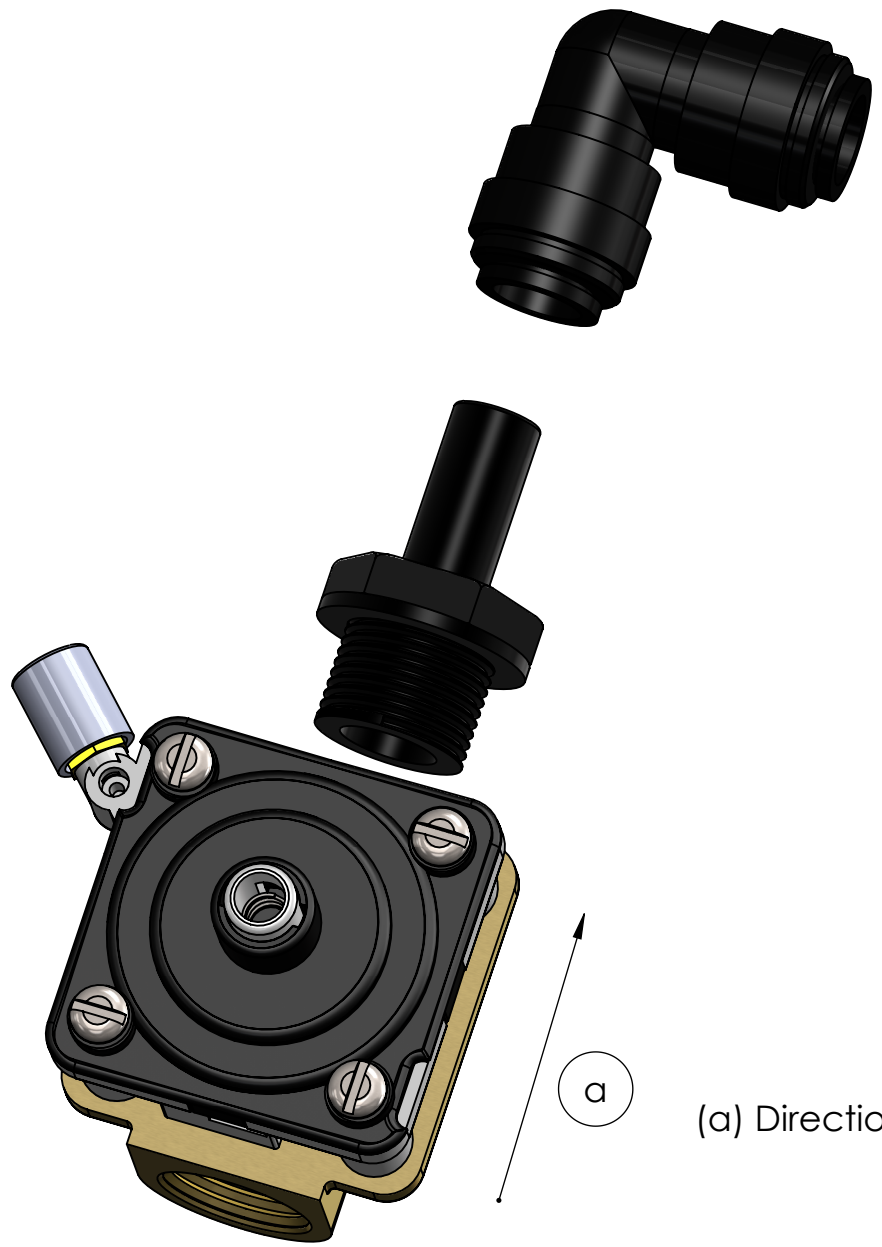
1

B

B

A

A




(a) Direction of the arrow on the brass valve body

PART NUMBER	DESCRIPTION	QTY.
P2866	IH Valve with Timer	1
P35040	Quick Connect Elbow 12 mm	1
P35043	Stem Adaptor 1/2" M -12 mm	1

### Request for Change

Name	Date
Change Requested	

	UNLESS OTHERWISE SPECIFIED:	NAME	DATE	<b>TITLE:</b> End Valve for Individual Hand Sansipray with Low Lid	
	DIMENSIONS ARE IN INCHES TOLERANCES: FRACTIONAL ± ANGULAR: MACH ± BEND ± TWO PLACE DECIMAL ± THREE PLACE DECIMAL ±	DRAWN	WH		07/30/21
<b>PROPRIETARY AND CONFIDENTIAL</b>  INTERPRET GEOMETRIC TOLERANCING PER: MATERIAL Assembly FINISH  DO NOT SCALE DRAWING	THE INFORMATION CONTAINED IN THIS DRAWING IS THE SOLE PROPERTY OF PSD LLC. ANY REPRODUCTION IN PART OR AS A WHOLE WITHOUT THE WRITTEN PERMISSION OF PSD LLC IS PROHIBITED.	CHECKED			<b>SIZE</b> DWG. NO. <b>REV</b> <b>B</b> P5030E 100
	COMMENTS:	MFG CHK			