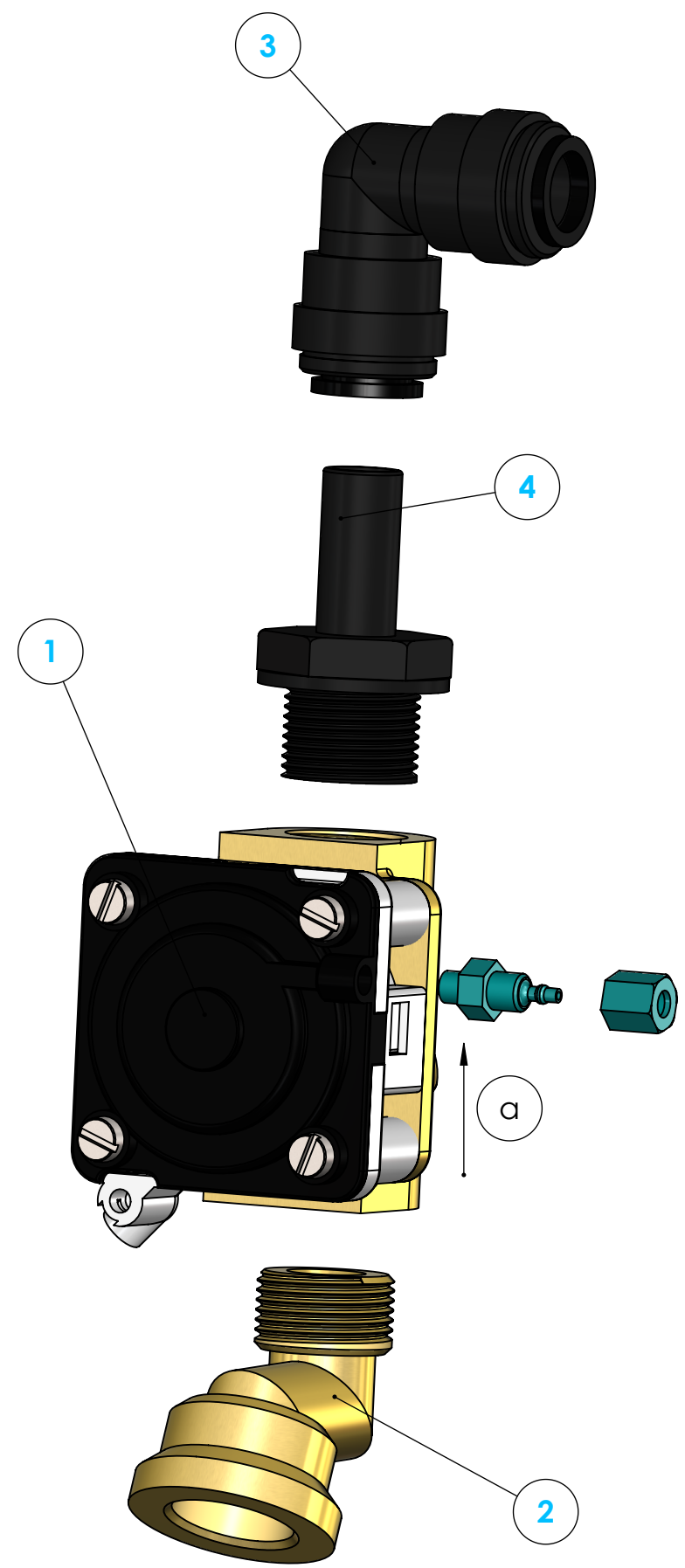


4

3

2

1



ITEM NO.	PART NUMBER	DESCRIPTION	QTY.
1	P2866	IH Valve with Timer	1
2	P2935	23° Elbow for Nozzle Holder	1
3	P35040	12 mm Quick Connect Elbow	1
4	P35043	Stem Adaptor 1/2" M -12 mm	1

(a) Direction of the arrow on the brass valve body

Request for Change

Name	Date
Change Requested	

**AQUADESIGN**  
MANUFACTURING

UNLESS OTHERWISE SPECIFIED:

DIMENSIONS ARE IN INCHES  
TOLERANCES:  
FRACTIONAL ±  
ANGULAR: MACH ± BEND ±  
TWO PLACE DECIMAL ±  
THREE PLACE DECIMAL ±

PROPRIETARY AND CONFIDENTIAL

THE INFORMATION CONTAINED IN THIS DRAWING IS THE SOLE PROPERTY OF PSD LLC. ANY REPRODUCTION IN PART OR AS A WHOLE WITHOUT THE WRITTEN PERMISSION OF PSD LLC IS PROHIBITED.

DO NOT SCALE DRAWING

NAME	DATE
WH	07/30/21
DRAWN	
CHECKED	
MFG CHK	
File Location:	
COMMENTS:	

TITLE:  
End Valve Set for Individual Hand Sanispray with High Lid

SIZE	DWG. NO.	REV
<b>B</b>	P5030EH	100
SCALE: 1:5	WEIGHT:	SHEET 1 OF 1

4

3

2

1

B

B

A

A