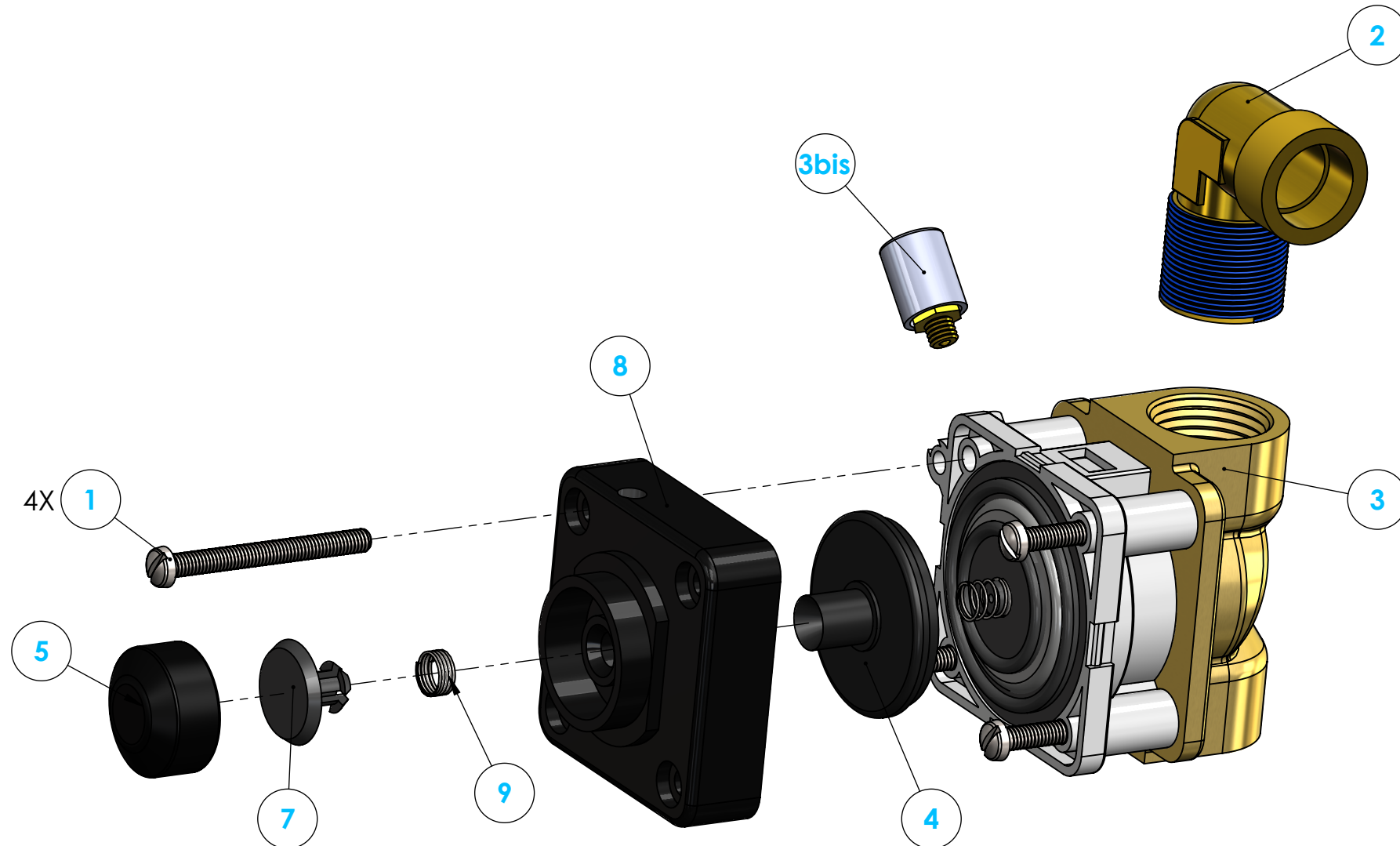


4

3

2

1



ITEM NO.	PART NUMBER	DESCRIPTION	QTY.
1	P2002	Stainless Screw M4 x 40	4
2	P2838	1/2" compression elbow fitting	1
3	P2867	Mechanical Valve	1
4	P2910	Inner Disc for Top RKCF	1
5	P2911	Top Part Pushbutton RCF	1
7	P2912	Inner Part Pushbutton RKCF	1
8	P2914	Lid Valve RKCF	1
9	P2915	Spring for Pushbutton RKCF	1

Request for Change

Name	Date
Change Requested	

	UNLESS OTHERWISE SPECIFIED:	NAME	DATE	TITLE:	
	DIMENSIONS ARE IN INCHES TOLERANCES: FRACTIONAL ± ANGULAR: MACH ± BEND ± TWO PLACE DECIMAL ± THREE PLACE DECIMAL ±	DRAWN	WH		03/01/23
PROPRIETARY AND CONFIDENTIAL THE INFORMATION CONTAINED IN THIS DRAWING IS THE SOLE PROPERTY OF PSD LLC. ANY REPRODUCTION IN PART OR AS A WHOLE WITHOUT THE WRITTEN PERMISSION OF PSD LLC IS PROHIBITED.	INTERPRET GEOMETRIC TOLERANCING PER: MATERIAL Assembly FINISH	CHECKED			
		MFG CHK			
		File Location:			
		COMMENTS:			
	DO NOT SCALE DRAWING				

SIZE	DWG. NO.	REV
B	5030C	102
SCALE: 1:5	WEIGHT:	SHEET 1 OF 1

4

3

2

1

B

B

A

A