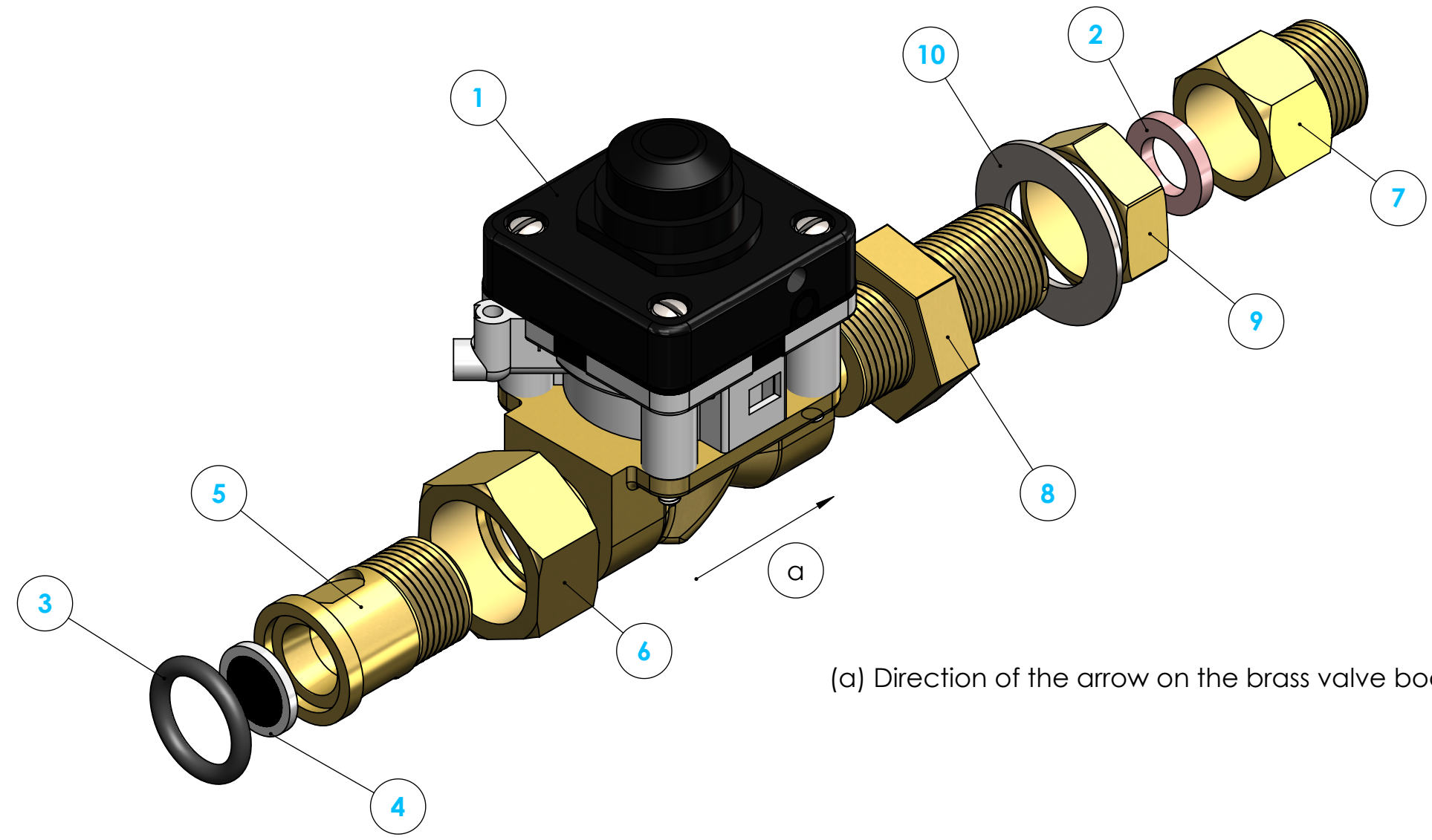


4

3

2

1



(a) Direction of the arrow on the brass valve body

Request for Change

Name	Date
------	------

Change Requested

ITEM NO.	PART NUMBER	DESCRIPTION	QTY.
1	RKCF	Repair kit collective foot	1
2	P2189	White Rubber Washer	1
3	P2798	3/4" White Washer	1
4	P2904	Screen Washer	1
5	P498010	Coupler 3/4"FX1/2"M	1
6	P498020	Coupling Nut	1
7	P498070	Brass Nipple from Manifold to Flexible	1
8	P498080	Brass Union for Collective Metering Valve	1
9	P498130	1/2" Tie Nut	1
10	U160110	7/8 Flat Washer	1



PROPRIETARY AND CONFIDENTIAL

THE INFORMATION CONTAINED IN THIS DRAWING IS THE SOLE PROPERTY OF PSD LLC. ANY REPRODUCTION IN PART OR AS A WHOLE WITHOUT THE WRITTEN PERMISSION OF PSD LLC IS PROHIBITED.

UNLESS OTHERWISE SPECIFIED:	NAME	DATE
DIMENSIONS ARE IN INCHES	WH	08/03/21
TOLERANCES:	DRAWN	
FRACTIONAL ±	CHECKED	
ANGULAR: MACH ± BEND ±	MFG CHK	
TWO PLACE DECIMAL ±		
THREE PLACE DECIMAL ±		
INTERPRET GEOMETRIC TOLERANCING PER:	File Location:	
MATERIAL		
Assembly		
FINISH	COMMENTS:	
DO NOT SCALE DRAWING		

TITLE:
Complete Valve Assembly for Collective Foot Sanispray

SIZE	DWG. NO.	REV
B	P5020	101
SCALE: 1:5	WEIGHT:	SHEET 1 OF 1

4

3

2

1

B

B

A

A