

4

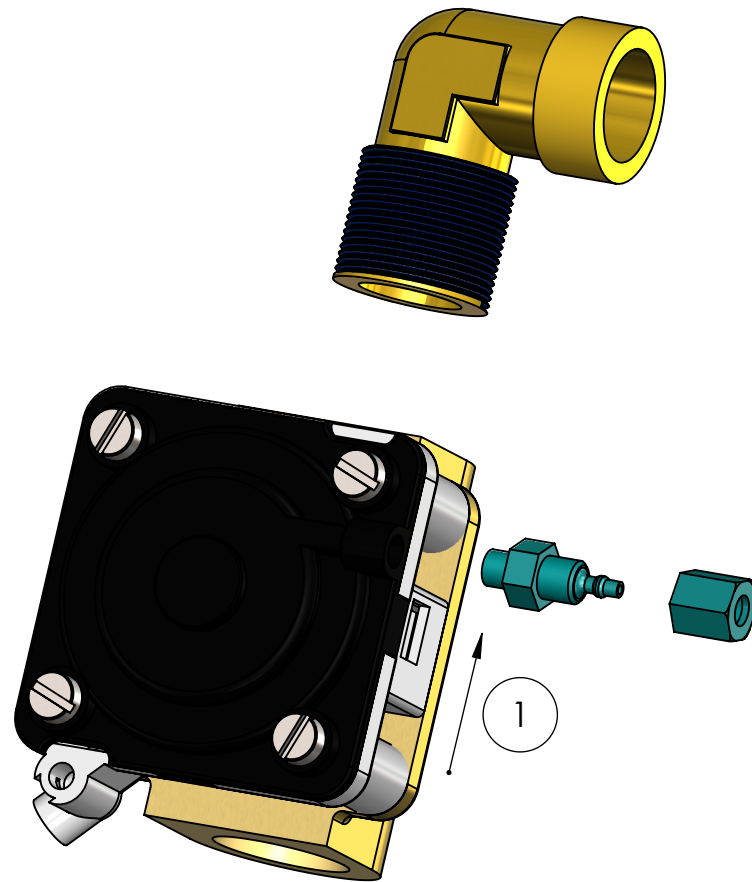
3

2

1

B

B



PART NUMBER	DESCRIPTION	QTY.
P2838	1/2" compression elbow fitting	1
P2867	Remote Activated Valve	1
P2916	Ferrule for Huba Valve	1
P2917	Nut for Huba Valve	1

Request for Change

Name	Date
------	------

Change Requested

A

A

1. Direction of the arrow on the brass valve body

	UNLESS OTHERWISE SPECIFIED:	NAME	DATE	TITLE: Valve Assembly for Individual Foot Sanispray with Copper Manifold
	DIMENSIONS ARE IN INCHES TOLERANCES: FRACTIONAL ± ANGULAR: MACH ± BEND ± TWO PLACE DECIMAL ± THREE PLACE DECIMAL ±	DRAWN	WH	
PROPRIETARY AND CONFIDENTIAL INTERPRET GEOMETRIC TOLERANCING PER: MATERIAL Assembly FINISH		CHECKED		
		MFG CHK		
THE INFORMATION CONTAINED IN THIS DRAWING IS THE SOLE PROPERTY OF PSD LLC. ANY REPRODUCTION IN PART OR AS A WHOLE WITHOUT THE WRITTEN PERMISSION OF PSD LLC IS PROHIBITED. DO NOT SCALE DRAWING	File Location:			SIZE DWG. NO. REV B P5015C 001
	COMMENTS:			SCALE: 1:1 WEIGHT: SHEET 1 OF 1

4

3

2

1