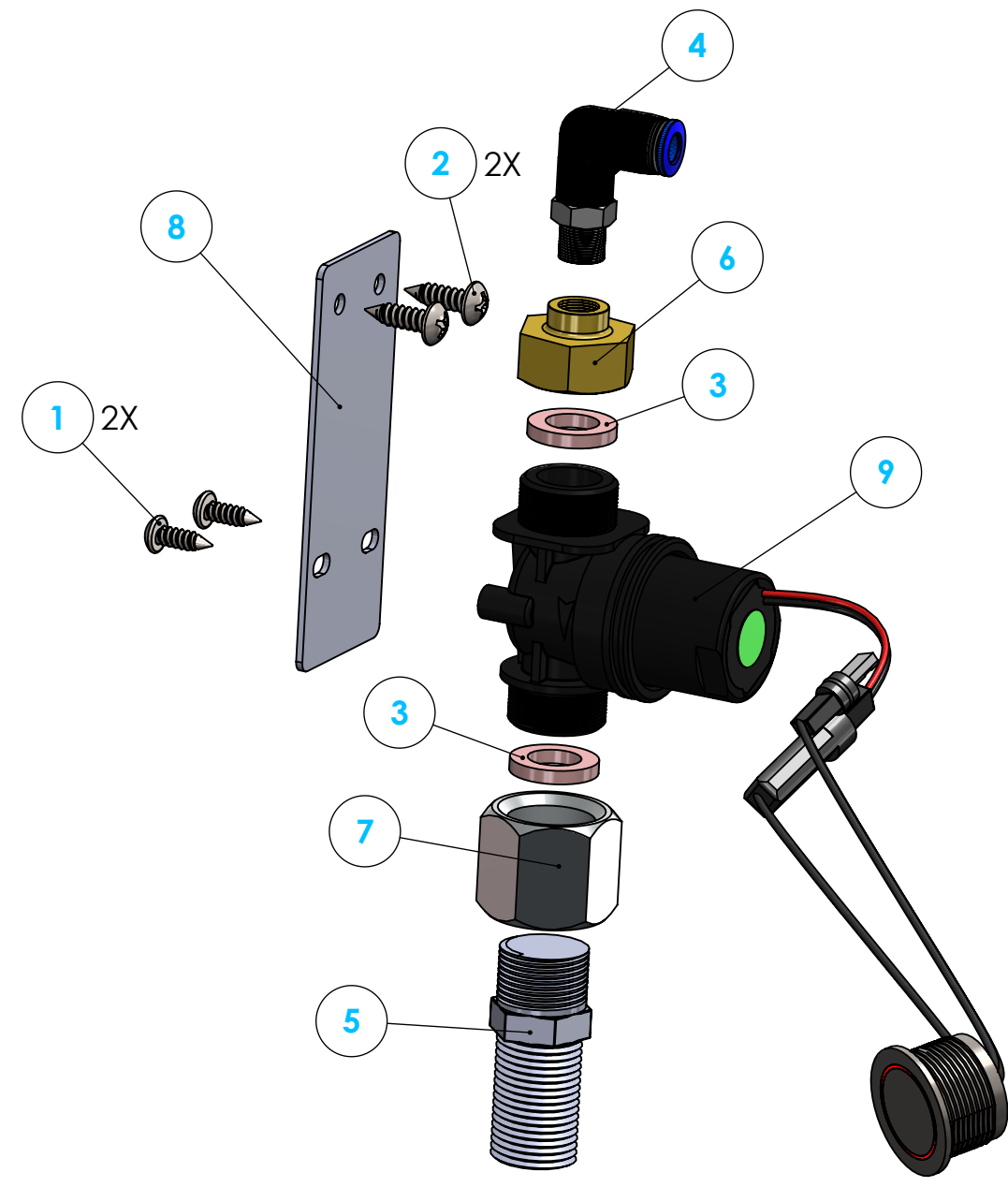


4

3

2

1




ITEM NO.	PART NUMBER	DESCRIPTION	QTY.
1	P2130	#8 x 1/2 pan Head Phillips Screw	2
2	P2134	#10 x 5/8 Pan head Phillips Screw	2
3	P2189	White Rubber Washer	2
4	P2470	Quick Connect Elbor for 6 mm Water Tubing	1
5	P2821	Check valve for Taco TMV	1
6	P35025	Nipple 1/2F x 1/8F	1
7	P430080	1/2" Straight Connector	1
8	P456600	Valve Bracket LRHD	1
9	U103001	APS Red Kit for Faucet	1

Request for Change

Name \_\_\_\_\_ Date \_\_\_\_\_

Change Requested \_\_\_\_\_



**PROPRIETARY AND CONFIDENTIAL**

THE INFORMATION CONTAINED IN THIS DRAWING IS THE SOLE PROPERTY OF PSD LLC. ANY REPRODUCTION IN PART OR AS A WHOLE WITHOUT THE WRITTEN PERMISSION OF PSD LLC IS PROHIBITED.

UNLESS OTHERWISE SPECIFIED:		NAME	DATE
DIMENSIONS ARE IN INCHES		WH	3/29/2022
TOLERANCES:			
FRACTIONAL ±			
ANGULAR: MACH ±	BEND ±		
TWO PLACE DECIMAL ±			
THREE PLACE DECIMAL ±			
MATERIAL	Assembly		
FINISH			
DO NOT SCALE DRAWING		COMMENTS:	

TITLE:  
**LRHD Valve Assembly for  
with Red Piezo Button**

SIZE <b>B</b>	DWG. NO. LRPIEZRED	REV 001
SCALE: 1:5	WEIGHT:	SHEET 1 OF 1

4

3

2

1

B

B

A

A