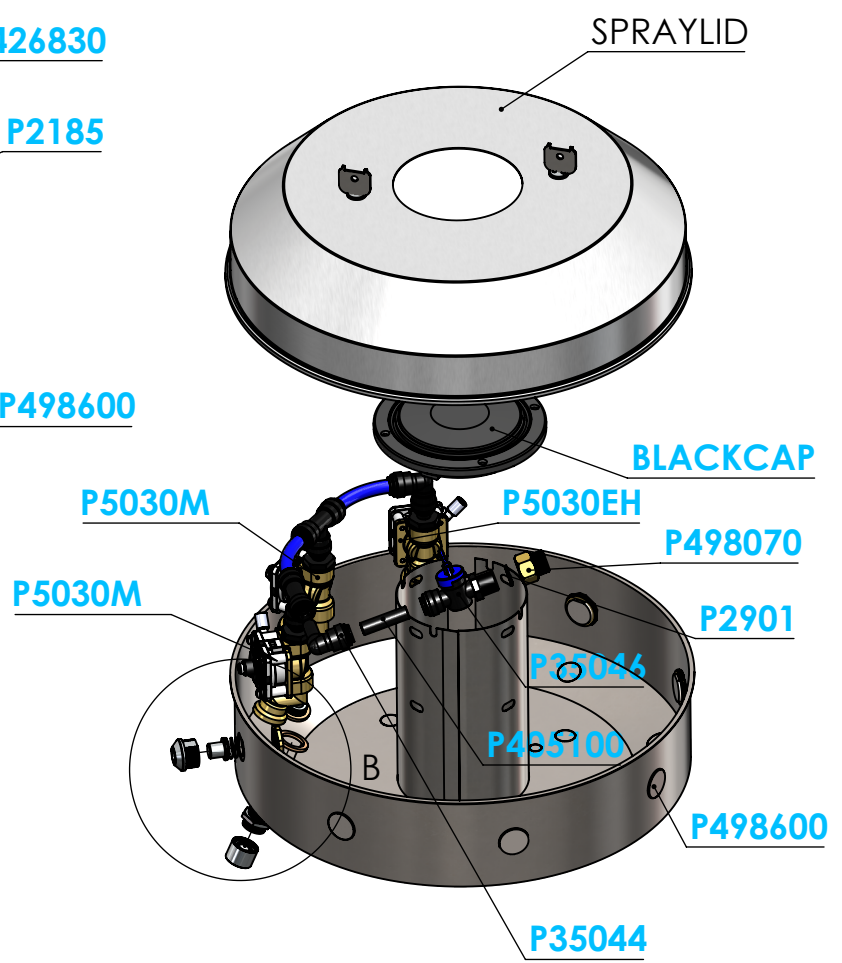
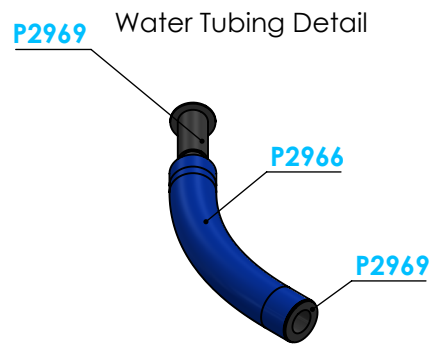
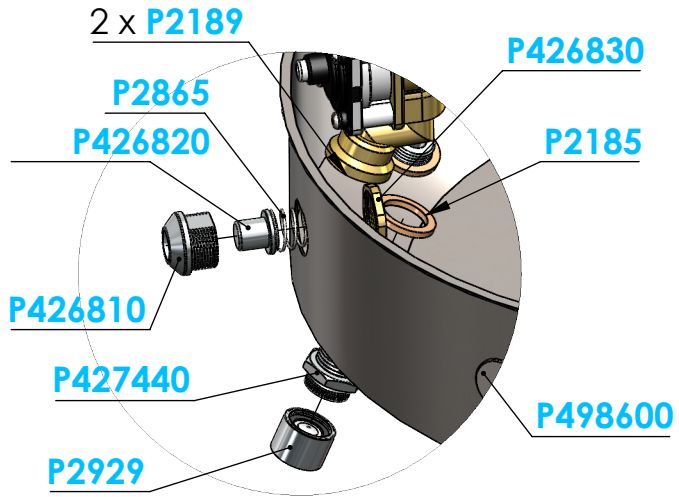


B

B



A

A

Part	Description	76INH3	75INH4	74INH5	73INH6	71INH8
BLACKCAP	Black Cap for Sanispray	1	1	1	1	1
P2185	30x20x3 Vulcano O-ring (90 shore)	3	4	5	6	8
P2189	White Rubber Washer	6	8	10	12	16
P2865	Spring for IH Pushbutton	3	4	5	6	8
P2901	Fiber Ring 18 x 12 D 1.8 mm	1	1	1	1	1
P2929	0.5 gpm Nozzle	3	4	5	6	8
P2966	Blue Plastic Tubing 12 mm	1.5	2	2	4	4
P2969	Insert for Blue 12 mm Tubing	4	6	8	10	14
P35044	Quick Connect Elbow	1	1	1	1	1
P35046	Shut-off Quick Connect Elbow	1	1	1	1	1
P405100	Piece 8-12 Connector	1	1	1	1	1
P426810	Outside Nut for IH Push Button	3	4	5	6	8
P426820	Stainless Push Button for IH	3	4	5	6	8
P426830	Inside Brass Nut for IH Push Button	3	4	5	6	8
P427440	Nozzle Nipple for Sanispray Head	3	4	5	6	8
P428490	Shell for 8/5/3 IH-Sanispray	1	0	1	0	1
P428500	Shell for 6/4 IH-Sanispray	0	1	0	1	0
P498070	Brass Nipple for Manifold to Flexible	1	1	1	1	1
P498210	Key for Sprayhead	2	2	2	2	2
P498600	Stainless Pushbutton Plug	5	2	3	0	0
P5030M	Middle Valve for Individual Hand	2	3	4	5	7
P5030EH	End Valve Assembly for Individual Hand	1	1	1	1	1
SPRAYLID	Lid Assembly for Water Distribution Heads	1	1	1	1	1



AQUADESIGN
MANUFACTURING

DIMENSIONS ARE IN INCHES
TOLERANCES:
FRACTIONAL ±
ANGULAR: MACH ± BEND ±
TWO PLACE DECIMAL ±
THREE PLACE DECIMAL ±

MATERIAL

FINISH

DO NOT SCALE DRAWING

NAME	DATE
DRAWN	WH 08/03/21

File Location:

Assembly for Water Distribution
Head for Individual Hand
Sanispray Washfountains

THE INFORMATION CONTAINED IN THIS DRAWING IS THE SOLE PROPERTY OF PSD LLC. ANY REPRODUCTION IN PART OR AS A WHOLE WITHOUT THE WRITTEN PERMISSION OF PSD LLC IS PROHIBITED.

SIZE	DWG. NO.	REV.
A	IH Head	100
SCALE:1:20	WEIGHT:	SHEET 1 OF 1