

4

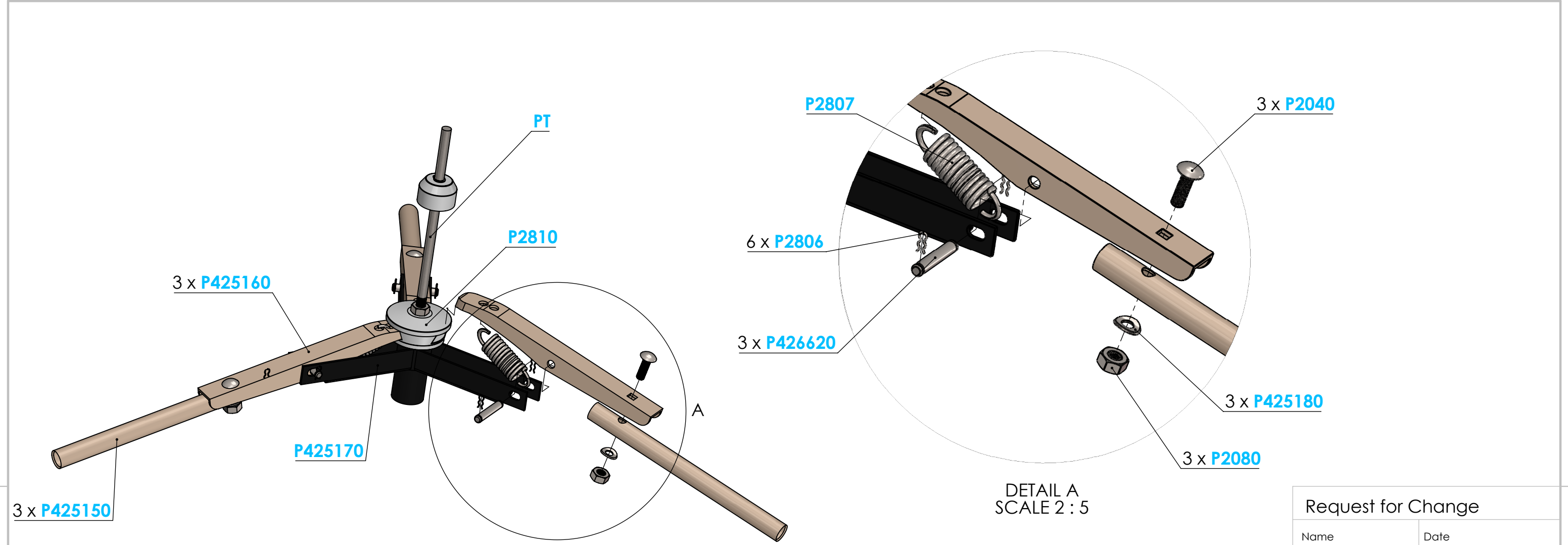
3

2

1

B

B



DETAIL A  
SCALE 2 : 5

Request for Change

Name	Date
------	------

Change Requested

1. Do NOT assemble when ordered as a parts order.
2. When assembled in a pedestal, the following parts are shipped unassembled:
  - PT
  - P2040
  - P2080
  - P425150
  - P425180

PART NUMBER	DESCRIPTION	QTY.
P2040	M8-1.25 x25 carriage bolt stainless	3
P2080	Stainless nut M8	3
P2806	Circle clip for foot pedal mechanism	6
P2807	Spring for foot rail mechanism	3
P2810	Nylon center piece for footrail mechanism	1
P425150	Straight lever for footrail	3
P425160	U-type lever for footrail mechanism	3
P425170	Three prong support	1
P425180	Bent washer for footrail mechanism	3
P426620	Pivot pin for footrail mechanism	3
PT	Plastic treadle	1



**PROPRIETARY AND CONFIDENTIAL**

THE INFORMATION CONTAINED IN THIS DRAWING IS THE SOLE PROPERTY OF PSD LLC. ANY REPRODUCTION IN PART OR AS A WHOLE WITHOUT THE WRITTEN PERMISSION OF PSD LLC IS PROHIBITED.

UNLESS OTHERWISE SPECIFIED:	NAME	DATE
DIMENSIONS ARE IN INCHES	WH	07/29/21
TOLERANCES:	DRAWN	
FRACTIONAL ±	CHECKED	
ANGULAR: MACH ± BEND ±	MFG CHK	
TWO PLACE DECIMAL ±		
THREE PLACE DECIMAL ±		
INTERPRET GEOMETRIC TOLERANCING PER:	File Location:	
MATERIAL	Assembly	
FINISH	COMMENTS:	
DO NOT SCALE DRAWING		

TITLE:  
**Foot Pedal Operating Mechanism**

SIZE	DWG. NO.	REV
<b>B</b>	FPOM	100
SCALE: 1:5	WEIGHT:	SHEET 1 OF 1

4

3

2

1

A

A