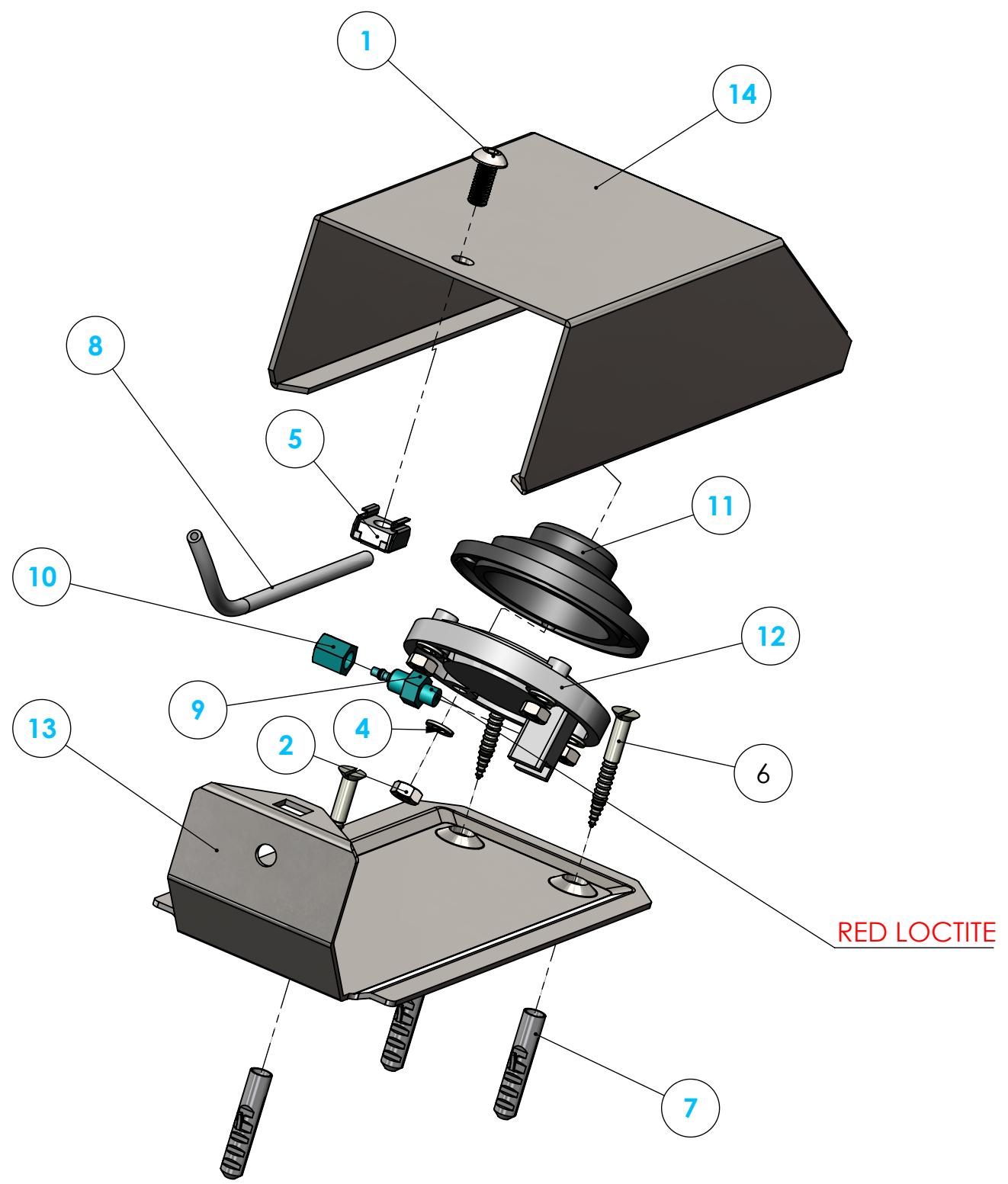


4

3

2

1



ITEM NO.	PART NUMBER	DESCRIPTION	QTY.
1	P2030	M5-.8 x 12 Button Head Socket	1
2	P2063	M4-.7 Hex Jam Nut	4
4	P2091	Lock Washer AZ 4 DIN 127 Stainless	4
5	P2113	M5-.8 Cage Nut A2 Stainless Steel	1
6	P2122	#8 x 1 1/2" Flat Head Slot Wood Screw	3
7	P2147	6 mm Nylon Wall Plug	3
8	P2869	Airtubing Nylon DI .4 x 2	6
9	P2916	Ferrule for Huba Valve	1
10	P2917	Nut for Huba Valve	1
11	P2919	Rubber for Foot Push Button	1
12	P2920	Plastic Housing for Foot Push Button	1
13	P426710	Bottom Plate for Foot Push Button	1
14	P426720	Shell for Foot Push Button	1

Request for Change

Name _____ Date _____

Change Requested

PROPRIETARY AND CONFIDENTIAL

THE INFORMATION CONTAINED IN THIS DRAWING IS THE SOLE PROPERTY OF PSD LLC. ANY REPRODUCTION IN PART OR AS A WHOLE WITHOUT THE WRITTEN PERMISSION OF PSD LLC IS PROHIBITED.

UNLESS OTHERWISE SPECIFIED:		NAME	DATE
DIMENSIONS ARE IN INCHES		DRAWN	WH
TOLERANCES:		CHECKED	3/22/23
FRACTIONAL ±		MFG CHK	
ANGULAR: MACH ± BEND ±			
TWO PLACE DECIMAL ±			
THREE PLACE DECIMAL ±			
INTERPRET GEOMETRIC TOLERANCING PER:		File Location:	
MATERIAL			
FINISH		COMMENTS:	
DO NOT SCALE DRAWING			

TITLE: **PR-2110**
Foot Push Button Sanispray

SIZE **B** DWG. NO. FPB REV 101

SCALE: 1:5 WEIGHT: SHEET 1 OF 1

4

3

2

1

B

B

A

A