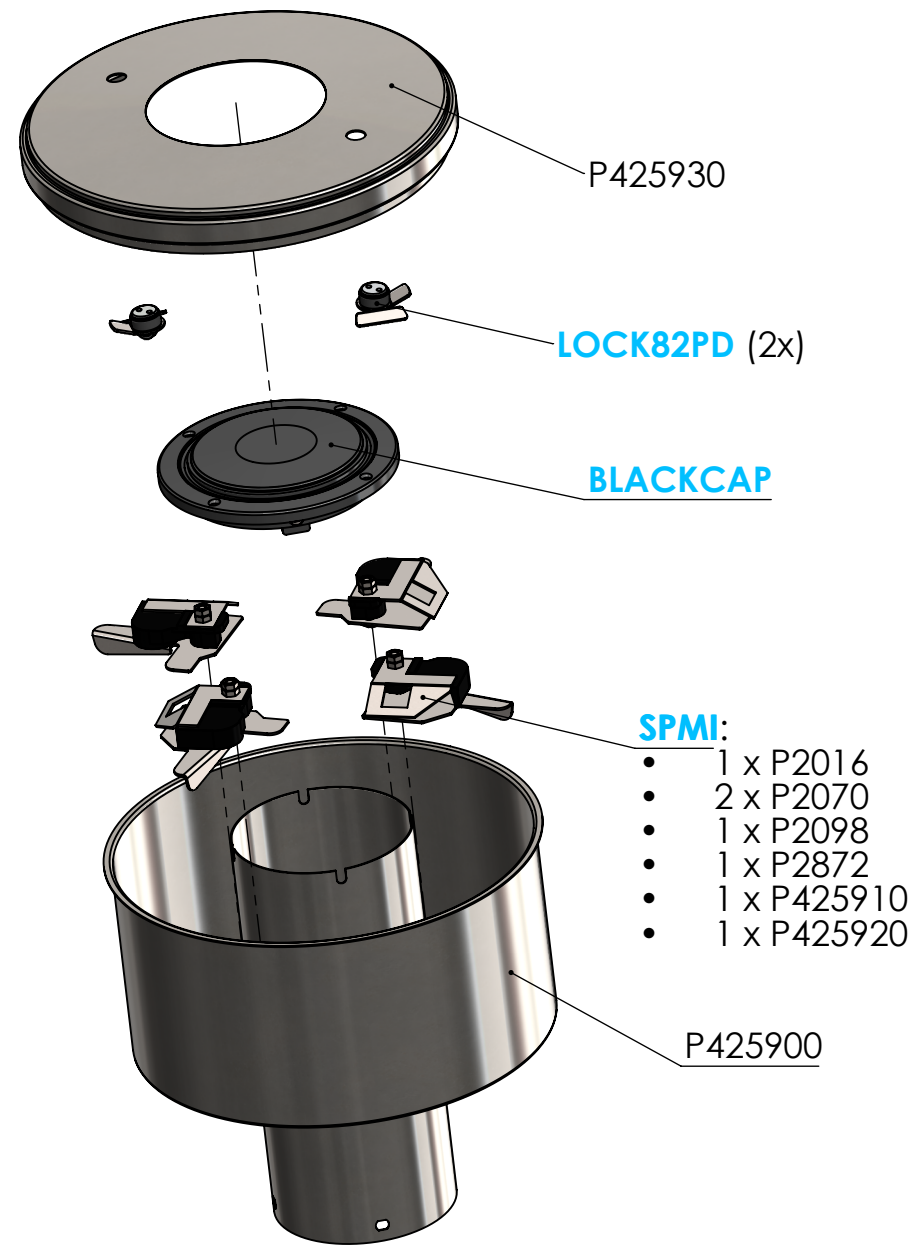


4

3

2

1



PART NUMBER	DESCRIPTION	QTY. 3-USER	QTY. 4-USER	QTY. 5-USER	QTY. 6-USER	QTY. 8-USER
BLACKCAP	Black cap for Sanispray	1	1	1	1	1
LOCK82PD	Lock assembly for Sansipray	2	2	2	2	2
P2016	M6-1.0 - Flathead Screw	2	2	3	4	4
P2070	M6-1 Stainless Hex Nut	4	4	6	8	8
P2098	1/4" Nylon Fender Washer	2	2	3	4	4
P2872	Black ABS Scoop	2	2	3	4	4
P425900	82PD soap dispenser shell	1	1	1	1	1
P425910	Sifter for Powdered Soap Mechanism	2	2	3	4	4
P425920	Lever for Powdered Soap Mechanism	2	2	3	4	4
P425930	82PD lid	1	1	1	1	1

### Request for Change

Name	Date
------	------

Change Requested



UNLESS OTHERWISE SPECIFIED:	NAME	DATE
DIMENSIONS ARE IN INCHES	DRAWN	WH
TOLERANCES:	CHECKED	07/26/21
FRACTIONAL ±	MFG CHK	
ANGULAR: MACH ± BEND ±		
TWO PLACE DECIMAL ±		
THREE PLACE DECIMAL ±		

**PROPRIETARY AND CONFIDENTIAL**

THE INFORMATION CONTAINED IN THIS DRAWING IS THE SOLE PROPERTY OF PSD LLC. ANY REPRODUCTION IN PART OR AS A WHOLE WITHOUT THE WRITTEN PERMISSION OF PSD LLC IS PROHIBITED.

INTERPRET GEOMETRIC TOLERANCING PER:	File Location:
MATERIAL	
Assembly	
FINISH	
DO NOT SCALE DRAWING	COMMENTS:

TITLE:

**Powdered Soap Dispenser for Collective Sanispray**

SIZE	DWG. NO.	REV
<b>B</b>	82PD	000
SCALE: 1:5	WEIGHT:	SHEET 1 OF 1

4

3

2

1

B

B

A

A