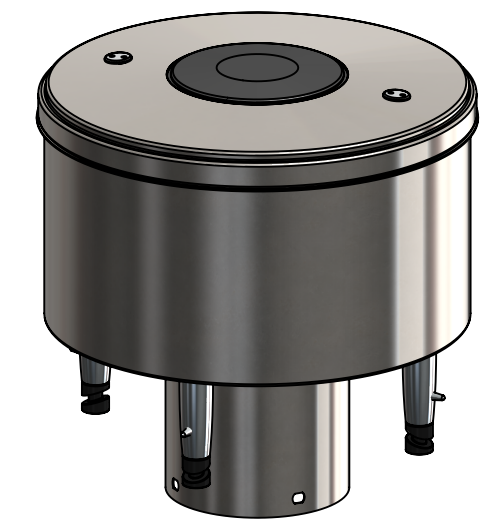
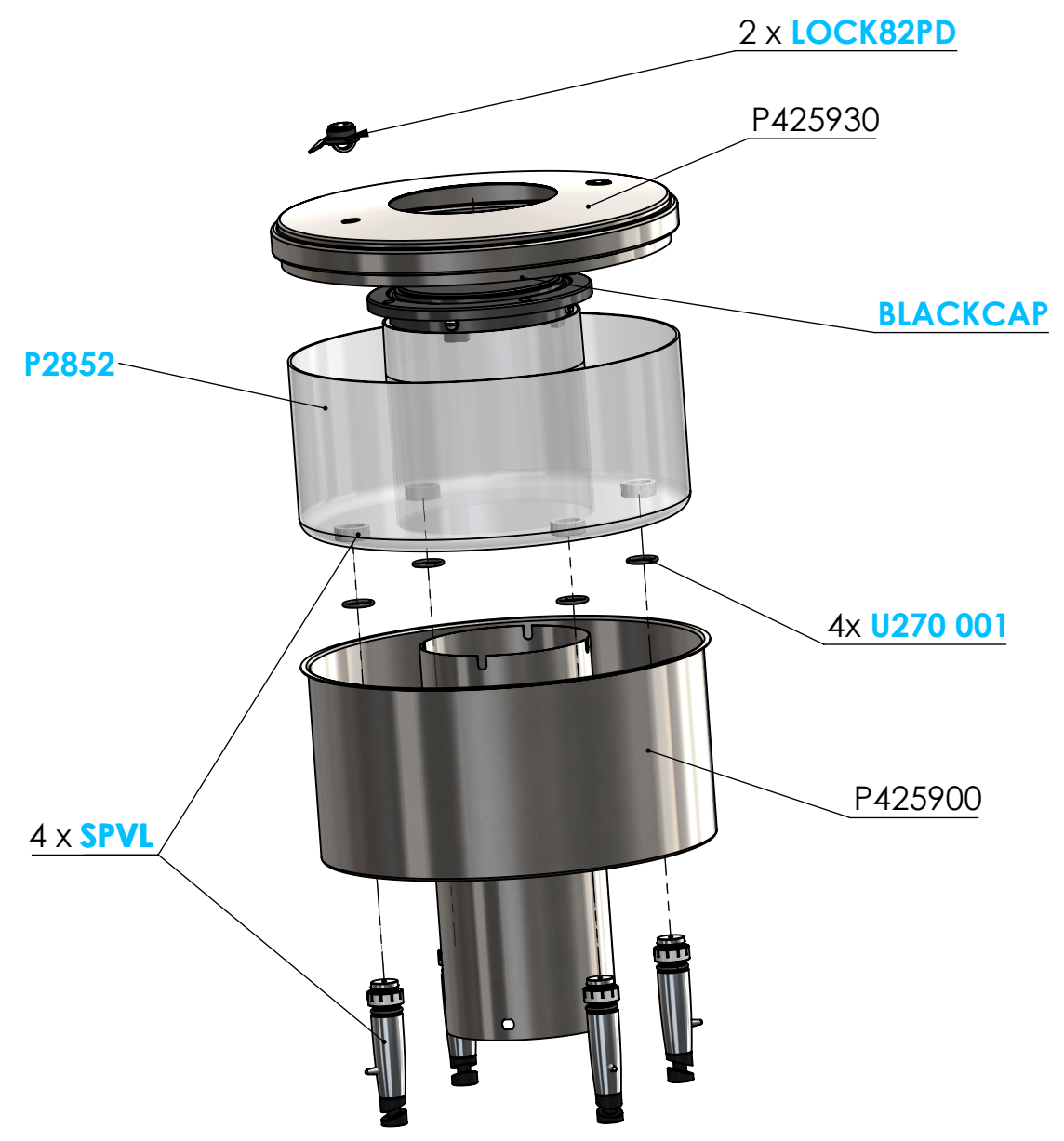


4

3

2

1



Request for Change

Name	Date	
Change Requested		
TITLE:		
Liquid Soap Dispenser Assembly for Collective Sanispray		
SIZE	DWG. NO.	REV
B	82LS	000
SCALE: 1:5	WEIGHT:	SHEET 1 OF 1

PART NUMBER	DESCRIPTION	QTY. 3-USER	QTY. 4-USER	QTY. 5-USER	QTY. 6-USER	QTY. 8-USER
BLACKCAP	Black cap for Sanispray	1	1	1	1	1
LOCK82PD	Lock assembly for Sansispray	2	2	2	2	2
P2852	Soap Liner	1	1	1	1	1
P425900	82PD soap dispenser shell	1	1	1	1	1
P425930	82PD lid	1	1	1	1	1
SPVL	Liquid soap valve for Sanispray	2	2	3	4	4
U270001	O-ring for SPVL	2	2	3	4	4

PROPRIETARY AND CONFIDENTIAL

THE INFORMATION CONTAINED IN THIS DRAWING IS THE SOLE PROPERTY OF PSD LLC. ANY REPRODUCTION IN PART OR AS A WHOLE WITHOUT THE WRITTEN PERMISSION OF PSD LLC IS PROHIBITED.

UNLESS OTHERWISE SPECIFIED:		NAME	DATE
DIMENSIONS ARE IN INCHES		DRAWN	WH
TOLERANCES:		CHECKED	07/26/21
FRACTIONAL ±		MFG CHK	
ANGULAR: MACH ± BEND ±		File Location:	
TWO PLACE DECIMAL ±			
THREE PLACE DECIMAL ±			
MATERIAL		COMMENTS:	
Assembly			
FINISH			
DO NOT SCALE DRAWING			

4

3

2

1

A

A