

4

3

2

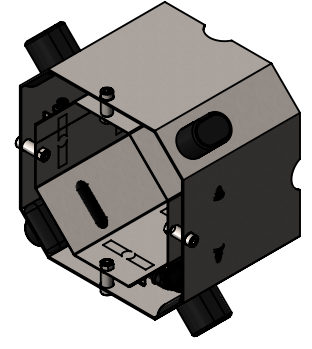
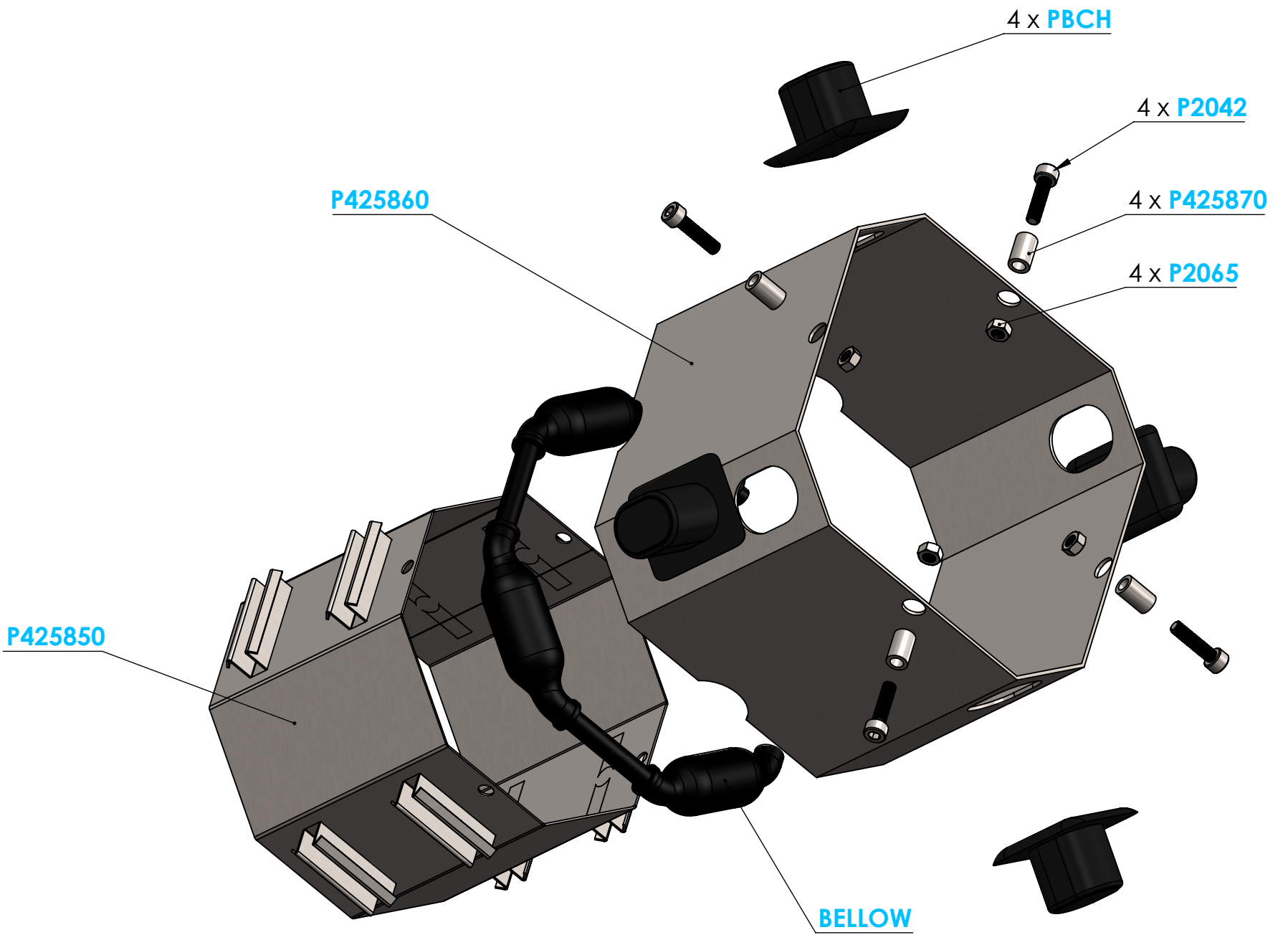
1

B

B

A

A



Request for Change

Name	Date
------	------

Change Requested

PART NUMBER	DESCRIPTION	QTY.
BELLOW	Bellow Assembly for 43HPBM	1
P2042	M5-.8 x 20 Socket head Cap Screw	4
P2065	M5-.8 Hex Nut	4
P425850	Inner Ring for 43HPBM	1
P425860	Outer Ring for 43 HPBM	1
P425870	Spacer for 43HPBM	4
PBCH	Pushbutton for 43 HPBM	4



PROPRIETARY AND CONFIDENTIAL

THE INFORMATION CONTAINED IN THIS DRAWING IS THE SOLE PROPERTY OF PSD LLC. ANY REPRODUCTION IN PART OR AS A WHOLE WITHOUT THE WRITTEN PERMISSION OF PSD LLC IS PROHIBITED.

UNLESS OTHERWISE SPECIFIED:		NAME	DATE
DIMENSIONS ARE IN INCHES		DRAWN	WH
TOLERANCES:		CHECKED	07/30/21
FRACTIONAL ±		MFG CHK	
ANGULAR: MACH ± BEND ±		File Location:	
TWO PLACE DECIMAL ±		COMMENTS:	
THREE PLACE DECIMAL ±		DO NOT SCALE DRAWING	

TITLE:		
Hand Push Button Mechanism for Collective Hand Sanispray		
SIZE	DWG. NO.	REV
B	43HPBM	100
SCALE: 1:2	WEIGHT:	SHEET 1 OF 1

4

3

2

1