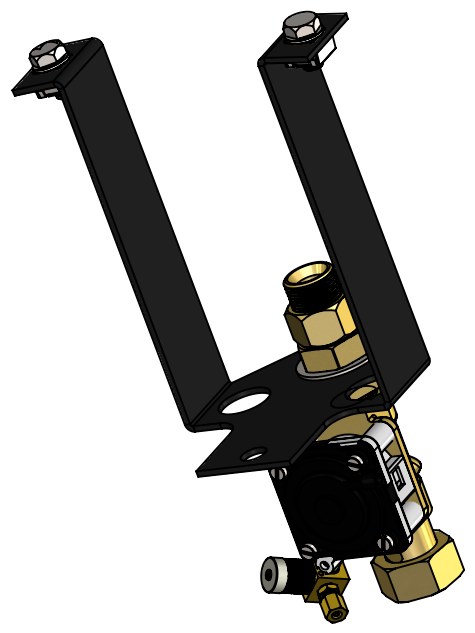
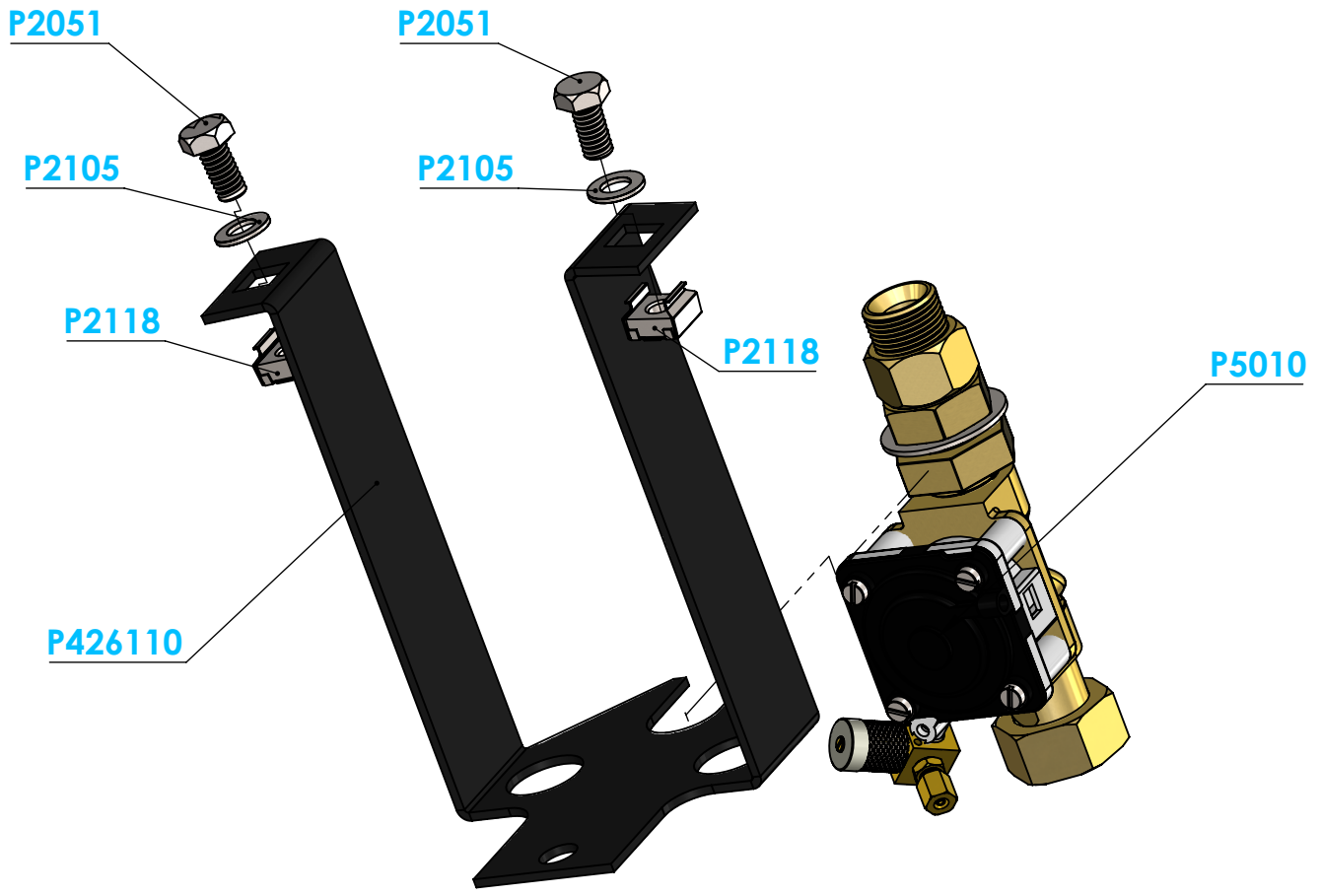


4

3

2

1



**Request for Change**

Name	Date
------	------

Change Requested

PART NUMBER	DESCRIPTION	QTY.
P2051	M8x1.25 - 16 stainless hex bolt	2
P2105	Stainless Washer	2
P2118	M8 Cage Nut	2
P426110	U-type bridge	1
P5010	Complete Valve Assembly for Collective Hand Sanispray	1



**PROPRIETARY AND CONFIDENTIAL**

THE INFORMATION CONTAINED IN THIS DRAWING IS THE SOLE PROPERTY OF PSD LLC. ANY REPRODUCTION IN PART OR AS A WHOLE WITHOUT THE WRITTEN PERMISSION OF PSD LLC IS PROHIBITED.

UNLESS OTHERWISE SPECIFIED:		NAME	DATE
DIMENSIONS ARE IN INCHES		DRAWN	WH
TOLERANCES:		CHECKED	07/30/21
FRACTIONAL ±		MFG CHK	
ANGULAR: MACH ± BEND ±		File Location:	
TWO PLACE DECIMAL ±		COMMENTS:	
THREE PLACE DECIMAL ±		DO NOT SCALE DRAWING	

TITLE:  
**Bridge and Valve Assembly  
for Collective Hand Sanispray  
Based on P5010**

SIZE	DWG. NO.	REV
<b>B</b>	3CH with P5010	100
SCALE: 1:2	WEIGHT:	SHEET 1 OF 1

4

3

2

1

B

B

A

A