

4

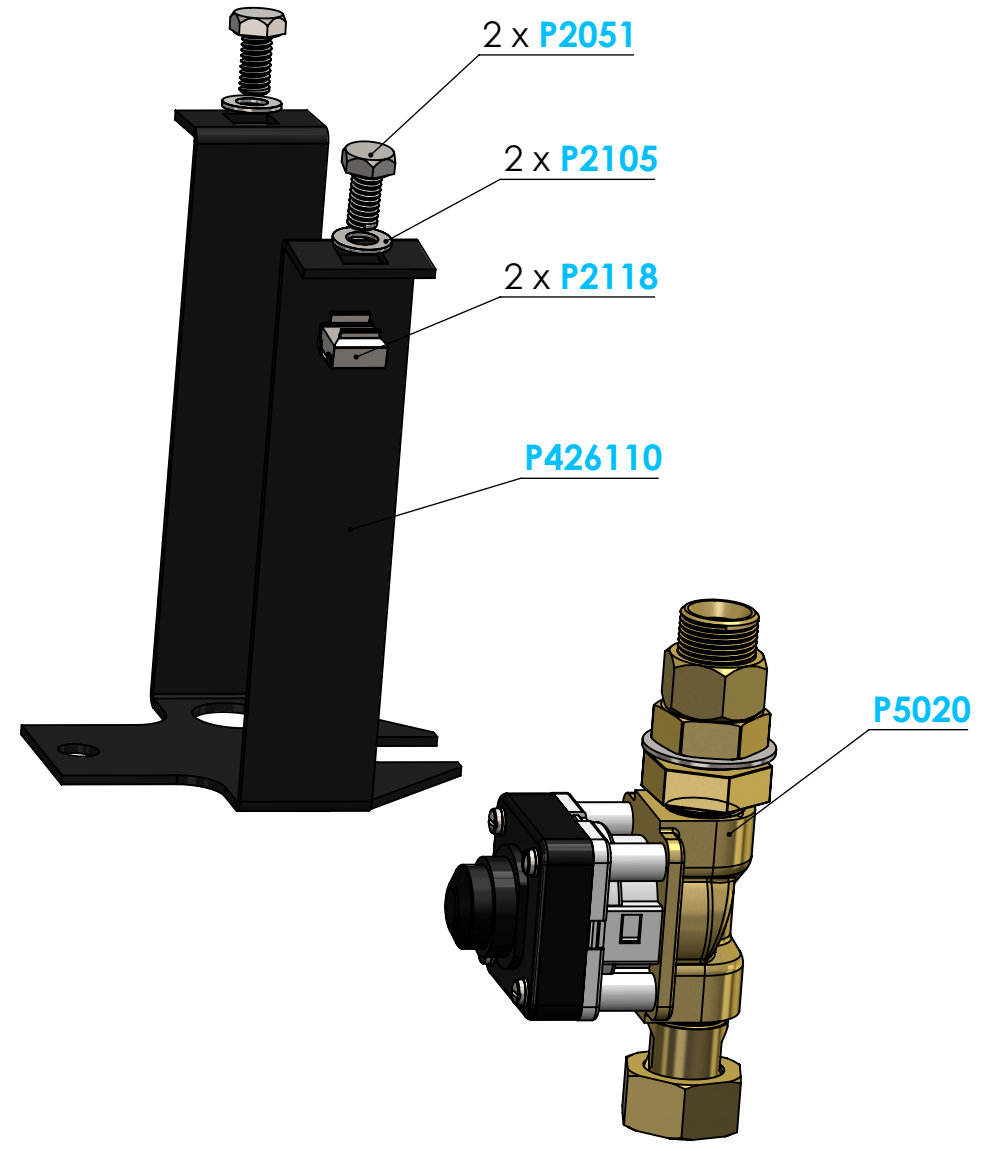
3

2

1

B

B



A

A

### Request for Change


Name	Date
------	------

Change Requested

TITLE:  
**Collective Foot Valve and Bridge from P5020**

SIZE	DWG. NO.	REV
<b>B</b>	12CF	000
SCALE: 1:5	WEIGHT:	SHEET 1 OF 1

PART NUMBER	DESCRIPTION	QTY.
P2051	M8x1.25 - 16 stainless hex bolt	2
P2105	Stainless Washer	2
P2118	M8 Cage Nut	2
P426110	U-type bridge	1
P5020	Valve Assembly for Collective Foot	1



**PROPRIETARY AND CONFIDENTIAL**

THE INFORMATION CONTAINED IN THIS DRAWING IS THE SOLE PROPERTY OF PSD LLC. ANY REPRODUCTION IN PART OR AS A WHOLE WITHOUT THE WRITTEN PERMISSION OF PSD LLC IS PROHIBITED.

UNLESS OTHERWISE SPECIFIED:	NAME	DATE
DIMENSIONS ARE IN INCHES	WH	8/3/2021
TOLERANCES:	DRAWN	
FRACTIONAL ±	CHECKED	
ANGULAR: MACH ± BEND ±	MFG CHK	
TWO PLACE DECIMAL ±		
THREE PLACE DECIMAL ±		
INTERPRET GEOMETRIC TOLERANCING PER:	File Location:	
MATERIAL		
Assembly		
FINISH	COMMENTS:	
DO NOT SCALE DRAWING		

4

3

2

1