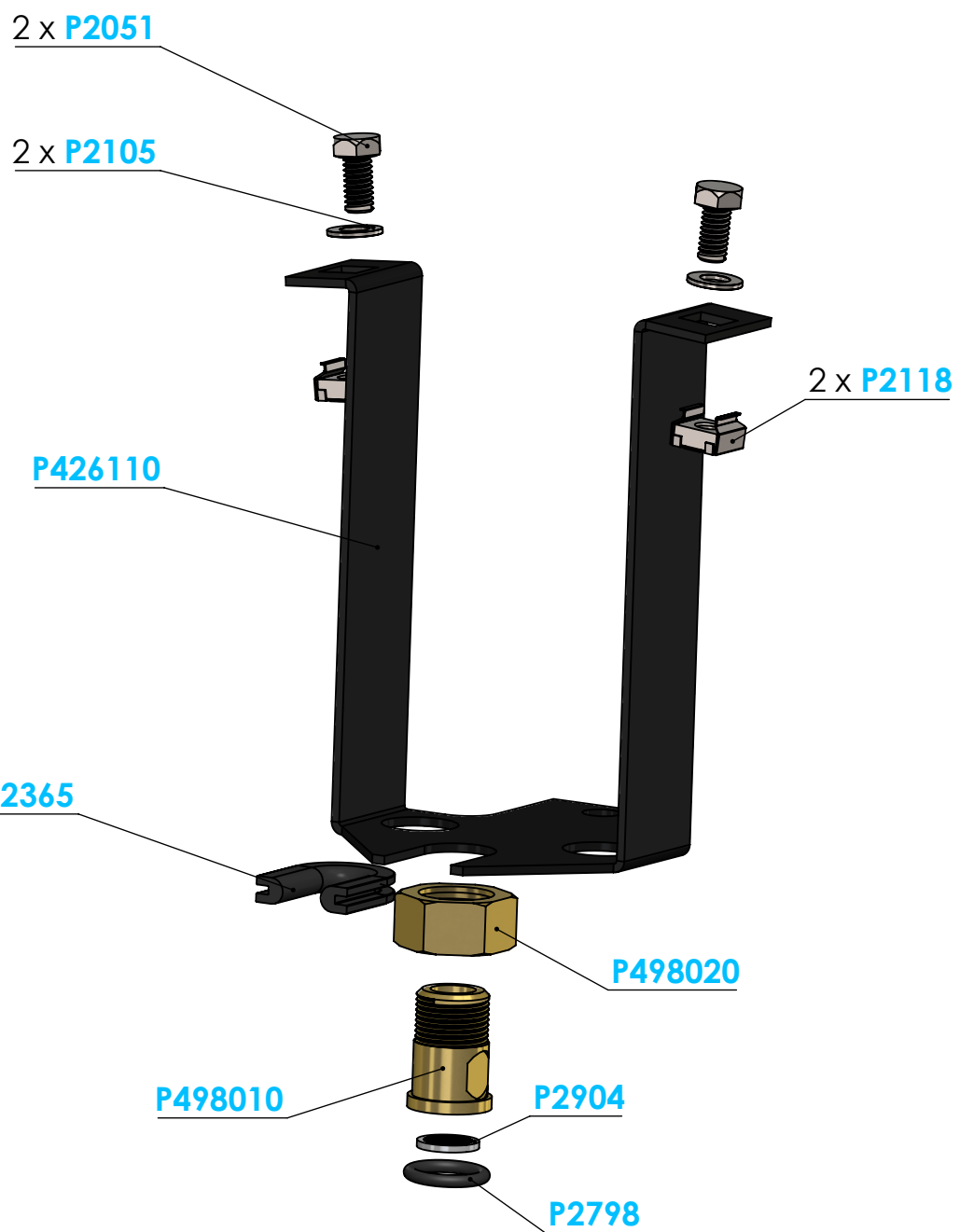


4

3

2


1



PART NUMBER	DESCRIPTION	QTY.
P2051	M8x1.25 - 16 stainless hex bolt	2
P2105	Stainless Washer	2
P2118	M8 Cage Nut	2
P2365	Rubber gasket for 111C	1
P2798	O-Ring NBR36625 70 SH - 7,5 X 2,0	1
P2904	Screen with Nylon Washr inlet	1
P426110	U-type bridge	1
P498010	Coupler 3/4"FX1/2"M	1
P498020	Coupling Nut	1

Request for Change

Name	Date
Change Requested	

	UNLESS OTHERWISE SPECIFIED:	NAME	DATE	TITLE: Water Supply Set for Individual Sanispray Washfountains
	DIMENSIONS ARE IN INCHES TOLERANCES: FRACTIONAL ± ANGULAR: MACH ± BEND ± TWO PLACE DECIMAL ± THREE PLACE DECIMAL ±	DRAWN	WH	
PROPRIETARY AND CONFIDENTIAL THE INFORMATION CONTAINED IN THIS DRAWING IS THE SOLE PROPERTY OF PSD LLC. ANY REPRODUCTION IN PART OR AS A WHOLE WITHOUT THE WRITTEN PERMISSION OF PSD LLC IS PROHIBITED.	INTERPRET GEOMETRIC TOLERANCING PER:	CHECKED		
	MATERIAL 304 Stainless - 18 gauge FINISH	MFG CHK		
	DO NOT SCALE DRAWING	File Location:		SIZE DWG. NO. REV B PR-21025-111C 100
		COMMENTS:		SCALE: 1:5 WEIGHT: SHEET 1 OF 1

4

3

2

1

B

B

A

A