

XRF-R.1

Part No. 407688

DATASHEET

Receiver to wireless transmission system of ExpertSystem

Receiver with one safety output

Mechanical data

| | |
|---------------------|---|
| Dimensions | 121 x 50 x 23 mm |
| Material (housing) | ASA light grey |
| Terminals | 8, push-in spring connection conductor cross section 0.25 – 0.75 mm ² |
| Cable strain relief | Built in (for cable-Ø 3.1 to 5.2 mm) |
| Weight in gr | 180 |

Electrical data

| | |
|--------------------------------------|--|
| Supply voltage | 12-36 V ACDC, 48 – 62 Hz |
| Power consumption | 0.6 W at 12 V, 0.7 W at 36 V |
| Test input (for Cat. 2 applications) | 12-36 V ACDC, 5.5 mA at 24 V |
| Sensor memory | 7 sensor elements |
| Output | 2 relays 36 V ACDC, 1 A |
| Options | NO with parallel resistor 8,2 kOhm NC |
| Display | LED bicoloured (status output, programming) |
| Pushbutton | for pairing |
| Dip-switch (test input) | factory setting: OFF (= high active) |

In combination with XRF transmitters

| | |
|------------------------|--|
| Range in m | 100 at optimum conditions |
| Reaction time | Typ. 15 ms |
| Communication | Bidirectional |
| Operating frequency | 868.3 MHz |
| Radiated power | < 10 dbm / 10 mW |
| Low battery indication | Acoustic and optical (on the receiver) |

Approvals

| | |
|--|---|
| EN 300 220, EN 301 489 | |
| EN ISO 13849-1 (PLd, Cat.3, MTTFd 291) | Add. test input for Cat. 2 applications |

Ambient conditions

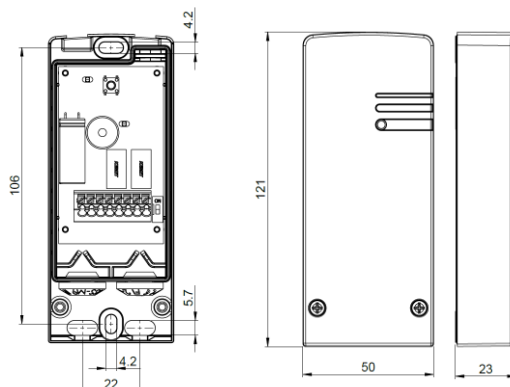
| | |
|-----------------------|-----------------------|
| Protection category | IP65 |
| Operating temperature | -20°C to +60°C |
| Storage temperature | -40°C to +80°C |
| Rel. air humidity | < 95%, non-condensing |



Box content

Receiver, 6 instruction manuals (DE, EN, FR, IT, NL, SV), mounting material

Dimensions



XRF-T.2

Part No. 407666

DATASHEET

Transmitter to wireless transmission system of ExpertSystem

Transmitter with two programmable inputs for safety edges

Mechanical data

| | |
|---------------------|---|
| Dimensions | 121 x 50 x 23 mm |
| Material (housing) | ASA light grey |
| Terminals | 4, push-in spring connection conductor cross section 0.25 – 0.75 mm ² |
| Cable strain relief | Built in (for cable-Ø 3.1 to 5.2 mm) |
| Weight in gr | 150 |

Electrical data

| | |
|--|---|
| Supply voltage | Lithium battery 3 V (CR2450N) |
| Battery life | Typ. 1.2 years (type: RENATA) |
| Inputs | 2, programmable for safety edge (8.2 kOhm) or contact NC or NO |
| Thresholds (upper / lower switching value) | > 12.2 kOhm / < 5.9 kOhm |
| Available codes | 65'536 |
| Push button | for pairing |
| Dip-switches (8k2, NO-NC) | 2, factory setting: ON, OFF |
| LED red | flashes when actuated |

In combination with an XRF receiver

| | |
|------------------------|--|
| Range in m | 100 at optimum conditions |
| Reaction time | Typ. 15 ms |
| Communication | Bidirectional |
| Operating frequency | 868.3 MHz |
| Radiated power | < 10 dbm / 10 mW |
| Low battery indication | Acoustic and optical (on the receiver) |

Approvals

| |
|--|
| EN 300 220, EN 301 489 |
| EN ISO 13849-1 (PLd, Cat.3, MTTFd 640) |

Ambient conditions

| | |
|-----------------------|-----------------------|
| Protection category | IP65 |
| Operating temperature | -20°C to +60°C |
| Storage temperature | -40°C to +80°C |
| Rel. air humidity | < 95%, non-condensing |



Box contents

Transmitter, 1 battery CR2450N, instruction manuals (supplementary sheets, in DE, EN, FR, IT, NL, SV), mounting material

Dimensions

