

# TACT INDEX

ACTUATOR FOR  
SLIDING GATES  
VERSIONS 230V AND 24V

Life  
made  
easy



# NEW TACT

Complete range of New generation security accessories

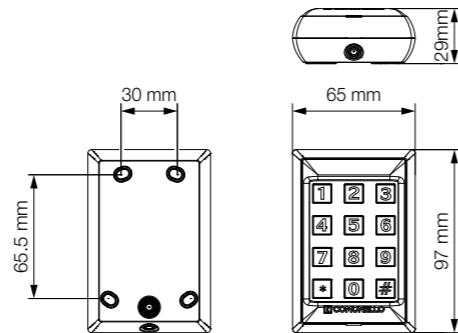
Protection  
Design  
Comfort  
Simplicity  
Reliability  
Lighting  
Duration  
Technology



# TACT

Digital keyboard selector in die-cast aluminum, up to 250 codes storable

- Protection:** Electronics protected by a preassembled gasket on a dedicated housing.
- Comfort:** Keys with backlit numbers clearly visible in the dark.
- Simplicity and ease of installation:** Cable passage arranged both at the bottom and at the rear of the keyboard. Large space dedicated to wiring.
- Design:** New attractive design with no visible screws
- Adjustment:** The slotted holes allow adjustment of the position even after installation
- Durability:** Structure completely in die-cast aluminum



Icon	Code	Description	Power	IP	Mounting	Weight
▶	GTACTSTDN0B00A	Digital keyboard selector, in aluminum (working via TACT DEC)	24 VDC/VAC	54	1	0,35 Kg

A pre-assembled gasket protects the electronics from any entry of insects or water.

Gasket to protect the keyboard selector.

The 4 slotted holes allow adjustment of the position even after installation



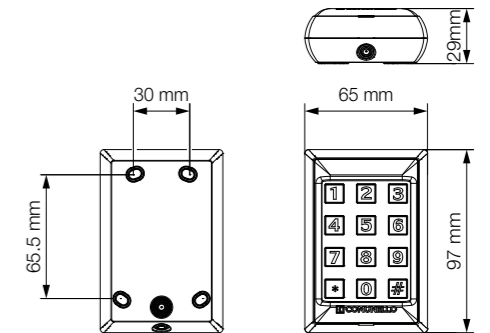
Structure completely in die-cast aluminum

Cable passage arranged both at the bottom and at the rear of the selector.

# TACT RADIO

Digital keyboard selector, radio version

- Protection:** Electronics protected by a preassembled gasket on a dedicated housing.
- Comfort:** Keys with backlit numbers clearly visible in the dark.
- Design:** New attractive design with no visible screws
- Adjustment:** The slotted holes allow adjustment of the position even after installation
- Durability:** High quality plastic material with anti-UV additives and embossed painting
- Smart:** Up to 10 codes that can be memorized with the possibility of canceling and reprogramming the single code.



Icon	Code	Description	Power	IP	Mounting	Weight
▶	GTRACTRADN0B00A	Digital keyboard selector, radio	24 VDC/VAC	54	1	0,15 Kg

A pre-assembled gasket protects the electronics from any entry of insects or water.

Gasket to protect the keyboard selector.

The 4 slotted holes allow adjustment of the position even after installation



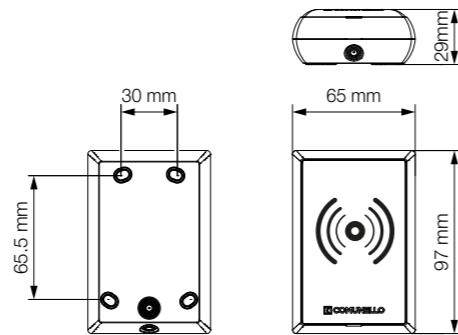
Structure in unshielded plastic material with anti-UV additives






# TACT CARD

Digital transponder selector in die-cast aluminum, up to 250 memorable cards / TOKENS



- Protection:** Electronics protected by a preassembled gasket on a dedicated housing.
- Simplicity and ease of installation:** Cable passage arranged both at the bottom and at the rear of the selector. Large space dedicated to wiring.
- Design:** New attractive design with no visible screws
- Adjustment:** The slotted holes allow adjustment of the position even after installation
- Durability:** Structure completely in die-cast aluminum



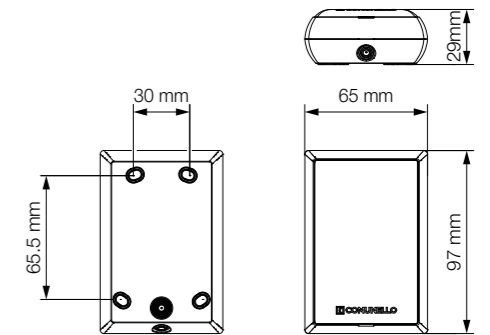
						
<b>TACT CARD</b>	GTACTCARN0B00A	Digital transponder selector in aluminum (working via TACT DEC)	24 VDC/VAC	IP 54	1	0,27 Kg

# TACT DEC

2 channels decoder for TACT / TACT-CARD



- Protection:** Electronics protected by a preassembled gasket on a dedicated housing.
- Simplicity and ease of installation:** Cable passage arranged both at the bottom and at the rear of the keyboard. Large space dedicated to wiring.
- Design:** New attractive design with no visible screws
- Adjustment:** The slotted holes allow adjustment of the position even after installation
- Durability:** Structure completely in die-cast aluminum



						
<b>TACT DEC</b>	GTACTDECN0B00A	Decoder for TACT / TACT-CARD	24 VDC/VAC	IP 54	1	0,27 Kg

A pre-assembled gasket protects the electronics from any entry of insects or water.

Structure completely in die-cast aluminum

The 4 slotted holes allow adjustment of the position even after installation



Cable passage arranged both at the bottom and at the rear of the selector.

Large space dedicated to wiring

A pre-assembled gasket protects the electronics from any entry of insects or water.

Structure completely in die-cast aluminum

The 4 slotted holes allow adjustment of the position even after installation



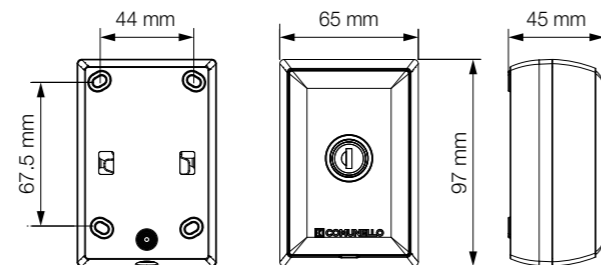
Cable passage arranged both at the bottom and at the rear of the decoder.

Large space dedicated to wiring

## Key selector



- Protection:**  
Electronics protected by a preassembled gasket on a dedicated housing.
- Simplicity and ease of installation:**  
Cable passage arranged both at the bottom and at the rear of the selector.  
Large space dedicated to wiring.
- Design:**  
New attractive design with no visible screws
- Adjustment:**  
The slotted holes allow adjustment of the position even after installation
- Strength:**  
Structure completely in die-cast aluminum



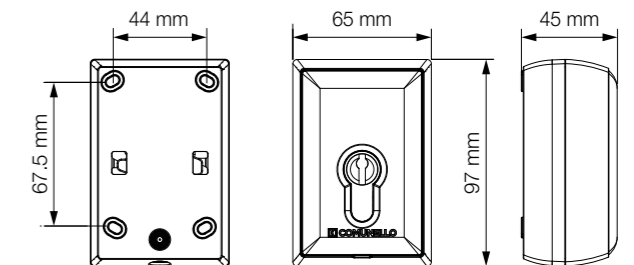
<b>INDEX</b>	GINDEXSTN0B00A	Key selector with standard cylinder	54	1	0,28 Kg



## Key selector with European cylinder



- Protection:**  
Electronics protected by a preassembled gasket on a dedicated housing.
- Simplicity and ease of installation:**  
Cable passage arranged both at the bottom and at the rear of the keyboard.  
Large space dedicated to wiring.
- Design:**  
New attractive design with no visible screws
- Adjustment:**  
The slotted holes allow adjustment of the position
- Strength:**  
Structure completely in die-cast aluminum



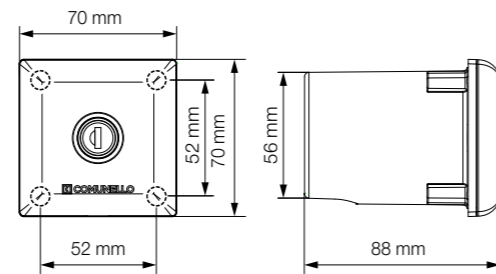
<b>INDEX EU</b>	GINDEXEUN0B00A	Key selector with European cylinder	54	1	0,36 Kg



# INDEX INSERT

## Recessed wall key selector

- Protection:** Electronics protected by a preassembled gasket on a dedicated housing.
- Simplicity and ease of installation:** Cable passage arranged both at the bottom and at the rear of the selector. Large space dedicated to wiring.
- Design:** New attractive design with no visible screws
- Adjustment:** The slotted holes allow adjustment of the position
- Strength:** Structure completely in die-cast aluminum

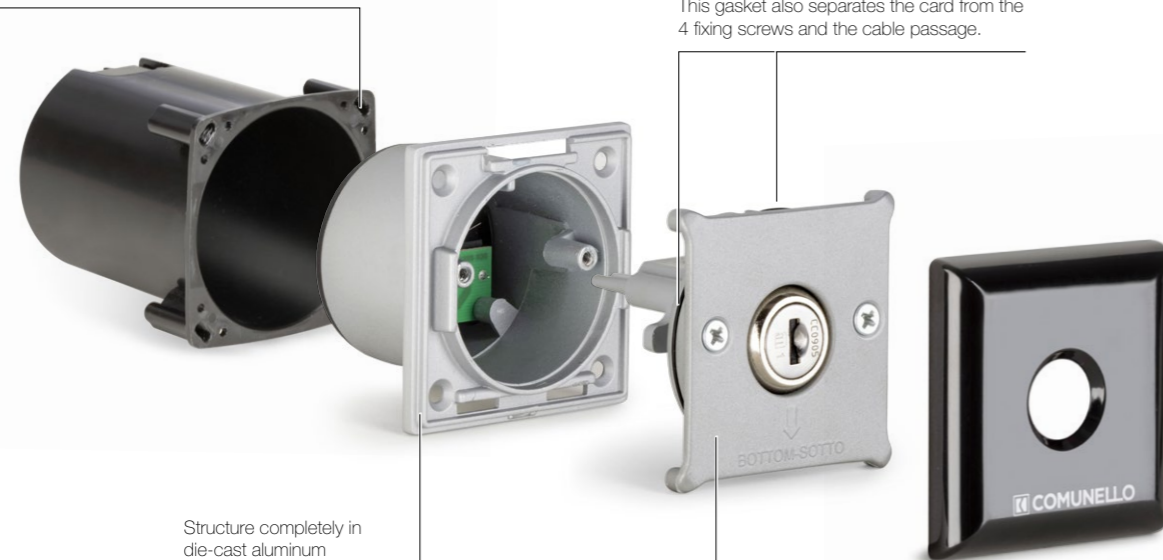


INDEX INSERT	GINSEXSTN0B00	Recessed wall key selector, adapter bowl included	IP 54	1	0,33 Kg

G-BOX	GBOXUNSTD0B00	Adapter bowl INDEX INSERT	20	0,025 kg

The slotted holes allow adjustment of the position even after installation

A pre-assembled gasket protects the electronics from any entry of insects or water. This gasket also separates the card from the 4 fixing screws and the cable passage.

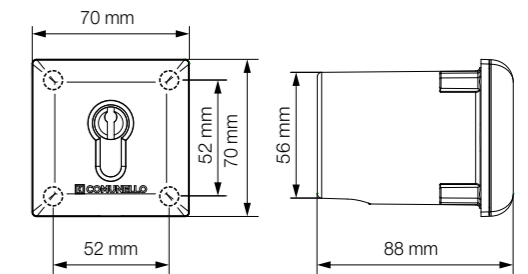


Structure completely in die-cast aluminum

# INDEX INSERT EURO

## Recessed wall key selector with European cylinder

- Protection:** Electronics protected by a preassembled gasket on a dedicated housing.
- Simplicity and ease of installation:** Cable passage arranged both at the bottom and at the rear of the selector. Large space dedicated to wiring.
- Design:** New attractive design with no visible screws
- Adjustment:** The slotted holes allow adjustment of the position
- Strength:** Structure completely in die-cast aluminum

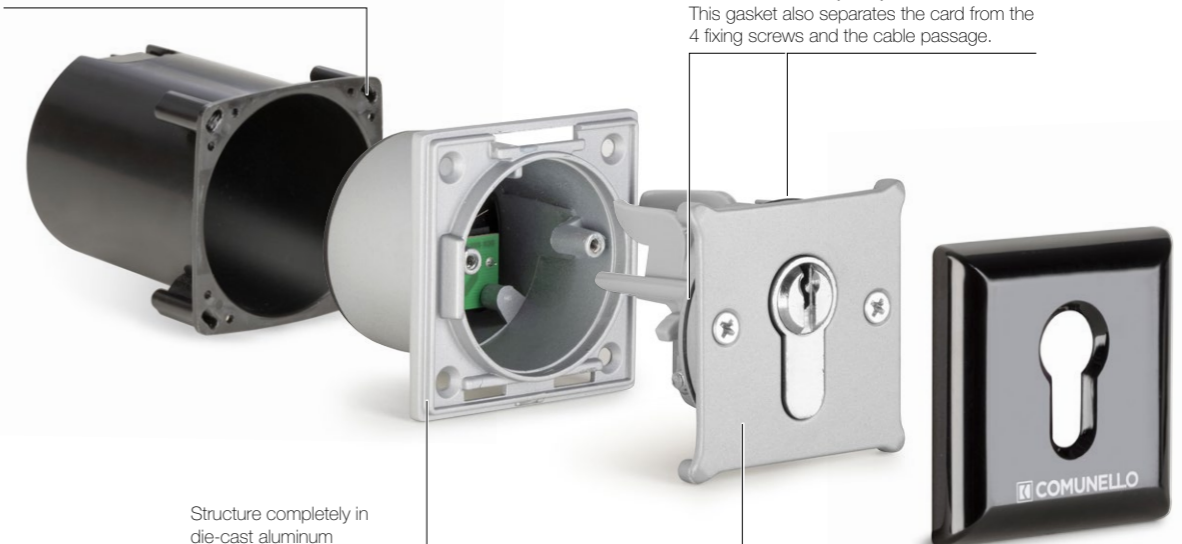


INDEX INSERT EU	GINSEXEU0B00	Recessed wall key selector with European cylinder adapter bowl included	IP 54	1	0,45 Kg

G-BOX	GBOXUNSTD0B00	Adapter bowl INDEX INSERT	20	0,025 kg

The slotted holes allow adjustment of the position even after installation

A pre-assembled gasket protects the electronics from any entry of insects or water. This gasket also separates the card from the 4 fixing screws and the cable passage.



Structure completely in die-cast aluminum

# Complementary accessories



**TACT BADGE**  
Compatible with: TACT CARD

TACT-BADGE	GTACTCRDN0B00	BADGE for TACT CARD	10	0,06 Kg



**TACT TOKEN**  
Compatible with: TACT CARD

TACT-TOKEN	GTACTTKNN0B00	TOKEN for TACT CARD	10	0,06 Kg



OFFICIAL DEALER:

 **COMUNELLO**  
**AUTOMATION**

AUTOMATION FOR GATES, DOORS AND BARRIERS

FRATELLI COMUNELLO S.P.A.

**HEADQUARTERS**

Via Zarpellon, 33

36027 San Giuseppe di Cassola, Vicenza, Italy

Tel. +39 0424 585111 Fax +39 0424 533417

info@comunello.it www.comunello.com

**REGISTERED OFFICE**

Via Cassola,64 - C.P.79

36027 Rosà, Vicenza, Italy

Tel. +39 0424 585111 Fax +39 0424 533417

info@comunello.it www.comunello.com