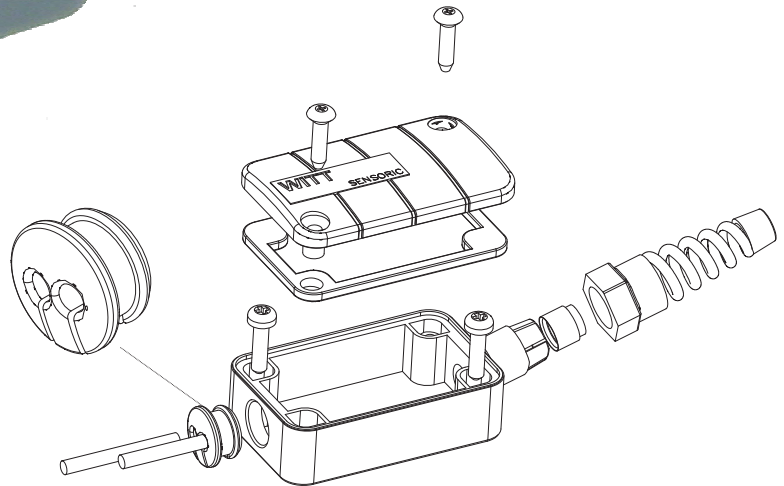


M 1:1

Size
57x35x21mm³ (LxWxH)



LAD 1

cable junction box, small design, with screw terminal or spring terminal

Material: PA6 nature

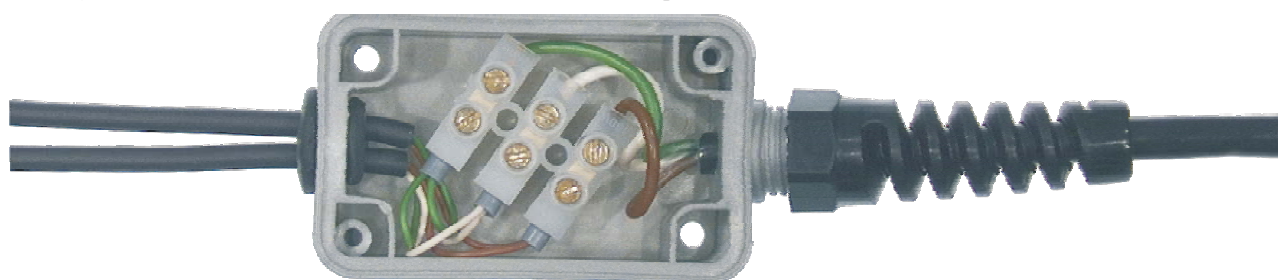
Color: silver

Degree of protection: IP65 can be guaranteed by use of predefined cable outside diameters $\varnothing 3.4 \pm 0.1$ mm and professional assembling.

Ordering details

LAD1 1.113 711

Var. 1: junction box with screw terminals (3-pin),



LAD 1 1.113 712

Var. 2: junction box with spring terminals (3-pin),

