

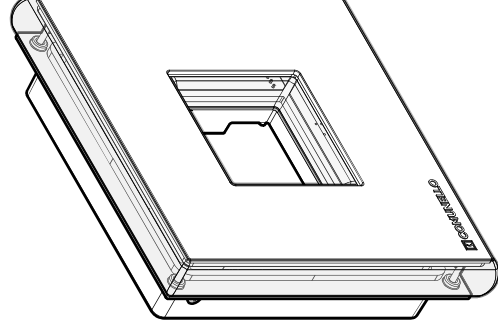


INSTALLATION AND USER'S MANUAL

FRATELLI COMUNELLO S.P.A.
GATE AUTOMATION

Via Cassola, 64 - C.P. 79
36027 Rosà, Vicenza, Italy
Tel. +39 0424 585111
Fax +39 0424 533417
info@comunello.it | comunello.com

GILLEDSTLYB00
Safety accessories
IXI



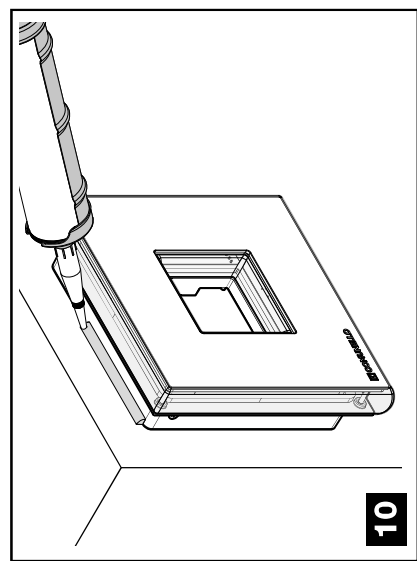
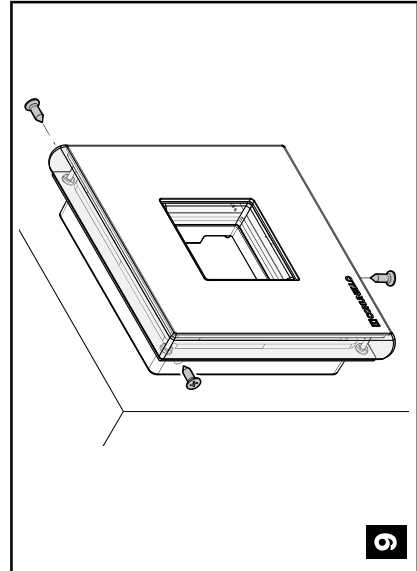
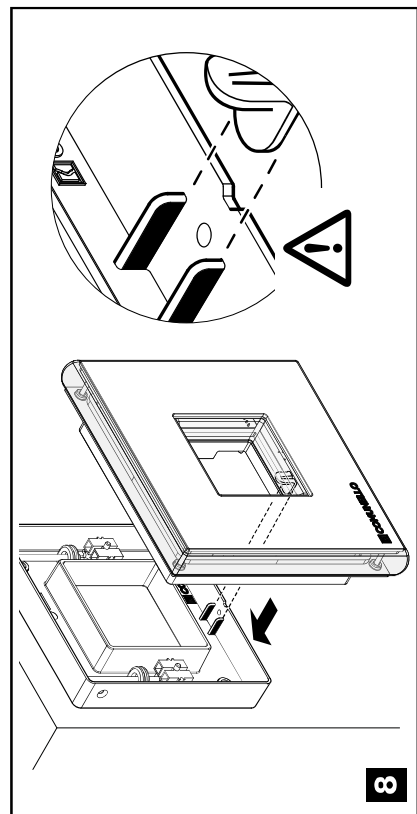
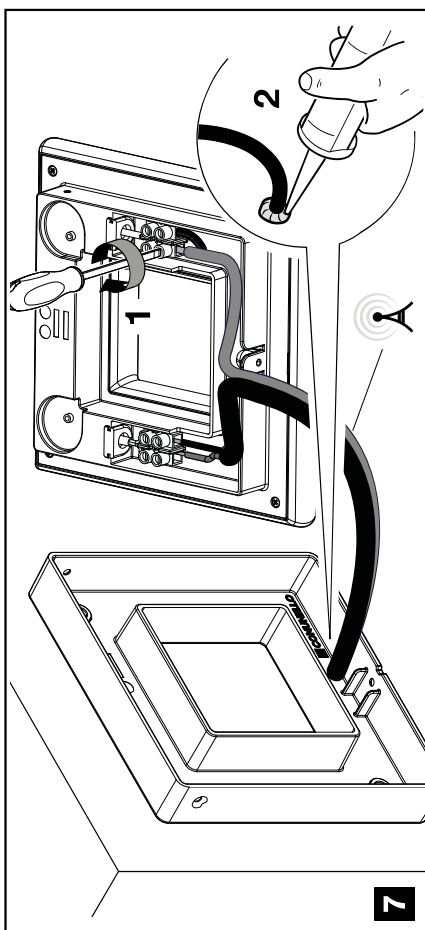
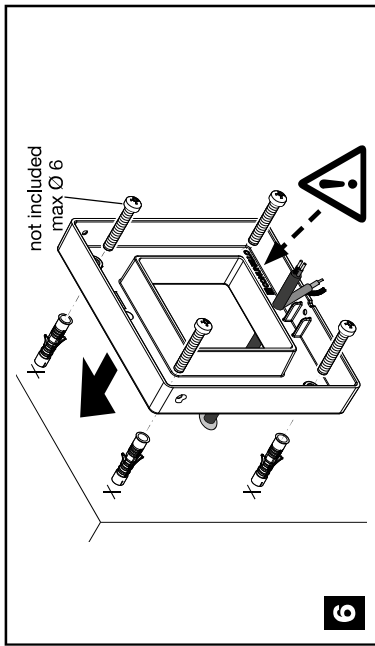
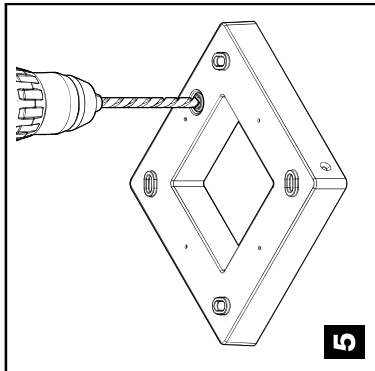
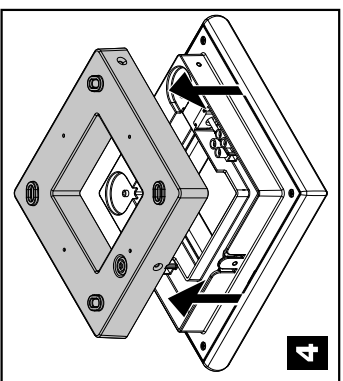
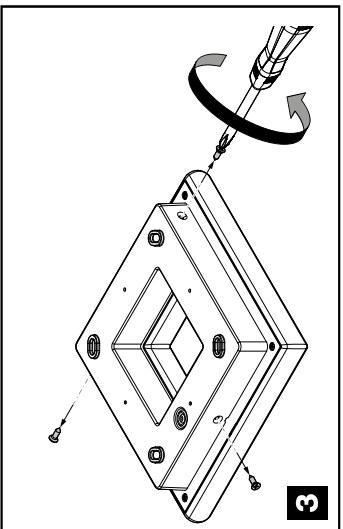
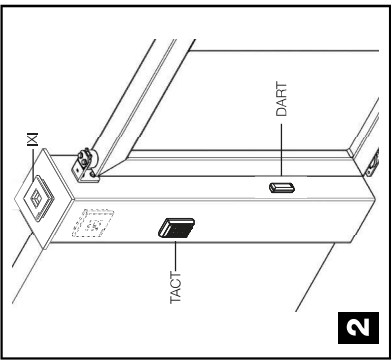
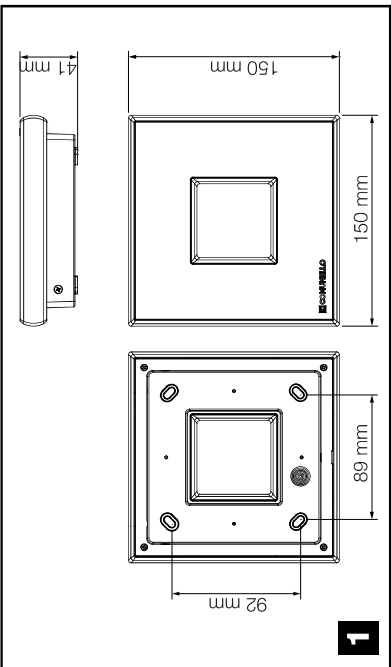
Fratelli Comunello S.p.A. dichiara che i prodotti IXI sono conformi ai requisiti delle Direttive RoHS 2011/65/UE e EMCD 2014/30/UE.
Dichiarazione al link:
<https://bit.ly/comunello-ixi-ce>

Fratelli Comunello S.p.A. declares that IXI products conform to the requirements of the Directives RoHS 2011/65/EU and EMCD 2014/30/EU. Declaration available from the link:
<https://bit.ly/comunello-ixi-ce>

91300397 - Rev.00 | 23-07-2020



ENGLISH



Thank you for choosing a COMUNELLO AUTOMATION product.

This manual provides all the detailed information required for the knowledge and correct use of the equipment. It must be read carefully at the time of purchase and consulted if there are any doubts regarding its use or when maintenance is required.

The manufacturer reserves the right to make any modifications to the item and to this document without prior notice.

⚠ WARNINGS

Please read this manual carefully before beginning installation and carry out the procedures as specified by the manufacturer.

This installation manual is only intended for professional personnel.

Anything not expressly included in these instructions is prohibited.

In particular, your attention should be drawn towards the following warning:

- Check compatibility of the voltage on the board with the signal light.
- Disconnect power before making any electrical connections.
- The light source included in this piece of equipment may only be replaced by the manufacturer or other qualified personnel.
- The power cord may only be replaced by qualified personnel.
- This item is not suitable for mounting on surfaces that are usually flammable.

PRODUCT DESCRIPTION AND INTENDED USE

IXI is an LED beacon used in the automation of gates, sectional doors, overhead doors, barrier systems, etc.

PRELIMINARY CHECKS

- Check that the item inside the packaging is intact and in good condition.
- Ensure that the installation site allows good visibility, even from a distance.
- Ensure that the beacon is secured to a solid foundation and is positioned in a location that is easily accessible for maintenance.

INSTALLATION

The IXI beacon can be installed directly onto a horizontal or vertical surface (Fig. 2).

- Proceed as shown in Figure 3-4.
- Drill holes in the base corresponding to the prearranged areas (see Fig. 5).
- Proceed as shown in Figure 6 using rawlplugs (Ø max 6 mm) and corresponding screws (not included).
- Connect the cables onto the terminals (Fig. 7).

- Insert the cover (Fig. 8).

- Secure the cover with screws (Fig. 9). At the end of both horizontal or vertical installation, seal with silicone along the perimeter, inside and outside the base of the beacon as shown in Fig. 10.

ELECTRICAL CONNECTIONS

Connect the power cable from the control unit to the respective terminal as shown in Figure 7 using the appropriate connector. Polarities may be reversed.

The IXI beacon allows for a coaxial antenna cable (rg58) connection from the control unit, which must be secured to the respective connector on the right side (Fig. 7).

Following the procedure illustrated in figures 11 to 14 the type of light can also be programmed by positioning the jumper (J3):

Positions 1-2 steady.

Positions 2-3, flashing (factory settings).

ELECTRICAL SPECIFICATIONS

Power supply	24Vac / Vdc
LED lamp	24V - 2W
Integrated antenna	Yes
IP protection rating	44

DISPOSAL

A number of components of the item can be recycled while others, such as electronic components, must be disposed of according to the regulations in force in the area of installation.

A number of components may contain pollutants that must not be released into the environment.

