

# ZOOM-Z180 / IR5001PS180 ZOOM-ZMINI / IR5001PSMINI FIRE-F180

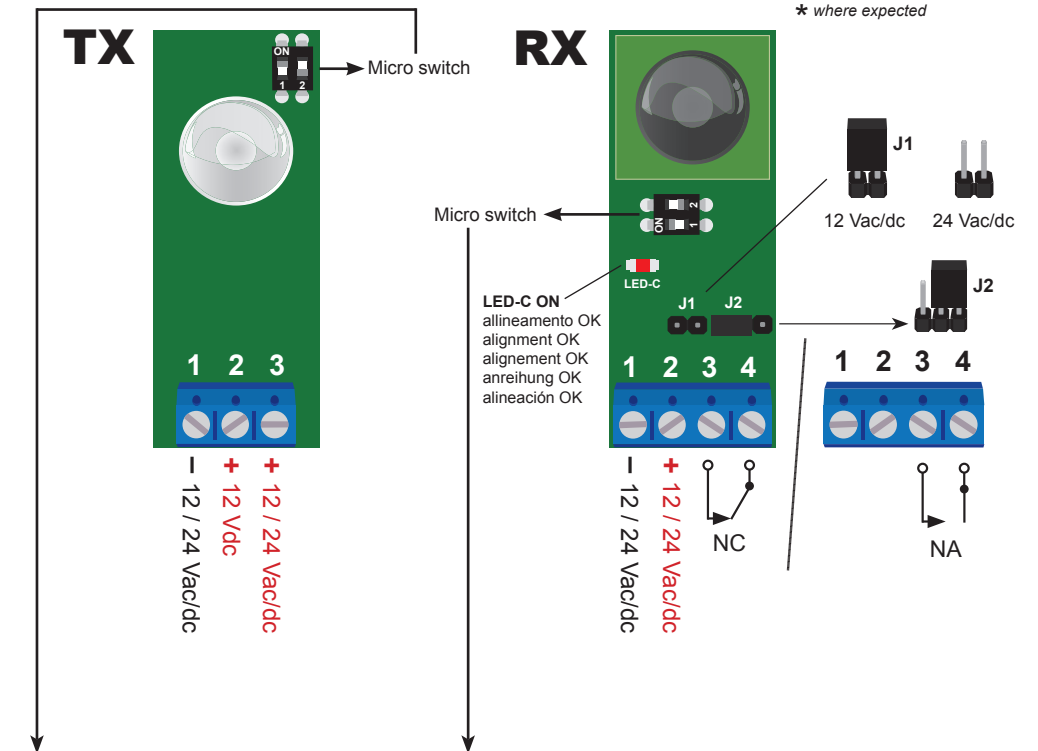
Instructions and warnings

Adjustable infrared photocell 180° new generation



www.in2access.co.uk  
sales@in2access.co.uk  
Tel: 01691 655150

PATENTED



1 ON	activate the synchronisation only
1 OFF	deactivate the synchronisation
2 ON	maximum power
2 OFF	minimum power (avoid reflections)

1 ON	Activate the synchronisation	1 OFF	Deactivate the synchronisation
2 ON	•Deactivate the planing intervention time and you can use the synchronisation		
1 OFF 2 OFF	Planning intervention time of 300mS relè, "snow".		



ZOOM-Z2E



**ZOOM-Z180**  
ZOOM-Z180DBP  
ZOOM-Z180DD



**ZOOM-Zmini**  
ZOOM-ZminiDBP  
ZOOM-ZminiDD



**FIRE-F180**  
FIRE-F180DBP  
FIRE-F180DD  
FIRE-FE



FIRE-PRO



ZOOM-Z1i



ZOOM-Z1iDD



LOOK-FE



ZOOM-LINE90

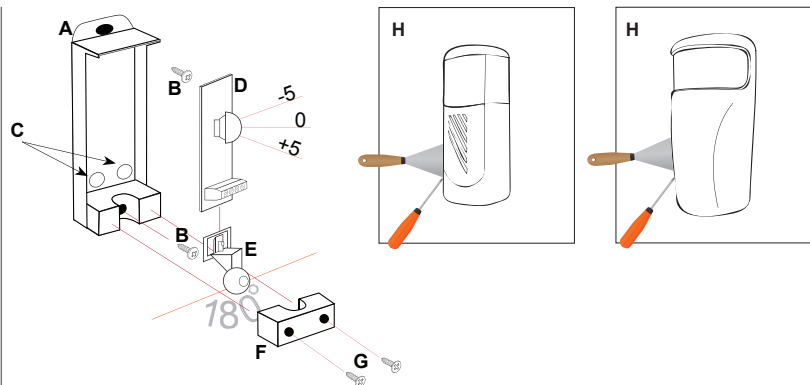


SENSOR-3DD



COLL-C50  
COLL-C100

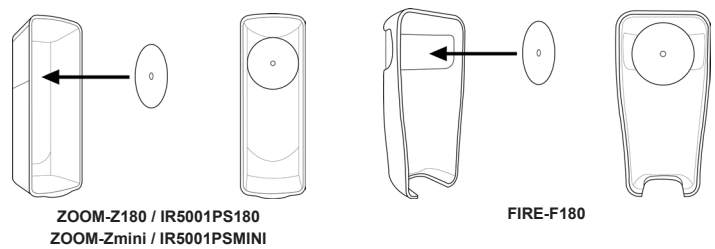
- **GB It is recommended:** TX Micro switch 2-OFF minimum power and apply the adhesive inside the container of the RX photocell, in particular in cases of reflection (floors, walls, and shiny or particularly reflecting surfaces, etc). If using two pairs of photocells simultaneously, for example inside and outside a sliding gate, pay attention on the parallelism to prevent any undesired reflection phenomenon.



- Open the photocell with a screwdriver between the bottom and the wall.

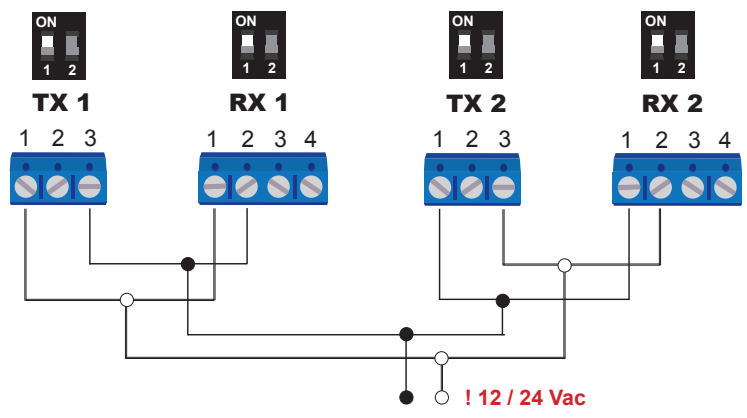
A	fondo	bottom
B	viti fissaggio a parete	wallmount fixing screws
C	fori passaggio fili collegamento	holes passage spin connection
D	circuito stampato	circuit
E	supporto a sfera	sphere support
F	blocco di rotazione	rotating block
G	viti fissaggio blocco di rotazione	fixing screws rotating block
H	coperchio	cover

**Adhesive power Reduction RX**



**synchronisation**

- activate the synchronisation only 12/24Vac



- When you use in AC and the synchronisation is activated, the light receiver remains partially lit.

power supply	Vac/dc	* 13,5 / 24 12 / 24
limit power supply /		18-35 Vdc 15-28 Vac
max. range up	m	20
Operating temperature		- 10 °C + 60 °C
TX power absorption	mA	25
RX power absorption	mA	35
output relay contact		max 500mA e 48Vac/dc
protection	IP	55 EN 60529

EC declaration of conformity /

**ZOOM-Z180  
IR5001PS180**

**ZOOM-Zmini  
IR5001PSMINI**

**FIRE-F180**

complies with the following relevant provisions:

**2004/108/CE, 2006/95/CE**

