



+44 (0)1691 655150



SKU: CP-STOPPER

Stopper for sliding and swing gates

Stopper for swing or sliding gates. Can be configured in three different ways for maximum flexibility during installation.

Specification

Material Stainless steel with rubber stopper

Max supported weight 1600kg

Product



Dimensions

Base plate – 100 x 100 x 4mm

Short pole – 105 x 20 x 20mm

Black stopper – Ø 40mm



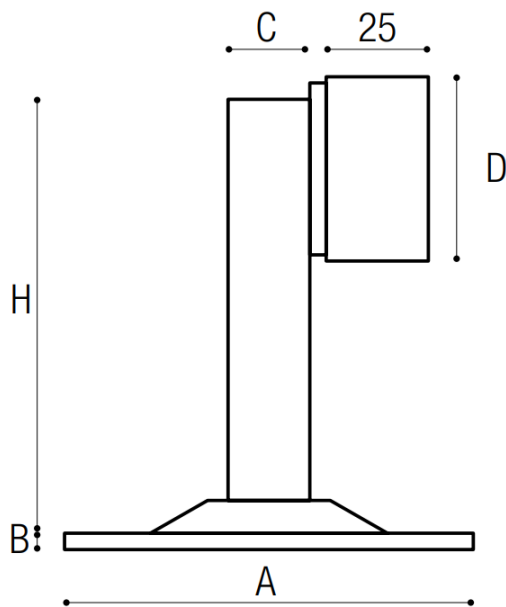
+44 (0)1691 655150



SKU: CP-STOPPER

Stopper for sliding and swing gates

Technical drawings



A	100 x 100 mm
B	4 mm
C	20 x 20 mm
D	∅ 40 mm
H	105 mm

