



+44 (0)1691 655150



SKU: CP-NEXT120S

120Kg Brushless Motor for Swing Door w/ Fixing plate

Designed for internal door applications to automate the opening and closing of swing doors up to 120kg.

Specification

Power supply	115 - 230 Vac 50/60 Hz
Max power	40W
Stand-by power	5W
Max weight of the leaf	120kg
Max width of the leaf	1200mm
Max opening angle	110°
Motor	24Vdc brushless motor with encoder
Max load of external accessories	0.5A 24Vdc
Output for electric lock	Relay with N.O. / N.C. contact
IP Rated	IP32
Operating temp	-15°C +50°C
Opening speed (up to 90 °)	Adjustable from 2 to 12s
Closing speed	Adjustable from 4s to 12s
Pause time	Adjustable from 0.5s to 60s
Operation	Spring-powered closing

Product



Dimensions

Height – 60mm
Width – 520mm
Depth – 76mm



+44 (0)1691 655150



SKU: CP-JMB/KS-3

Three Position Key Switch (hold open/ off/auto) latching

Three Position Key Switch

Specification

Operation	Latching
Supplied with	High impact plastic backbox
Security screws	Allen key type
Contacts	Voltage free contacts
Power	12-24 VDC
IP rated	IP54
Keys	Supplied with 2 keys
Surface	Etched legend

Product



Dimensions

Height – 120mm
Width – 50mm
Depth – 47mm
Weight – (boxed) 250g
Weight – (unboxed) 210g



+44 (0)1691 655150

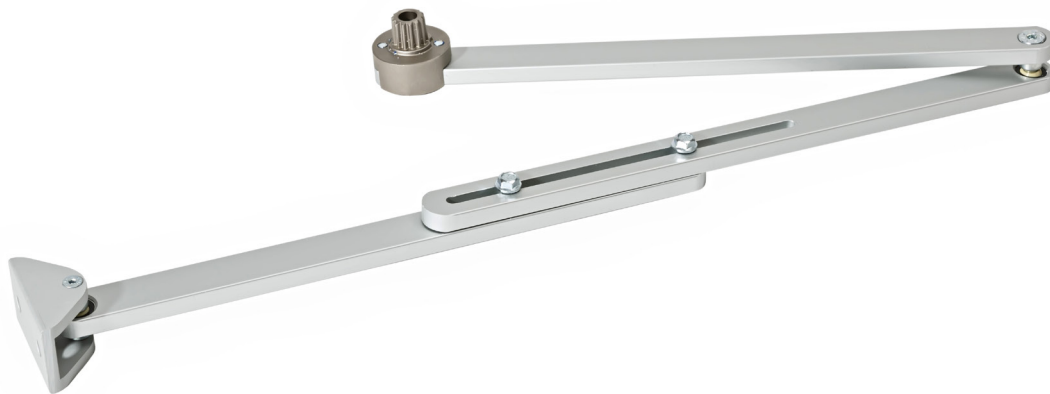


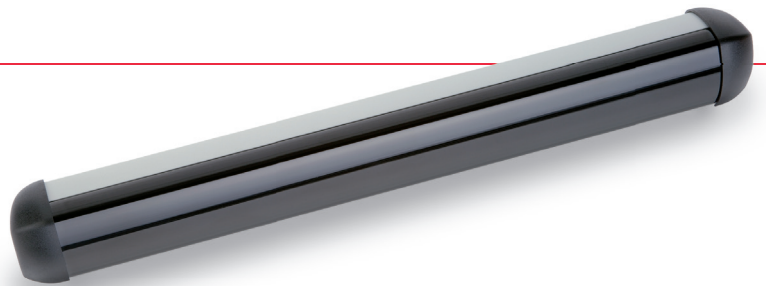
SKU: CP-NEXT120-BAS

Standard Articulated Arm (outswing)

Designed to be used with the CP-NEXT120S motor

Product





UniScan

Infrared presence detector for automatic swing doors and revolving doors in accordance with EN 16005 and DIN 18650

Practical, flexible, slender

- **Fully automated starting up:**
quick and easy via keystroke
- **Automatic mounting height detection:**
saves time and facilitates installation
- **Top design:**
the smallest sensor in its category
- **Individually adjustable AIR points:**
for perfect adaptation to the local situation

UniScan

Active infrared presence detector for automatic swing doors and revolving doors in accordance with EN 16005 and DIN 18650

Highest level of safety for everyday operation

Safety for every entrance – UniScan provides safety wherever people enter and exit every day. UniScan's dense detection field offers the greatest possible protection, even for small children and people with impaired mobility.

Quick and easy installation

UniScan will convince you not only due to its high level of safety, but it also reduces the installation and start up time. All it takes is one keystroke and the device is taught and set – fully automated. Thanks to its slender and elegant design with small dimensions, the sensor is unobtrusive and can also be used when space is at a premium.



Your advantages

Quick installation and starting up

- Several sensors are simply connected by means of a flat cable



- No tools needed to adjust mechanical settings



- Automatic startup at the push of a button, LED display



Connection with flat cable

Adjustment of detection angle

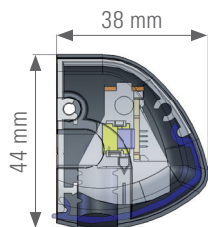
Starting up via keystroke



Universal creation

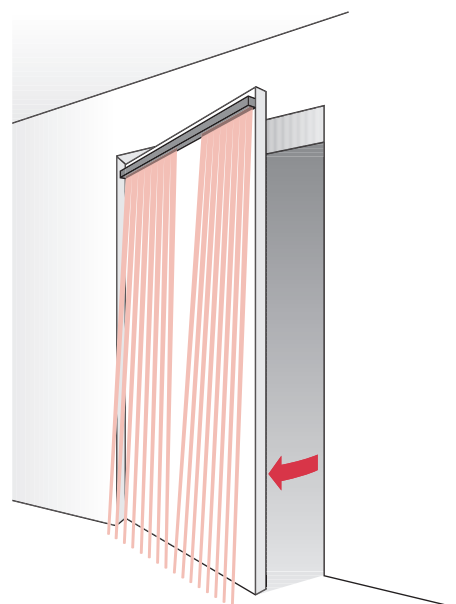
- Testing method can be selected in accordance with the respective drive types
- The detection height above ground can be adjusted between 10 cm and 100 cm
- No interference through synchronisation of the optics
- Individual turning off of single beams

Compact dimensions



Field characteristics for more safety

- Close array of beams (471 x 60 mm at 2.2 m mounting height) with 8 beams and very short reaction time (< 50 ms)
- Mounting height up to 3.0 m
- Power saving mode (DIN 18650-compliant)



Extended accessories



Single components of the UniScan, such as the optical unit US beam and various profiles, are available at all times. An additional remote control enables sensors that have already been installed to be adjusted. The Y-Adapter offers a simple cabling solution with only one cable for two sensors on both sides of the door. The two door loop sets DLP 6 and Door Loop provide a clean connection to the wall.



US beam
Optical unit



RegloBeam 2
Remote control



Y-Adapter
Connection of
two UniScans



Flat cable
Flat cable for
the connection
of US beams



DLP 6 Box
Door loop
set with wall
box



Door Loop
Door loop
set with wall
mounting piece



UniScan door set

Set for security

UniScan is also available as a user-friendly door set.

User-friendly, complete and clear

All components are supplied in a single package: the individual parts are clearly arranged. This provides you with everything you need to secure a door at your fingertips.

Quick installation and startup without tools

The Y-Adapter clips into profile. Thanks to its practical plug-in design, both sides of the door can be connected based on the plug-and-play principle. The profile end covers are also pluggable and can be assembled without tools.



Safety for every application

Situation

Access via a swing door

Solution

- The main and secondary closing edges are monitored on both sides of the door for optimum protection of the entire door swing to avoid collisions
- Due to short reaction time, door movements remain smooth

Advantages

- UniScan perfectly secures all edges
- The matching device for every door: Length and number of sensors can be chosen



Situation

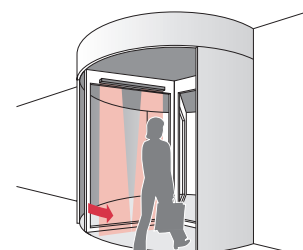
Access via a revolving door

Solution

- An on-board collision protection for revolving doors provides smooth operation and minimises risk of accidents

Advantages

- Persons and objects are detected easily and without contact
- Possible collisions and accidents involving people at the door are thus avoided



Ordering information

Article No.	Description	Sensor / Dimensions	
260012	UniScan I, 350 mm, silver	1	
259970	UniScan I, 350 mm, black	1	
260013	UniScan I, 350 mm, white	1	
256274	UniScan II, 750 mm, silver	2	
256317	UniScan II, 750 mm, black	2	
256296	UniScan II, 750 mm, white	2	
256299	UniScan II, 900 mm, silver	2	
256340	UniScan II, 900 mm, black	2	
256341	UniScan II, 900 mm, white	2	
256859	UniScan II, 1100 mm, silver	2	
256596	UniScan II, 1100 mm, black	2	
256881	UniScan II, 1100 mm, white	2	
257182	UniScan III, 1600 mm, silver	3	
257184	UniScan III, 1600 mm, black	3	
257189	UniScan III, 1600 mm, white	3	
290768	Door set: 2 UniScan II, 1100 mm, silver	2 x 2	
296971	Door set: 2 UniScan II, 1100 mm, black	2 x 2	
296972	Door set: 2 UniScan II, 1100 mm, white	2 x 2	
291030	Door set: 2 UniScan II, 1200 mm, silver	2 x 2	
296973	Door set: 2 UniScan II, 1200 mm, black	2 x 2	
296974	Door set: 2 UniScan II, 1200 mm, white	2 x 2	
256297	US beam Optical unit incl. mounting clips	1	
288879	Y-Adapter		
212354	DLP 6 Box, door loop set Box and door loop tube, length max. 600 mm, inner diameter max. 6 mm, material plastic, colour black		
220535	Door Loop, door loop set Wall adaptor and door loop tube, length max. 600 mm, inner diameter max. 6 mm, material plastic, colour black		
212356	Door Loop, door loop set Wall adaptor and door loop tube, length max. 600 mm, inner diameter max. 6 mm, material metal, colour black		
291082	UniScan cable set Contains Y-Adapter 288879 and door loop set 220535		
213096	Flat cable 500	500 mm	
213097	Flat cable 800	800 mm	
225452	Scan front cover	3350 mm	
219910	Scan silver aluminium profile	3350 mm	
247969	Scan black aluminium profile	3350 mm	
247966	Scan white aluminium profile	3350 mm	
297705	Scan Cap Set black End cover set, black		
297706	Scan Cap Set white End cover set, white		
218810	Holder Beam Universal Mounting clip		
243025	RPT rain cover 17 m roll		
292393	RegloBeam 2 Bidirectional remote control		

Additional products

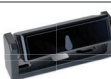
Activates automatic doors

Microwave motion sensor Merkur 2 with electronically adjustable field



Protects primary closing edges in revolving doors

Active infrared sensor SpotScan with detection altitude of up to 3 m



Technical data

Mechanical data

Housing material	Aluminium
Front cover	Plexiglass PMMA (black)
Weight (US beam)	90 g
Measurements (US beam)	300 x 31 x 20 mm
Weight (UniScan II, 1100 mm)	910 g
Type of connection	Plug-in screw terminal

Technological data

Technology	Active infrared (triangulation principle)
Beams	8 per US beam
Power saving mode	5 beams per US beam activated (factory setting)
Mounting height	1.7 – 3.0 m
Field size (at 2.2 m)	471 x 60 mm
Mode of operation	on-board
Reaction time for detection	< 50 ms
Performance Level	PLd, Cat. 2 (EN ISO 13849-1)
Max. number of sensors linked together	4 (with DC supply voltage only)

Electrical data

Supply voltage	15–37 V DC ± 0% 15–26 V AC ± 0%, 50/60 Hz AC only for single device
Making current	Max. 500 mA
Power consumption	Max. 3.3 W (138 mA with 24 V per unit)
Test input	High/Low active, Pull up/Pull down Response time to test signal High level < 30 ms (typical 3 ms) Min. 5 V DC – max. 24 V DC / I = < 6.5 mA
Output	Relay 40 V DC, 40 V AC, 1 A
Relay holding time	0–10 s (adjustable)

Environment conditions

Protection category	IP54 (EN 60529)
Operating temperature	–20°C to +60°C
Atmospheric moisture	Max. 95% relative, non-condensing

Norms

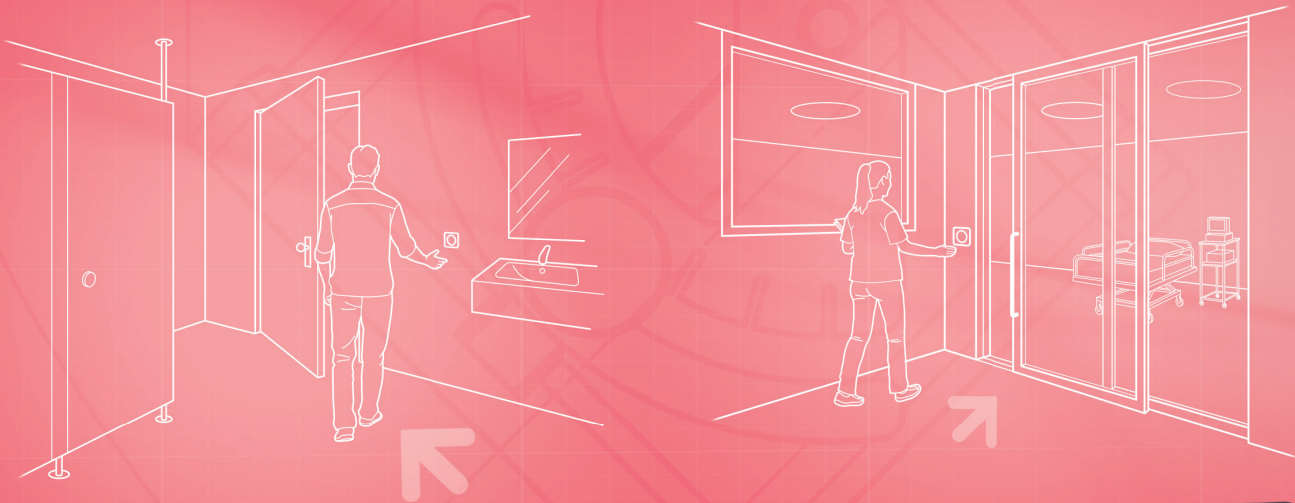
Immission	EN 61000-6-1 EN 61000-6-2
Emission	EN 61000-6-3 EN 61000-6-4
EC type certificate in accordance with	EN 16005 DIN 18650-1 EN 12978 EN ISO 13849-1 EN 61508

Advice

Technical data and recommendations for our products are empirical values and serve as orientation guide for the user. Information given in brochures and data sheets do not guarantee special product characteristics. This does not include special characteristics which, in single cases, we confirm individually or in written form. We reserve the right to make modifications resulting from further technical development.

BBC Bircher Smart Access

Wiesengasse 20
8222 Beringen
Switzerland
Phone +41 52 687 11 11
info@bircher.com
www.bircher.com



CleanSwitch

Contact-free switch for convenient activation of entrances
with strict hygiene and design requirements

Hygienic, attractive, integrable

- Contact-free, hygienic door opening
- Attractive design with visual feedback
- Compatible with standard flush-mounted boxes



reddot design award
winner 2018

www.bircher.com

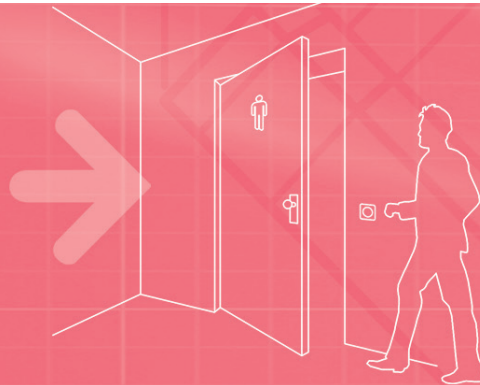
CleanSwitch

Contact-free switch for convenient activation

Hygienic in every application

Any place in which groups of people are found can be a breeding ground for germs and other pathogens. Contact surfaces – and in particular, door handles – are responsible for spreading vast amounts of bacteria and viruses, some of which can pose a real risk to health. This becomes critical when it affects healthcare facilities. Strict hygiene standards are also imposed in the catering industry, as well as other fields in which food is prepared.

CleanSwitch provides a contact-free, hygienic method of opening doors. It works by means of a deliberate hand gesture within the detection range of 10 to 50 centimetres – helping to stop germs in their tracks. Thanks to its attractive design featuring coloured LED feedback, CleanSwitch is an appealing, user-friendly addition to its environment. It takes just a few minutes to get the activation switch up and running and installation can be carried out in any standard flush-mounted box. The highly durable front can be treated using standard surface disinfectants in hospital areas. To ensure that it can be used without any problems in particularly moist or wet environments, CleanSwitch offers reliable protection that meets IP65.



Benefits for you

Hygiene

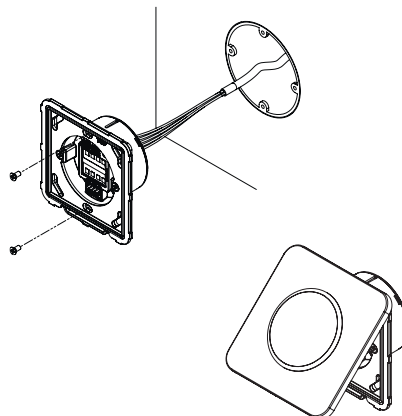
CleanSwitch has been specifically developed for use in buildings subject to strict hygiene requirements, such as healthcare facilities, sanitary areas and the catering industry. It activates entrance points using a contact-free method – a deliberate gesture made by the user – and otherwise keeps doors closed. This helps to prevent the spread of germs. CleanSwitch can also be treated with any standard cleaning agent or disinfectant.

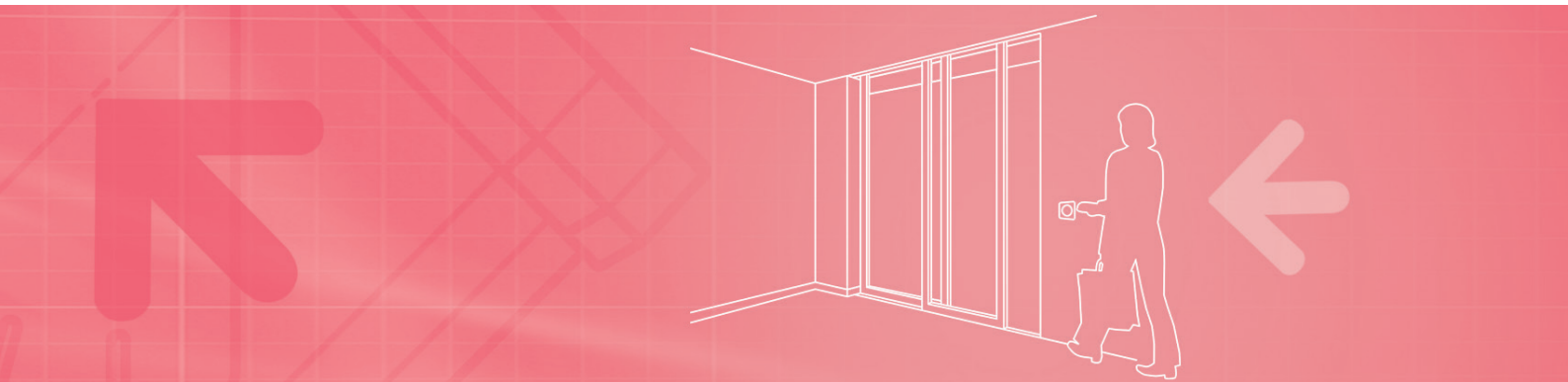
Easy installation

The intelligent way in which the system has been designed ensures it is compatible with all standard flush-mounted boxes. CleanSwitch is extremely quick and easy to install. Set-up of the device is an intuitive process that requires no tools – and the integrated short guide provides a helping hand.

Customising

CleanSwitch's visually appealing, straightforward design can be adapted in a whole range of ways to suit customers' preferences. It takes just a few seconds to change the colour, level of brightness and mode of the optical feedback – without tools. Not only that, but Bircher also supplies a wide selection of pictograms that can be printed onto the front of the device to make it even more user-friendly. Customised pictograms and logos can also be applied on request.





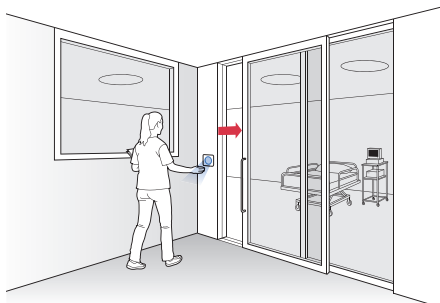
Reliable in every application

Situation

Hospitals, clinics, retirement homes

Solution

- CleanSwitch provides a convenient, contact-free entrance activation method that does away with the need for contact with door handles – which are often contaminated. CleanSwitch can be treated with any standard cleaning agent or disinfectant. The high-contrast LED feedback is easy to identify for people with impaired vision.

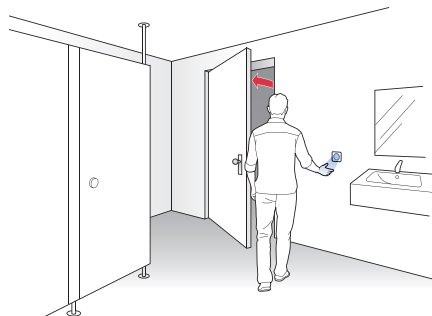


Situation

Public sanitary areas

Solution

- CleanSwitch provides a contact-free method of opening automatic doors to public sanitary areas, and prevents the spread of bacteria and other pathogens.

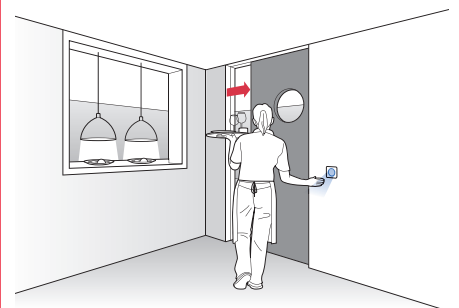


Situation

Catering industry

Solution

- CleanSwitch activates the door by means of a gesture. This means that the entrance to the kitchen is only opened when required – providing service staff with a convenient, hygienic door-opening solution.



Technical data

Mechanical data

Material	ASA / PC
Dimensions	88 × 88 × 38 mm (L × W × D)
Weight	55 g
Connection type	Plug terminals
Colour	White

Electrical data

Operating voltage	12–24 V AC ±10% (50–60 Hz) 12–24 V DC +20%/–10%
Frequency range	50–60 Hz
Power consumption	~ 1 W
Output	Potential-free relay with changeover contact
Max. switching voltage	(DC) 1 A to 30 V, 0.5 A to 60 V (AC) 1 A to 50 V
Max. switching capacity	30 W (DC) / 50 VA (AC)
Output fall-delay time	Relay fall-delay time 0.3 s LED fall-delay time 2 s

Technological data

Technology	Radar
Transmission frequency	24.125 GHz
Detection range	0.1–0.5 m
Detection mode	– Pulse mode: Detector is triggered by movement of hand – Toggle mode: first movement door open / second movement door closed
Detection speed	Min. 5 Hz or ± 3 cm/s Max. 200 Hz or ± 1.2 m/s

Ambient conditions

Protection class	IP65
Storage / operation temperature	–20 °C to +60 °C
Air humidity	< 95% rel., non-condensing

Electromagnetic compatibility standards

Directives	RoHS 2011/65/EU RED 2014/53/EU
Immision	EN 61000-6-2
Emission	EN 61000-6-3

Note

Technical details and recommendations concerning our products are based on experience and are an aid for the orientation of the user. Details stated in our brochures and data sheets do not guarantee special properties of the products. This does not apply to special product properties confirmed by us in writing or individually. Subject to technical alterations.

Configuration

CleanSwitch	/	wt	/	close1
--------------------	---	-----------	---	---------------

Device	Cover	Pictogram
CleanSwitch	wt = white	blank
CleanSwitch Basic	bk = black	close1
CleanSwitch Lock	no = no cover	...

Description

CleanSwitch With optical feedback	
---	--

CleanSwitch Basic Without optical feedback	
--	--

Pictograms Printed on cover	
---------------------------------------	--

CleanSwitch Coverless Device without cover with optical feedback	
--	--

CleanSwitch Basic Coverless Device without cover	
--	--

Components and accessories

Description

Covers Printed						
	blank	close1	open1	close2	open2	close3
White cover	368145	364980	364981	364982	364983	364984
Black cover	371142	371113	371114	371115	371116	371117

	open3	close4	open4	hand wave	hand	wheelchair	lock
	364985	364986	364987	419281	364988	364989	420507
	371118	371127	371128	419284	371140	371141	420509

371199	CleanSwitch surface-mounted box, white IP65	
---------------	---	--

371200	CleanSwitch surface-mounted box, black IP65	
---------------	---	--

412057	HACCP surface-mounted box, white IP65	
---------------	---	--

412056	HACCP surface-mounted box, black IP65	
---------------	---	--

BBC Bircher Smart Access

Wiesengasse 20
8222 Beringen
Switzerland
Phone +41 52 687 11 11
info@bircher.com
www.bircher.com