



Live
technical
support

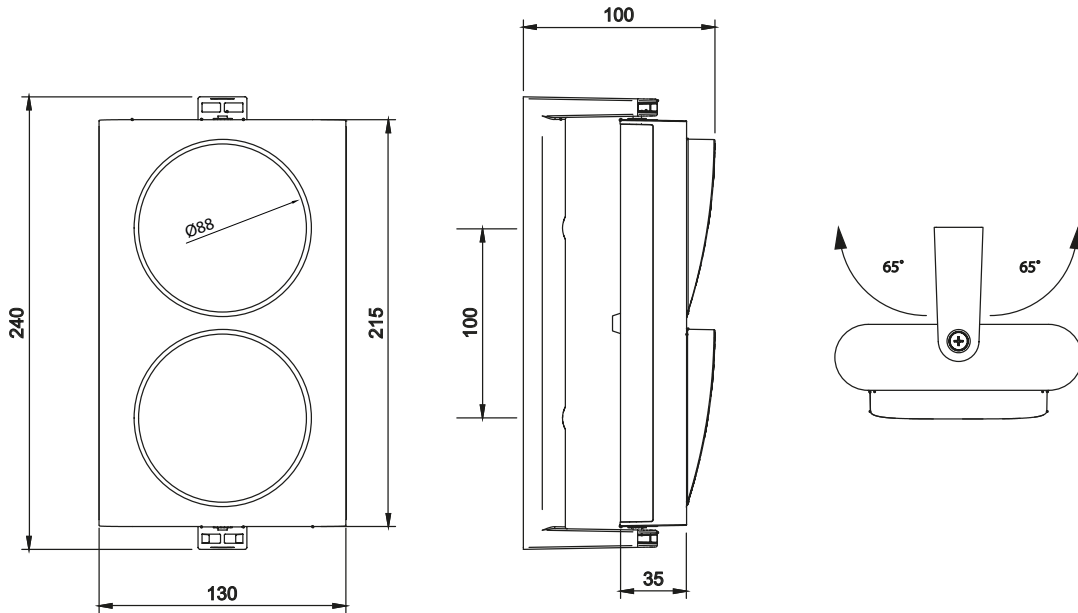
+44 (0)1691 655150



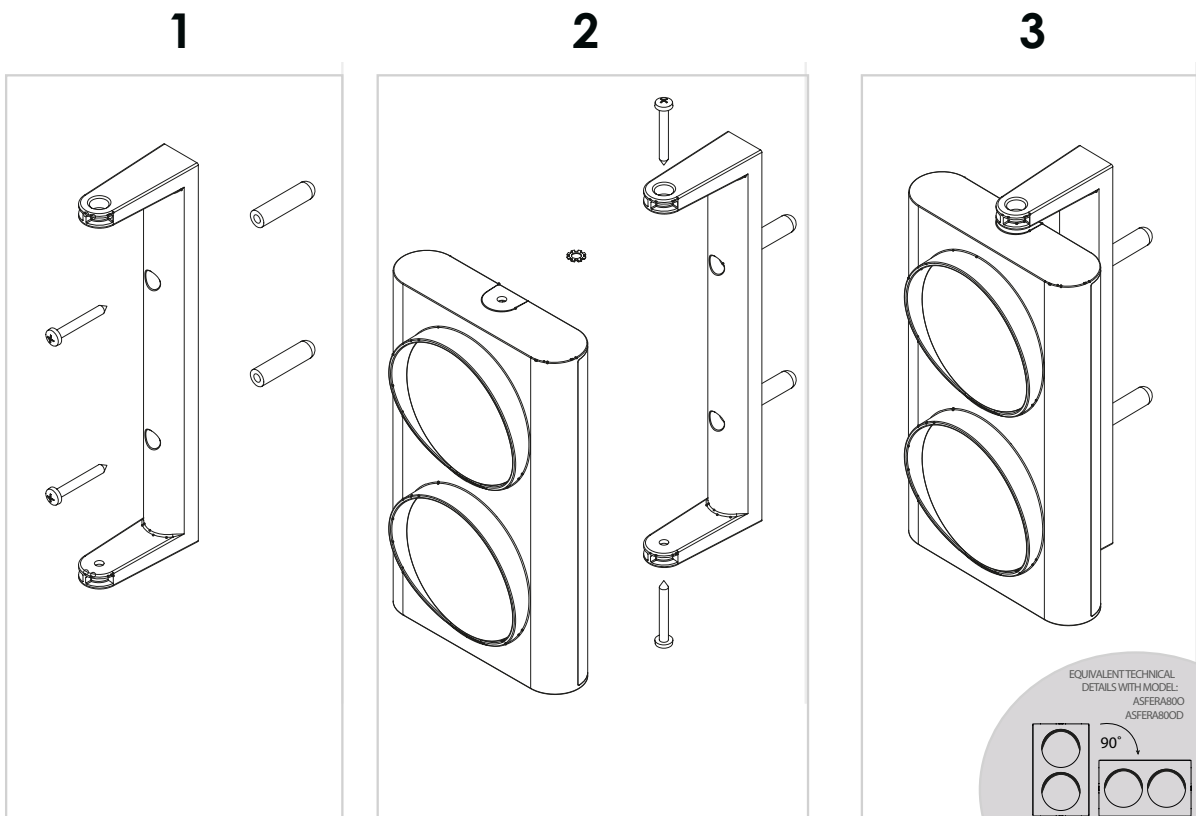
SKU: CP-ASFERA80D

Directional Traffic Light - 24V - Black ECO Plastic Body - Red/Green LED Lens

Dimensions



Wall fixing





Live
technical
support

+44 (0)1691 655150

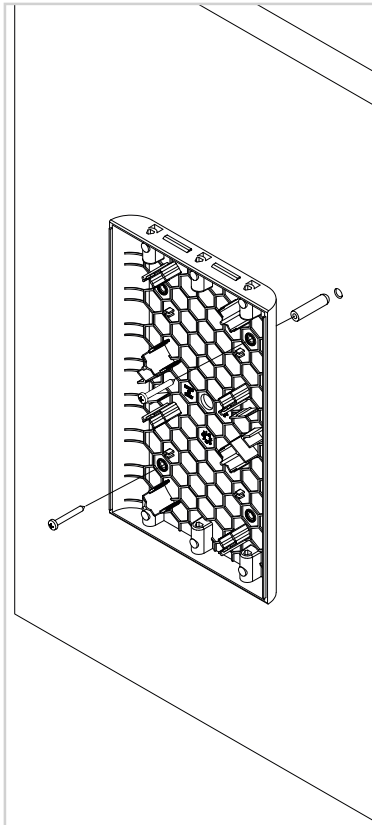


SKU: CP-ASFERA80D

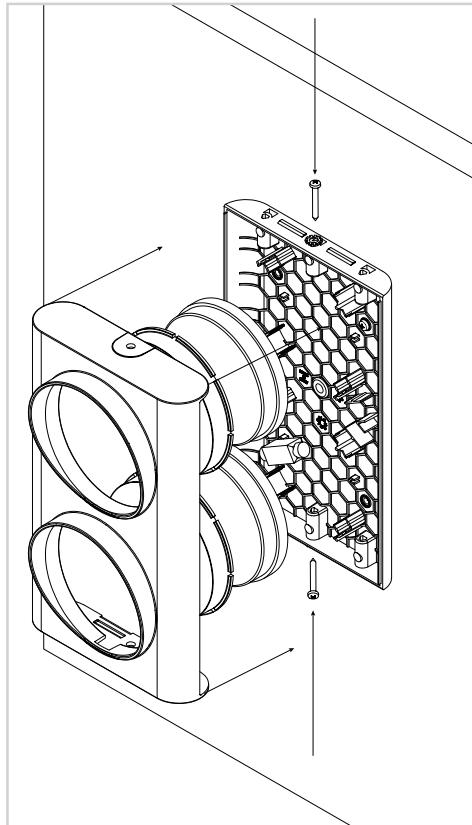
Directional Traffic Light - 24V - Black ECO Plastic Body - Red/Green LED Lens

Wall fixing

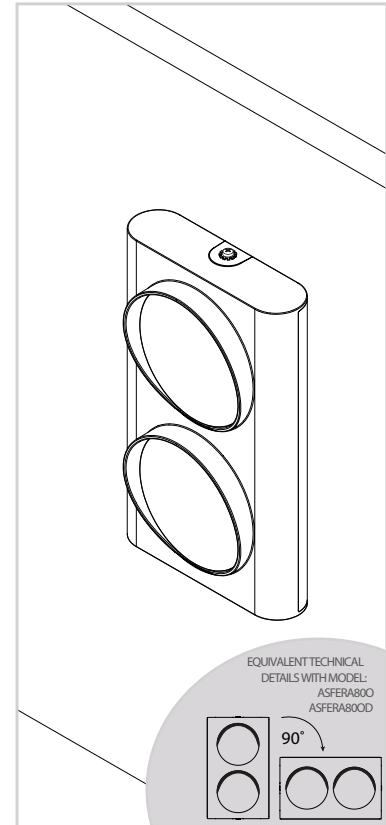
1



2



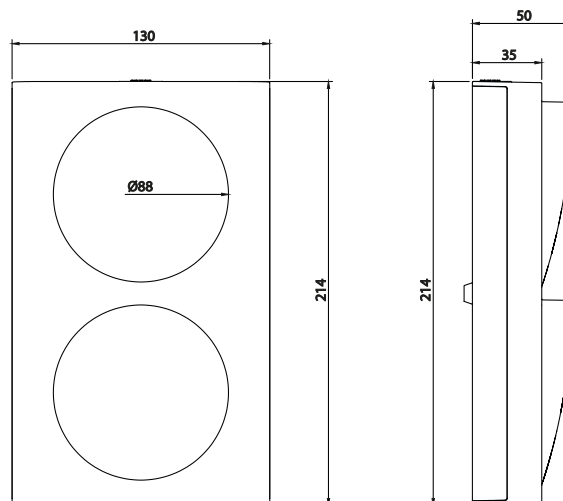
3



EQUIVALENT TECHNICAL
DETAILS WITH MODEL:
ASFERA800
ASFERA800D

90°

Dimension without adjustable bracket





Live
technical
support

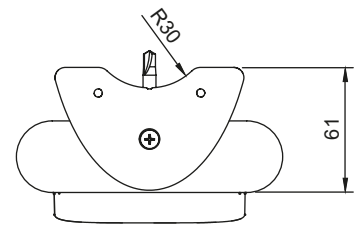
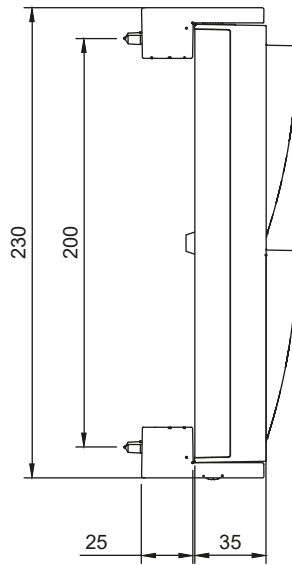
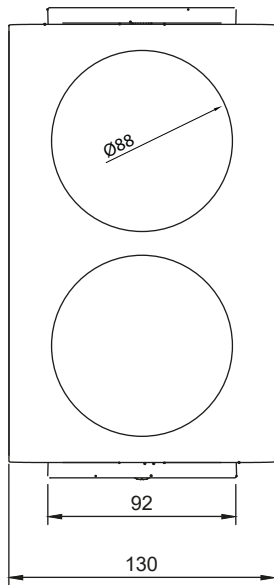
+44 (0)1691 655150



SKU: CP-ASFERA80D

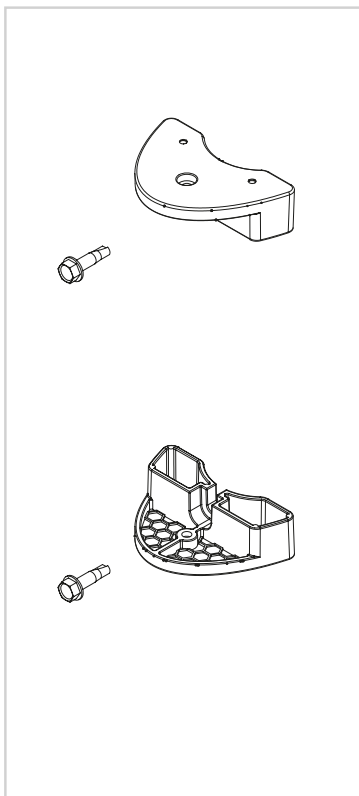
Directional Traffic Light - 24V - Black ECO Plastic Body - Red/Green LED Lens

Traffic light with pole bracket

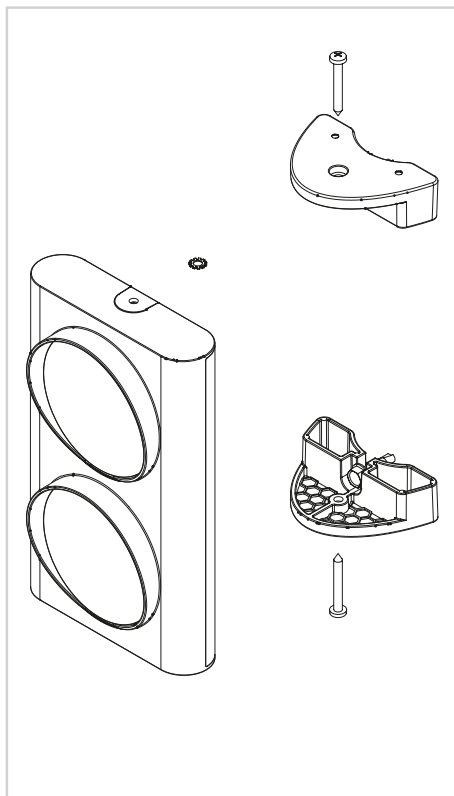


Fixing to pole

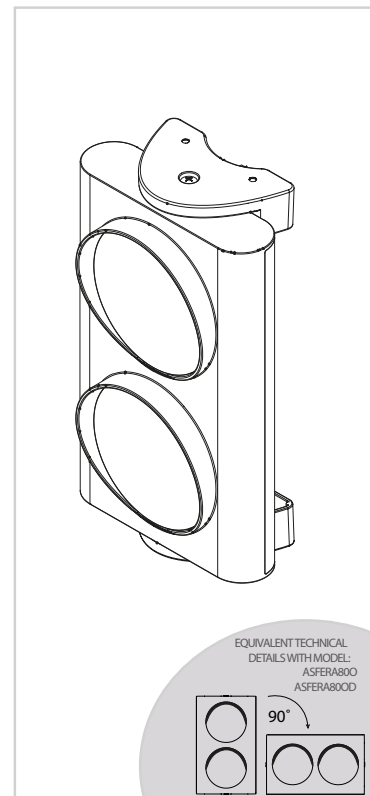
1



2



3





+44 (0)1691 655150



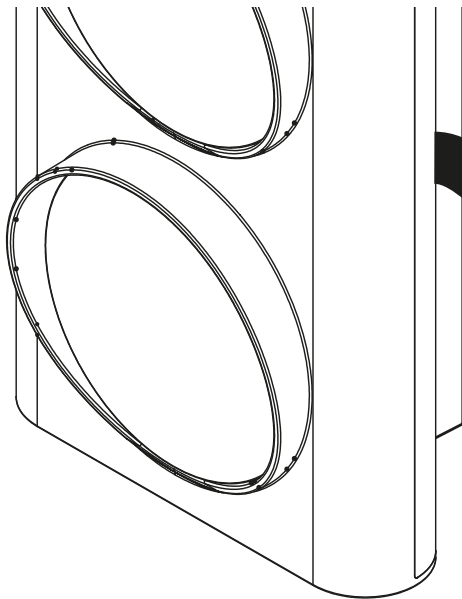
SKU: CP-ASFERA80D

Directional Traffic Light - 24V - Black ECO Plastic Body - Red/Green LED Lens

24v LED board wiring (DC)



Warning! Electrical connections must be made without power supply.



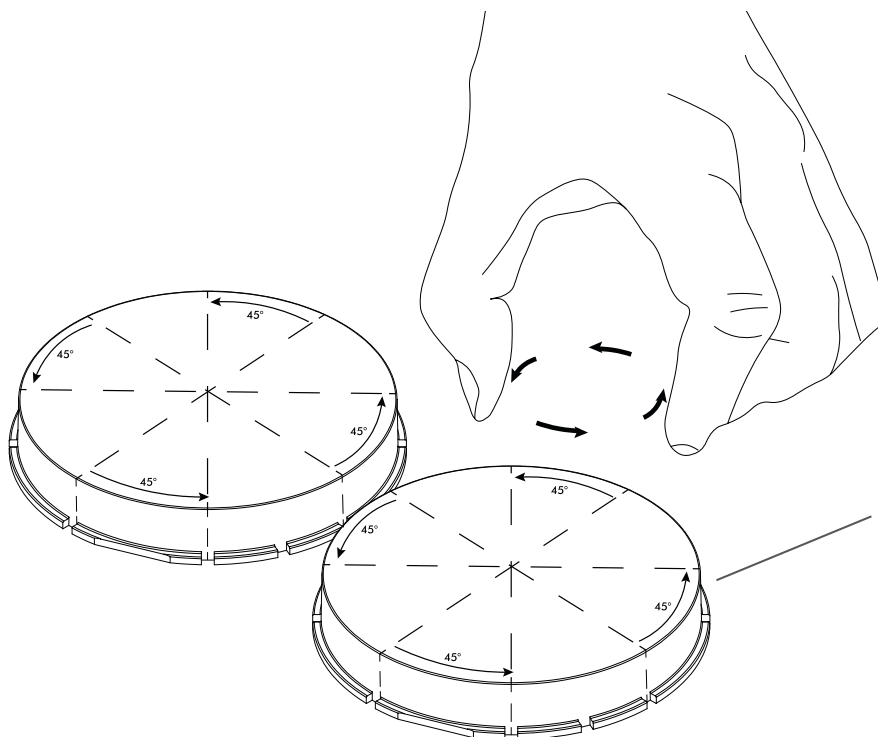
2 Lights
Cable length 1,000mm

Green +24V(AC/DC)

Red +24V(AC/DC)

Common -24V(AC/DC)

Lens rotation



8 adjustment positions



+44 (0)1691 655150



SKU: CP-ASFERA80D

Directional Traffic Light - 24V - Black ECO Plastic Body - Red/Green LED Lens

Safety

- The traffic light can be used outdoors, thanks to its IP56 insulation rating
- Connect the device only to 24V ac/dc sources.
- Switch off all the devices concerned (control unit, system, accessories) before connecting or disconnecting them.
- Do not use the device in an explosive environment.
- Do not use the device near high voltage cables.
- The device or parts of it may overheat during normal operation. Do not touch the device during the operation and let it cool down before changing the printing material and before disassembly.
- Perform only the operations described in this manual. Other operations can only be performed by qualified personnel or service technicians, otherwise they will void the manufacturer's warranty.
- Unauthorised interference with electronic modules or their software may cause faults.
- Other unauthorised operations or modifications to the device may also endanger the safe operation of the device.
- The device has some warning labels to protect the user and, therefore, should not be removed.
- The traffic light is configured for a voltage between 18 and 32 V ac/dc
- Do not place the unit on an unstable surface or support.
- Do not place any object on top of the product.
- Use only the power source indicated on the specifications label.
- Perform only the operations described in this manual. Maintenance on ERA traffic lights must only be carried out by specialised and qualified personnel. **DANGER!** Danger of electrocution DO NOT open the ERA traffic light structure. Contact with the power source can cause serious injury or death.